

METRIC/INCH-POUND

KSC-E-166C
MARCH 20, 2009

Supersedes
KSC-E-166B
June 2, 1994

INSTALLATION AND ASSEMBLY, ELECTRICAL GROUND SUPPORT EQUIPMENT (GSE) SPECIFICATION FOR

EAR 99 – NO LICENSE REQUIRED

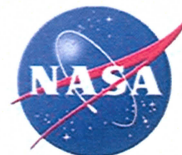
The information contained in the document is technical in content, but not technical data as defined by the International Traffic in Arms Regulations (ITAR) or the Export Administration Regulations (EAR), and therefore is **EAR 99 NLR, no export license required**, suitable for public release. [General Prohibition Six (Embargo) applies to all items subject to the EAR, i.e. items on the CCL and within EAR 99 NLR. You may **not** make an export or re-export contrary to the provisions of part 746 (Embargos and Other Special Controls) of the EAR and 22 CFR part 126.1 of the ITAR.]. KSC EDDR #09203.

ENGINEERING DIRECTORATE

National Aeronautics and
Space Administration

John F. Kennedy Space Center

KSC FORM 16-12 (REV. 6/95) PREVIOUS EDITIONS ARE OBSOLETE (CG 11/95)



METRIC/INCH-POUND

KSC-E-166C
MARCH 20, 2009Supersedes
KSC-E-166B
June 2, 1994NASA KSC Export Control Office (ECO)
Export/SBU Determination RecordEDDR# 09203

Title of Document: Installation and Assembly, Electrical Ground Support Equipment, Specification For KSC-E-166C March 20, 2009		
SENSITIVE BUT UNCLASSIFIED (SBU) INSTRUCTIONS: This item must be reviewed under the requirements for "Sensitive But Unclassified Information" as described in NPR 1600.1, Chapter 5 http://nodis-dms.gsfc.nasa.gov Material that is export-sensitive is automatically considered to contain SBU and does not require an SBU Reviewer signature. Material that is <u>not</u> export-sensitive must be reviewed for SBU as required per NASA Form 1686.		
	Yes	No
<i>Document contains SBU?</i>	<input type="checkbox"/>	<input checked="" type="checkbox"/>
<i>SBU Reviewer's Signature</i>		<i>Date</i>
CLARENCE RANOW (3/19/2009)		03/19/2009
EXPORT CONTROL (EC) INSTRUCTIONS: If the document includes export-controlled data, contact your directorate Export Control Representative or the KSC ECO Help Desk (867-9209) for a determination of the proper export category. http://exportcontrol.ksc.nasa.gov/		
<i>ECO Reviewer's Name and Organization</i>		<i>ECO Reviewer's Signature</i>
C. Wayne Ranow, NASA, KSC ECO		CLARENCE RANOW (3/19/2009)
<i>Date</i>		03/19/2009
	EXPORT DETERMINATION <i>(Check one box only)</i>	
EAR 99 NLR (No EC)	<input checked="" type="checkbox"/>	The information contained in the document is technical in content, but is not technical data as defined by the ITAR or the EAR, and therefore is EAR 99 NLR (no export license required). [General Prohibition Six (Embargo) applies to all items subject to the EAR, i.e. items on the CCL and within EAR 99 NLR. You may not make an export or re-export contrary to the provisions of part 746 (Embargos and Other Special Controls) of the EAR and 22 CFR part 126.1 of the ITAR.]
EAR Controlled	<input type="checkbox"/>	This document is within the purview of the Export Administration Regulations (EAR), 15 CFR 730-774, and is export controlled. It may not be transferred to foreign nationals in the U.S. or abroad without specific approval of a knowledgeable NASA export control official, and/or unless an export license or license exception is obtained/available from the Bureau of Industry and Security, United States Department of Commerce. Violations of these regulations are punishable by fine, imprisonment, or both.
ITAR Controlled	<input type="checkbox"/>	This document contains information which falls under the purview of the U.S. Munitions List (USML), as defined in the International Traffic in Arms Regulations (ITAR), 22 CFR 120-130, and is export controlled. It shall not be transferred to foreign nationals, in the U.S. or abroad, without specific approval of a knowledgeable NASA export control official, and/or unless an export license or license exemption is obtained/available from the United States Department of State. Violations of these regulations are punishable by fine, imprisonment, or both.

METRIC/INCH-POUND

KSC-E-166C
MARCH 20, 2009

Supersedes
KSC-E-166B
June 2, 1994

**INSTALLATION AND ASSEMBLY, ELECTRICAL
GROUND SUPPORT EQUIPMENT (GSE),
SPECIFICATION FOR**

Approved by:



Patrick A. Simpkins, D.B.A.
Director, Engineering Directorate

JOHN F. KENNEDY SPACE CENTER, NASA

CONTENTS

1.	SCOPE	1
2.	APPLICABLE DOCUMENTS	1
2.1	Governmental.....	1
2.1.1	Specifications.....	1
2.1.2	Standards.....	2
2.1.3	Drawings.....	3
2.1.4	Other Publications.....	3
2.2	Non-Governmental	3
3.	REQUIREMENTS.....	5
3.1	Conformance.....	5
3.2	Materials and Equipment	5
3.3	Drawings.....	6
3.4	Packing, Handling, and Transportation	6
3.4.1	Cable Tray Handling, Transportation, and Storage	6
3.4.2	Wire and Cable Handling, Transportation, and Storage.....	7
3.5	Equipment Identification	8
3.6	Cable and Wire Identification.....	8
3.7	Workmanship.....	8
3.8	Positioning of Equipment	9
3.9	Accessories	9
3.10	Wire and Cable	9
3.11	Installation.....	10
3.11.1	Rigid Steel Conduit.....	10
3.11.1.1	Number and Size of Bends	10
3.11.1.2	Fastening of Joints	10
3.11.1.3	Pull Wires and Concealed Installations	11
3.11.1.4	Conduit Runs and Securing	11
3.11.2	Electrical Metallic Tubing (EMT)	12
3.11.3	Flexible Metal Conduit (FMC) and Liquidtight Flexible Metal Conduit (LFMC).....	12
3.11.4	Cable Trays	12
3.11.4.1	Cable Tray Penetrations.....	13
3.11.5	Equipment Racks and Enclosures.....	16
3.11.6	Wire and Cable	16
3.11.7	Penetrations.....	20
3.11.8	Terminal Distributors (TDs).....	22
3.12	Grounding	23
3.12.1	Grounding of Wire and Cable Shields.....	25
3.12.1.1	Overall Shields.....	26

KSC-E-166C
March 20, 2009

3.12.1.2	Internal/Individual Shields.....	26
3.12.1.3	Current-Carrying Shields.....	26
3.12.2	Grounding of Cable Trays.....	26
3.12.3	Grounding of Equipment Racks.....	28
3.13	Touchup and Cleanup.....	30
4.	QUALITY ASSURANCE PROVISIONS.....	30
5.	PREPARATION FOR DELIVERY.....	30
6.	NOTES.....	30
6.1	Intended Use.....	30
6.2	Definitions.....	31
6.3	Notice.....	31
APPENDIX A.	SAMPLE INSPECTION CHECKLIST.....	33
APPENDIX B.	DESIGN ENGINEERING CHECKLIST.....	37

FIGURES

Figure 1.	Cable Tray Handling and Transportation.....	7
Figure 2.	Examples of Cable Tray Installations (Sheet 1 of 2).....	14
Figure 3.	Vertical Cable Tray Penetration (Fire-Stopping Material Not Shown).....	16
Figure 4.	Firestop System (left) and Firestop Mortar (right).....	22
Figure 5.	Typical Bond Configurations Implemented With an Exothermic Process.....	24
Figure 6.	Implementing Overall Shield Grounding.....	26
Figure 7.	Installation of Cable Tray Grounds.....	27
Figure 8.	Typical Bonding Scheme for Racks/Enclosures.....	28
Figure 9.	Equipment Enclosure, Panel, and Cable Tray Grounding/Bonding Configuration.....	29
Figure 10.	Bonding of Connector to Mounting Surface of Rack/Enclosure.....	29

TABLES

Table 1.	EMC Circuit Classification.....	18
Table 2.	EMC Routing Guidelines (Redundant Circuits Shown).....	19
Table 3.	Edge-to-Edge Bundle Separation Requirements.....	20
Table 4.	Redundancy Separation Requirements.....	20
Table 5.	Metal Connections.....	24

ABBREVIATIONS, ACRONYMS, AND SYMBOLS

AC	alternating current
ACBM	asbestos-containing building materials
Al	aluminum
AMIS	Asbestos Management Information System
ANSI	American National Standards Institute
ASTM	American Society for Testing and Materials
AWG	American Wire Gauge
BWAD	bridge-wire-activated device
CFR	Code of Federal Regulations
CID	circuit isolation device
c	centi (1×10^{-2})
Cu	copper
CxP	Constellation Program
DC	direct current
DIN	Deutsche Institute von Normen (i.e., German Institute of Standards)
DN	diameter nominal
DOD	Department of Defense
DWV	dielectric withstanding voltage
E ³	electromagnetic environmental effects
EGC	equipment grounding conductor
EGSE	electrical ground support equipment
EIA	Electronic Industries Alliance
EMC	electromagnetic compatibility
EMT	electrical metallic tubing
FED	Federal
FMC	flexible metal conduit
FOD	foreign-object debris
ft	foot
GSE	ground support equipment

KSC-E-166C
March 20, 2009

HDBK	handbook
HDGAF	hot-dipped galvanized after fabrication
Hz	hertz
in	inch
IR	insulation resistance
kHz	kilohertz
KNPR	Kennedy NASA Procedural Requirement
KSC	John F. Kennedy Space Center
LFMC	liquidtight flexible metal conduit
LTL	less than truckload
m	meter, milli (1×10^{-3})
M	mega (1×10^6)
Mg	magnesium
MI	mineral-insulated
MIL	military
MPG	multiple point ground
MS	military specification
NASA	National Aeronautics and Space Administration
NEC	National Electrical Code
NEMA	National Electrical Manufacturers Association
NFPA	National Fire Protection Association
Ni	nickel
OSHA	Occupational Safety and Health Administration
Pa	pascal
Pb	lead
PLC	programmable logic controller
PRF	performance specification
PVC	polyvinyl chloride
RF	radio frequency
s	second
SAE	Society of Automotive Engineers

KSC-E-166C
March 20, 2009

Sn	tin
SPEC	specification
STD	standard
TD	terminal distributor
TW	twisted
TWDS	twisted double shielded
TWS	twisted shielded
UFGS	Unified Facilities Guide Specifications
UL	Underwriters Laboratories Inc.
V	volt
VDC	volts direct current
μ	micro (1×10^{-6})
Ω	ohm

KSC-E-166C
March 20, 2009

This page intentionally left blank

KSC-E-166C
March 20, 2009

**INSTALLATION AND ASSEMBLY,
ELECTRICAL GROUND SUPPORT EQUIPMENT (EGSE),
SPECIFICATION FOR**

1. SCOPE

This specification covers the general workmanship requirements and procedures for the complete installation and assembly of electrical ground support equipment (EGSE) such as terminal distributors, junction boxes, conduit and fittings, cable trays and accessories, interconnecting cables (including routing requirements), motor-control equipment, and necessary hardware as specified by the applicable contract and drawings. Where a conflict between engineering documents and this specification occurs, the engineering document shall have precedence.

2. APPLICABLE DOCUMENTS

The following documents form a part of this document to the extent specified herein. When this document is used for procurement, including solicitations, or is added to an existing contract, the specific revision levels, amendments, and approval dates of said documents shall be specified in an attachment to the solicitation/statement of work/contract.

2.1 Governmental

2.1.1 Specifications

Federal

NASA-16145S	Unified Facilities Guide Specifications: Standard Wiring Systems
UFGS-13 50 00.00 40	Unified Facilities Guide Specifications: Special Instrumentation

John F. Kennedy Space Center (KSC), NASA

GP-435, Volume I	Engineering Drawing Practices, Volume I of II: Aerospace and Ground Support Equipment
KSC-E-165	Electrical Ground Support Equipment Fabrication, Specification for
KSC-SPEC-E-0002	Modular Enclosures (Cabinets, Consoles) and Accessories, Radio Frequency Interference Shielded, Specification for

KSC-E-166C
March 20, 2009

KSC-SPEC-E-0020 AC Power Cable, Mineral-Insulated, 600-Volt,
60-Hertz, Procurement of, Specification for

Military

MIL-DTL-12000 Cable, Cord, and Wire, Electric, Packaging of

MIL-PRF-680 Degreasing Solvent

2.1.2 Standards

Federal

FED-STD-595 Colors Used in Government Procurement

John F. Kennedy Space Center (KSC), NASA

CxP 72274 Ground Systems Electromagnetic Environmental
Effects (E³) Requirements Document

KSC-STD-E-0002 Hazardproofing of Electrically Energized Equip-
ment, Standard for

KSC-STD-E-0009 Cable Numbering, Outside Plant Communication
System, Standard for

KSC-STD-E-0012 Bonding and Grounding

KSC-STD-E-0015 Marking of Ground Support Equipment

Military

MIL-STD-171 Military Standard: Finishing of Metal and Wood
Surfaces

MIL-STD-2073 Military Standard: DOD Materiel, Procedures for
Development and Application of Packaging Re-
quirements

National Aeronautics and Space Administration (NASA)

NASA-STD-5005 Standard for the Design and Fabrication of Ground
Support Equipment

2.1.3 DrawingsJohn F. Kennedy Space Center (KSC), NASA

79K06110

Procedure for MI Cable Termination

(Copies of specifications, standards, drawings, and publications required by suppliers in connection with specific procurement functions should be obtained from the procuring activity or as directed by the contracting officer.)

2.1.4 Other PublicationsJohn F. Kennedy Space Center (KSC), NASA

KNPR 1840.19

KSC Industrial Hygiene Programs

KNPR 6000.1

Requirements for Packaging, Handling, and Transportation for Aeronautical and Space Systems, Equipment, and Associated Components

Military

MIL-HDBK-419

Military Handbook Grounding, Bonding, and Shielding for Electronic Equipments and Facilities

MIL-HDBK-1857

Handbook for Grounding, Bonding, and Shielding Design Practices

Occupational Safety and Health Administration (OSHA)

29 CFR 1910

Occupational Safety and Health Standards

29 CFR 1926

Safety and Health Regulations for Construction

2.2 Non-GovernmentalAmerican National Standards Institute (ANSI)

ANSI C80.1

Rigid Steel Conduit, Zinc Coated

ANSI C80.3

Electrical Metallic Tubing, Zinc Coated

American Society for Testing and Materials (ASTM)

ASTM A123

Standard Specification for Zinc (Hot-Dip Galvanized) Coatings on Iron and Steel Products

KSC-E-166C
March 20, 2009

ASTM A653	Standard Specification for Steel Sheet, Zinc-Coated (Galvanized) or Zinc-Iron Alloy-Coated (Galvannealed) by the Hot-Dip Process
ASTM B633	Standard Specification for Electrodeposited Coatings of Zinc on Iron and Steel
ASTM D2301	Standard Specification for Vinyl Chloride Plastic Pressure-Sensitive Electrical Insulating Tape
ASTM E119	Standard Test Methods for Fire Tests of Building Construction and Materials
ASTM E814	Standard Test Method for Fire Tests of Penetration Firestop Systems

Electronic Industries Alliance (EIA)

EIA-310	Cabinets, Racks, Panels, and Associated Equipment
---------	---------------------------------------------------

National Electrical Manufacturers Association (NEMA)

NEMA VE 1	Metal Cable Tray Systems
NEMA VE 2	Cable Tray Installation Guidelines

National Fire Protection Association (NFPA)

NFPA 70	National Electrical Code (NEC)
NFPA 70E	Standard for Electrical Safety in the Workplace
NFPA 101	Life Safety Code
NFPA 251	Standard Methods of Tests of Fire Resistance of Building Construction and Materials

Society of Automotive Engineers (SAE)

SAE AS8660	Silicone Compound
------------	-------------------

Underwriters Laboratory (UL)

UL 263	UL Standard for Safety Fire Tests of Building Construction and Materials
UL 514B	UL Standard for Safety Conduit, Tubing, and Cable Fittings
UL 1479	UL Standard for Safety Fire Tests of Through-Penetration Firestops

3. REQUIREMENTS**3.1 Conformance**

The installation shall conform to the applicable mandatory rules (those characterized by the word “shall”) of NFPA 70, except where the specifications or drawings specifically exceed the requirements of NFPA 70; in addition, all requirements of 29 CFR 1910 shall be mandatory for all installations and equipment covered by these specifications. NASA-STD-5005 shall also be followed where applicable. Adherence to 29 CFR 1926 and NFPA 70E is also mandatory. Numerous KSC and military specifications are also referenced in this document and shall be adhered to as well. Any deviations from the conformance requirements set forth herein shall be subject to review and disposition by the Engineering Directorate or through the engineering review process.

3.2 Materials and Equipment

The installation and assembly drawings and specifications include manufacturers’ catalog numbers to establish grade and quality; design details are based on the material specified. Material of other manufacturers shall not be substituted unless such items are approved by the contracting officer. All materials shall be handled carefully in order to prevent damage to surfaces and protective finishes. Materials shall not be stored unprotected in the environment nor be allowed to come into contact with corrosive atmospheres. Materials shall not be walked on, nor shall carts with casters or wheeled vehicles be moved over their surfaces. Materials shall not be stored in such a manner nor placed on any surface that could mar the surface or protective finish. All materials shall be free from defects and imperfections. There shall be no cuts, marks, abrasions, or cracks in the surface. When any defects and imperfections exist, the material shall be repaired or replaced at the direction of the contracting officer.

KSC-E-166C
March 20, 2009

3.3 Drawings

The drawings indicate the extent and general arrangement of the conduit, equipment, and distribution systems. When dimensions are not indicated on the drawings, the location or measurements shall be determined on the job by the contractor after consultation with the Engineering Directorate. Any drawing changes, deletions, or noncompliance with engineering drawing requirements shall be approved by the Engineering Directorate before they are implemented.

3.4 Packing, Handling, and Transportation

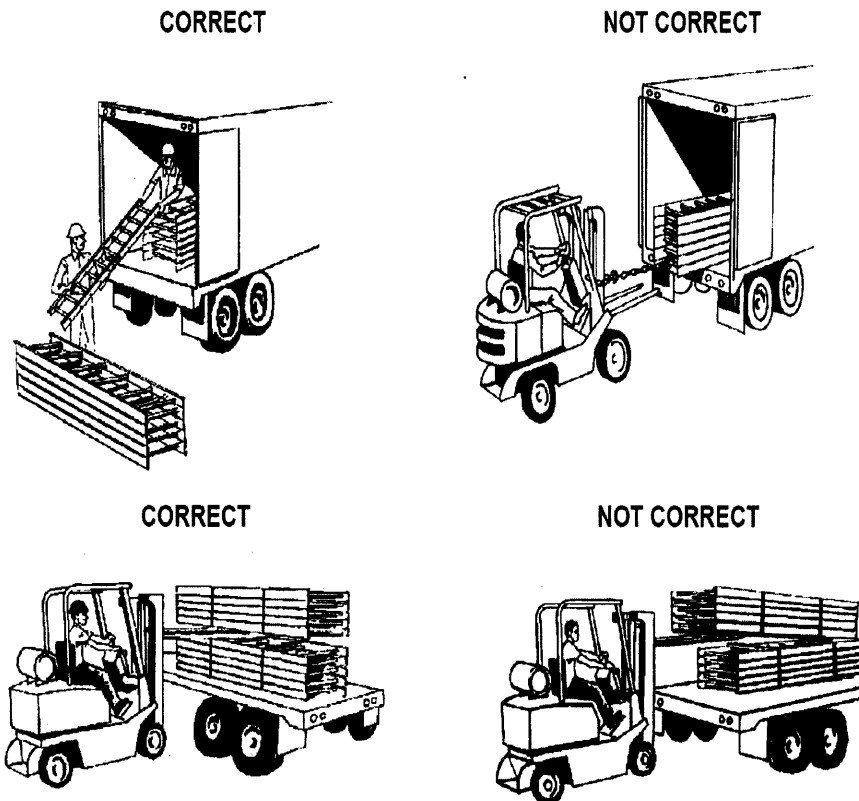
All ground support equipment (GSE) parts and equipment shall be packaged, marked, handled, shipped, and stored in accordance with KNPR 6000.1 and as specified in applicable contracts. It shall be the responsibility of the contractor to transport, handle, and place all material and equipment as directed. The contractor shall take any necessary steps to protect equipment from being damaged during delivery and storage.

3.4.1 Cable Tray Handling, Transportation, and Storage

According to NEMA VE 2, a cable tray is generally bundled and shipped via motor freight, except for export shipments that could be crated or loaded in containers. Accessories and small components shall be boxed and/or placed on skids. Cable trays shall be shipped via enclosed van trailer or flatbed trailer. Van trailers are normally used for less-than-truckload (LTL) shipments. This method of shipment is most common and cost-effective and offers maximum protection from the weather during shipment. LTL shipments shall be unloaded by hand unless arrangements have been made with the cable tray manufacturer for unloading with a forklift. Flatbed trailers shall be used for full truckload shipments and when customers want unloading to be done by side forklift or by crane using a sling. (Special care must be exercised when using slings so that the cable tray is not crushed by using the crane improperly.) Small- to medium-size orders, i.e., less than 600 meters (m) (2,000 feet [ft]), are generally shipped via common carrier-LTL in enclosed vans. When unloading, workers shall wear gloves. To prevent damage to the cable tray, the cable tray shall never be pulled from the truck trailer by chaining it to the bottom rung and dragging it out of the trailer. Figure 1 illustrates the proper handling of cable trays. All items shall be inventoried immediately after unloading, using the manufacturer's packing list. Any shortage or shipping damage shall be noted on the bill of lading. This information is needed in the event it is necessary to file a freight claim. Steel, aluminum, and stainless steel cable tray and fiberglass or other nonmetallic cable trays that are hot-dipped galvanized after fabrication (HDGAF) (see ASTM A123) can be stored outside without a cover, but they shall be loosely stacked, elevated off the ground, and ventilated to prevent them from being stained while in storage. If appearance is important, the cable tray shall be stored indoors to prevent water or other foreign materials from staining or adhering to it. A mill-galvanized cable tray (see ASTM A653) or one that is electro-galvanized (see ASTM B633) must be protected or stored in a well-ventilated, dry location. To prevent surface rust, a bare steel cable tray shall be given a protective coating as soon as possible in accordance with NEMA VE 2 and NFPA 70, Article 300.6. A painted cable tray or one made of polyvinyl chloride (PVC) shall be protected and stored indoors if possible. The finish on the cable tray must be protected from being scratched or and marred.

KSC-E-166C
March 20, 2009

Small accessories shall be stored to prevent them from being lost. Cable trays shall be stored away from high traffic areas. Cable trays shall be stacked according to their width and type.



*Except when utilizing extended forks for skidded bundles

Figure 1. Cable Tray Handling and Transportation

3.4.2 Wire and Cable Handling, Transportation, and Storage

Wire and cable shall be packed, handled, transported, and stored in accordance with KNPR 60001 and MIL-DTL-12000. Wire and multiconductor cables shall not be stored in the open or allowed to come into contact with water. Receiving inspections shall be conducted in accordance with KNPR 6000.1 by the KSC contractor responsible for receiving, transportation, and handling. Wires and cables shall be free of all defects and imperfections, and there shall be no cuts, marks, abrasions, or cracks in their jackets. When any defects or imperfections exist or occur, the wire or cable shall be rejected and replaced. The end cuts of multiconductor cables that are being stored shall be sealed in accordance with the "End seals" section of MIL-DTL-12000.

KSC-E-166C
March 20, 2009

3.5 Equipment Identification

All equipment shall be marked with a NASA nameplate or tag in accordance with KSC-STD-E-0015. Unless the drawings show otherwise, components of equipment shall be identified with the short-sign mark directly adjacent to (preferably above) the component in the most conspicuous place. Reference designations of consoles or racks shall be permanently stenciled with die-and-ink, using 13-millimeter (mm) (0.5-inch [in]) characters, in accordance with KSC-STD-E-0015, in a conspicuous place on the back of the equipment, unless the design documentation specifies another means of identification. If equipment to be installed has not been properly marked by the supplier, the installation contractor shall request direction from the contracting officer for providing the proper equipment identification.

3.6 Cable and Wire Identification

Wires, cables, and cords of all types (except those that are weatherproof and paper-insulated) shall have a continuous distinctive marking in accordance with KSC-STD-E-0015; KSC-STD-E-0009; and GP-435, Volume I, so that they may be readily identified. Insulated conductors that are 4.12 mm (0.16 in) or more in diameter (No. 6 American Wire Gage [AWG]), with the exception of conductors of weatherproof and mineral-insulated (MI) cable, shall have an outer identification. All conductors of MI cable shall be identified by placing a distinctive marking at the terminals during the process of installation.

Furthermore, in accordance with NASA-16145S and UFGS-13 50 00.00 40, conductor identification shall be provided within each enclosure where a tap, splice, or termination is made and at the equipment terminal of each conductor. Terminal and conductor identification shall match that shown on approved engineering drawings. Hand lettering or marking is not acceptable. Control-circuit terminals of equipment shall be properly identified by color-coded insulated conductors, number-coded plastic self-sticking printed markers, permanently attached metal-foil markers, or heat-shrinkable sleeves. Cable fittings shall conform to UL 514B; insulating tape shall conform to ASTM D2301. Where several feeders pass through a common pullbox, the feeders shall be tagged to clearly indicate the electrical characteristics, circuit number, and panel designation. Cables shall be identified by their cable number at the location where the cables enter the terminal enclosures.

3.7 Workmanship

Work shall be carefully laid out in advance. Work plans shall take into consideration the potential presence of asbestos-containing building materials (ACBM) as a part of the hazard assessment for the work to be performed. Known locations of ACBM are identified in the KSC Asbestos Management Information System (AMIS) database as described in KNPR 1840.19, Section 3.3. This prework hazard assessment shall include above-ceiling work in locations where ACBM may be present. Where disturbance of known or potential ACBM is a hazard, the contractor shall stop work and notify the contracting officer to arrange for assessment and, if necessary, abatement of the hazard. Where cutting, channeling, chasing, or drilling of floors, walls, partitions, ceilings, or other surfaces is necessary to properly install equipment, the work shall be

KSC-E-166C
March 20, 2009

carefully performed with an emphasis on minimizing the creation of foreign-object debris (FOD). Any metal shavings or construction debris resulting from installations shall be removed by the contractor when work is completed. Any damage to buildings, piping, or equipment shall be repaired and refinished by skilled craftspeople at no extra cost to the Government. Materials and equipment shall be installed in accordance with the approved recommendations of the manufacturer, as specified by this document, or as shown on the contract drawings. The installation shall be accomplished by skilled craftspeople, and all work shall be conducted and completed in a manner consistent with accepted industry practices.

3.8 Positioning of Equipment

Equipment shall be installed plumb, level, true-to-line, and securely anchored for proper operation. Equipment shall be positioned to prevent marring, scratching, gouging, or any other damage or deformation to existing equipment or structures. Appropriate carriages or slings shall be used for hoisting or rolling heavy equipment so that no undue stress is placed on any section of the equipment. Equipment shall be moved in a sure, safe manner. Extra care shall be taken while moving consoles containing instruments or other electronic components to subject them to the least possible amount of shock or vibration. Consoles shall also be protected from moisture or excessive heat at the levels specified by the contracting officer and in accordance with MIL-STD-2073 and as specified in engineering drawings and documents.

3.9 Accessories

Engineering approval is required before installing accessories and component parts not indicated on engineering drawings or specifically mentioned in the specifications.

3.10 Wire and Cable

Wire and cable shall be handled carefully to prevent damage to conductors, insulation, and connectors. To prevent damage during shipment, storage, and installation, connectors shall have protective caps at all times except when the protective caps must be removed for installation or connector mates. During storage, assembly, and installation, wires and cables shall not be walked on, nor shall carts with casters be pulled over them. They shall not be placed on the floor except when they are being worked with, nor shall they be pulled over sharp objects. Wires and cables that hang over the edges of a surface shall be protected or supported at all times. At no time shall allowable bend radius for wires or cables be exceeded.

Fiber-optic cables shall be handled with care to preclude excessive bend radii or damage to the cable jacket, cladding, or underlying glass core. Materials shall not be stacked or stored on top of fiber-optic cables, assemblies, and subassemblies.

Moisture shall be driven from MI cable by heating it until the applicable isolation readings are obtained. Cable temperature shall not be allowed to exceed maximum operational temperature specified in KSC-SPEC-E-0020 (90 degrees Celsius [194 degrees Fahrenheit]). All cable cuts shall be sealed immediately to prevent moisture absorption. Installation shall be in accordance

KSC-E-166C
March 20, 2009

with the manufacturer's recommendations, and terminations shall be in accordance with 79K06110.

3.11 Installation

3.11.1 Rigid Steel Conduit

Rigid steel conduit shall be installed in accordance with NFPA 70, Article 344, and ANSI C80.1, and as shown on the drawings. Fittings for rigid steel conduit shall be threaded. Gaskets shall be solid for fittings that have a nominal size of DN 40 (1.5 in) or less. (Note: Nominal sizes in metric are designated as diameter nominal (DN) followed by the nominal size in millimeters. For example, DN 40 is the designation for pipe that has a nominal diameter of 40 mm. The size in inch-pounds follows in parentheses.) All conduit fittings with blank covers shall have gaskets except when they are used in clean, dry areas or at the lowest point of a conduit run where drainage is required. Fittings shall be installed with covers that have captive screws and shall be accessible after the work is completed.

3.11.1.1 Number and Size of Bends

Each run of conduit between outlet and outlet, between fitting and fitting, and between outlet and fitting shall contain the equivalent of not more than three 90-degree bends. All 90-degree bends in conduit larger than DN 25 (1 in) shall be made with factory-made elbows. Elbows in conduit larger than DN 65 (2.5 in) shall be at a long radius. Field-made bends and offsets shall be made with an approved hickey or conduit-bending machine that does not damage the conduit or effectively reduce the internal diameter. A change in the direction of a run shall be made with a symmetrical bend or cast metal fitting.

3.11.1.2 Fastening of Joints

Galvanized locknuts and bushings shall be used to securely fasten conduit to all sheet metal outlets, junctions, and pull boxes. There shall be enough projecting threads to permit the bushings to be drawn tight against the end of the conduit, after which the locknut shall be pulled up tight enough to draw the bushing into a firm electrical contact with the box. Two locknuts shall be used to fasten conduits to sheet metal boxes and cabinets when required by NFPA 70, when insulating bushings are used, when bushings cannot be brought into firm contact with the box, and when shown on the drawings. Bushings shall be installed on all conduit ends and shall be of the insulating type when required by NFPA 70. Conduit joints shall be made with tapered threads and set firmly. Each length of conduit cut in the field shall be reamed before being installed. When conduit is threaded in the field, each threaded end shall consist of at least five full threads. A corrosion-inhibiting conductive compound shall be used on the conduit threads. Conduit stubbed up through concrete floors for connections to freestanding equipment (except for motor-control centers, cubicles, etc.) shall be provided with a flush coupling if the floor slab is thick enough; if not, a floor box shall be set flush with the finished floor. Conduits installed for future use shall be terminated with a coupling and plug set flush with the floor unless otherwise

indicated. To ensure a watertight seal, joints in conduit installed in concrete shall be painted with acid-resisting, tar-based paint after the joint has been made.

Care shall be taken to prevent plaster, dirt, or trash from lodging in conduits, boxes, fittings, or equipment during installation. A clogged conduit shall be entirely freed of obstructions or shall be replaced. Conduit-crossing expansion fittings shall have suitable expansion fittings or other means to compensate for the building expansion and contraction.

3.11.1.3 Pull Wires and Concealed Installations

A zinc-coated steel pull wire no less than 1.6 mm (0.06 in) in diameter (14 AWG) shall be installed in all empty conduit longer than 6.0 m (20 ft). Conduit shall be concealed within finished walls, ceilings, and floors where possible and shall be kept 0.15 m (6 in) away from parallel runs of flues, steam or hot-water pipes, and other mechanical piping. Conduit shall not be installed under the fire pits of boilers and furnaces. Sleeves shall be provided through the bond beams of masonry-block walls so that conduit can be threaded through hollow spaces.

3.11.1.4 Conduit Runs and Securing

Exposed conduit shall have runs installed parallel or perpendicular to walls, structural members, or intersections of vertical planes and ceilings. In rooms or areas not provided with a ceiling or wall finish, conduit and outlets shall be installed so that a room finish may be applied in the future without disturbing the conduit or resetting the boxes. When exposed conduit requires clamping to flat surfaces, clamps shall consist of galvanized malleable-iron pipe straps for conduit up to and including DN 40 (1.5 in nominal). Straps for conduits larger than DN 40 shall be two-hole, extra-heavy steel. Steel bolts of an appropriate size to fill holes of the straps shall be used. Beam clamps are acceptable. Clamp backs shall be used to allow space between the conduit and its supporting surface in wet or corrosive areas. Wooden plugs inserted in concrete or masonry are not acceptable as a base for conduit fastenings, nor shall conduit or pipe straps be welded to steel structures. Conduit shall be secured by pipe straps or shall be supported by wall brackets, strap hangers, or ceiling trapezes, fastened by wood screws on wood, toggle bolts on hollow masonry units, expansion bolts on concrete or brick, and machine screws or welded threaded studs on steel work. Nail-type nylon anchors or threaded studs, driven in by powder charge and provided with lockwashers and nuts, are acceptable in lieu of expansion bolts or machine or wood screws. Conduit shall be supported and secured at intervals of not more than 2.4 m (8 ft) in horizontal runs and 6.0 m (20 ft) in vertical runs; within 0.45 m (1.5 ft) of each outlet box, junction box, cabinet, enclosure, or fitting; and within 0.3 m (1 ft) of each change of direction. Supports shall consist of a steel bar, angle, or channel of a size that will provide a firm, rigid support. Rod hangers may be used if they are laterally braced. Structural steel shall not be drilled for clamping banks of conduit. The bottom flanges of I-beams or channels shall not be drilled. Prefabricated channel sections may be used with approval. Supports shall not form closed pockets that could hold spilled liquids. Piping or insulated equipment shall not be used to anchor supports.

KSC-E-166C
March 20, 2009

3.11.2 Electrical Metallic Tubing (EMT)

EMT shall be installed in accordance with NFPA 70, Article 358, and ANSI C80.3. Couplings and connectors shall be the hexnut, expansion-gland type, and zinc- or cadmium-plated. Crimp, spring, or setscrew fittings are not acceptable. Where EMT enters outlet boxes, cabinets, or other enclosures, connectors shall be the insulated-throat type with a locknut. EMT shall be securely fastened to the supporting surfaces with corrosion-resistant metal clamps or fasteners, using screws, toggle bolts, or expansion shields where appropriate. Maximum spacing of conduit supports shall be 2.4 m (8 ft). EMT shall be cut square with a hacksaw or three-wheel pipe cutter and thoroughly reamed to remove all burrs or rough surfaces. Field-made bends and offsets shall be avoided wherever possible but, where necessary, shall be made with an approved hickey or conduit-bending machine. Changes in direction of runs shall be made with symmetrical bends or approved metal fittings. Crushed or deformed EMT shall not be installed. Trapped conduit runs shall be avoided wherever possible. Care shall be taken to prevent plaster, dirt, or trash from lodging in the conduit, boxes, fittings, and equipment during the course of construction. If conduit is clogged, obstructions shall be entirely removed or the conduit shall be replaced. Exposed conduit shall be run parallel or perpendicular to walls and the intersections of vertical planes; corners shall be turned with approved metal fittings or field bends arranged so multiple runs will be parallel.

3.11.3 Flexible Metal Conduit (FMC) and Liquidtight Flexible Metal Conduit (LFMC)

FMC shall be used for all electrical connections to vibrating equipment. Sections of flexible metallic conduit shall be no more than 1.8 m (6 ft) long and shall be installed only in exposed or accessible locations, in accordance with NFPA 70, Article 348. Flexible metallic conduit installed in outdoor, wet, or damp locations shall be the LFMC type and have an outer liquidtight, nonmetallic, sunlight-resistant jacket. Installation shall be in accordance with NFPA 70, Article 350, except that a green-insulated ground wire shall be run between connectors in all sizes of liquidtight flexible conduit.

3.11.4 Cable Trays

NEMA VE 2 is intended as a practical guide for the proper installation of metal cable tray systems in the United States. Cable tray systems designed for installation at KSC shall comply with NEMA VE 2 and Article 392 of NFPA 70, National Electrical Code (NEC), and follow safe work practices as described in NFPA 70. Figure 2 (two sheets) provides examples of cable tray installations. NFPA 70 states that a cable tray system is to be electrically continuous but does not have to be mechanically continuous. This is an important consideration in installing cable tray systems safely and economically. The gap between sections is restricted to 1.8 m (6 ft), the cables shall be fastened to the cable tray prior to and after the transition, and they shall be protected by a guard or by virtue of their location. The electrical connection between segments shall be maintained with properly sized bonding jumpers or ground wire. (See 3.12.2 for a discussion of grounding cable trays and Figure 7, Example C, for an illustration of a discontinuous cable tray.)

KSC-E-166C
March 20, 2009

Every effort shall be made to ensure the mechanical continuity of installed cable trays in order to ensure installed cables are not damaged as a result of launch-induced forces. See NEMA VE 2 for extensive instructions and illustrations for cable tray installation.

3.11.4.1 Cable Tray Penetrations

Cable trays shall be permitted to extend transversely through partitions and walls or vertically through platforms and floors in wet or dry locations where the installations, complete with installed cables, shall be made in accordance with NFPA 70, Article 300.21. Cable trays and/or cable penetrations through partitions, walls, floors, and ceilings often require a special fire rating or cause environmental concerns and shall be handled in accordance with NFPA 70, Articles 392 and 300. Figure 3 provides examples of a vertical cable tray penetration. (Fire-stopping material is not shown.)

KSC-E-166C
March 20, 2009

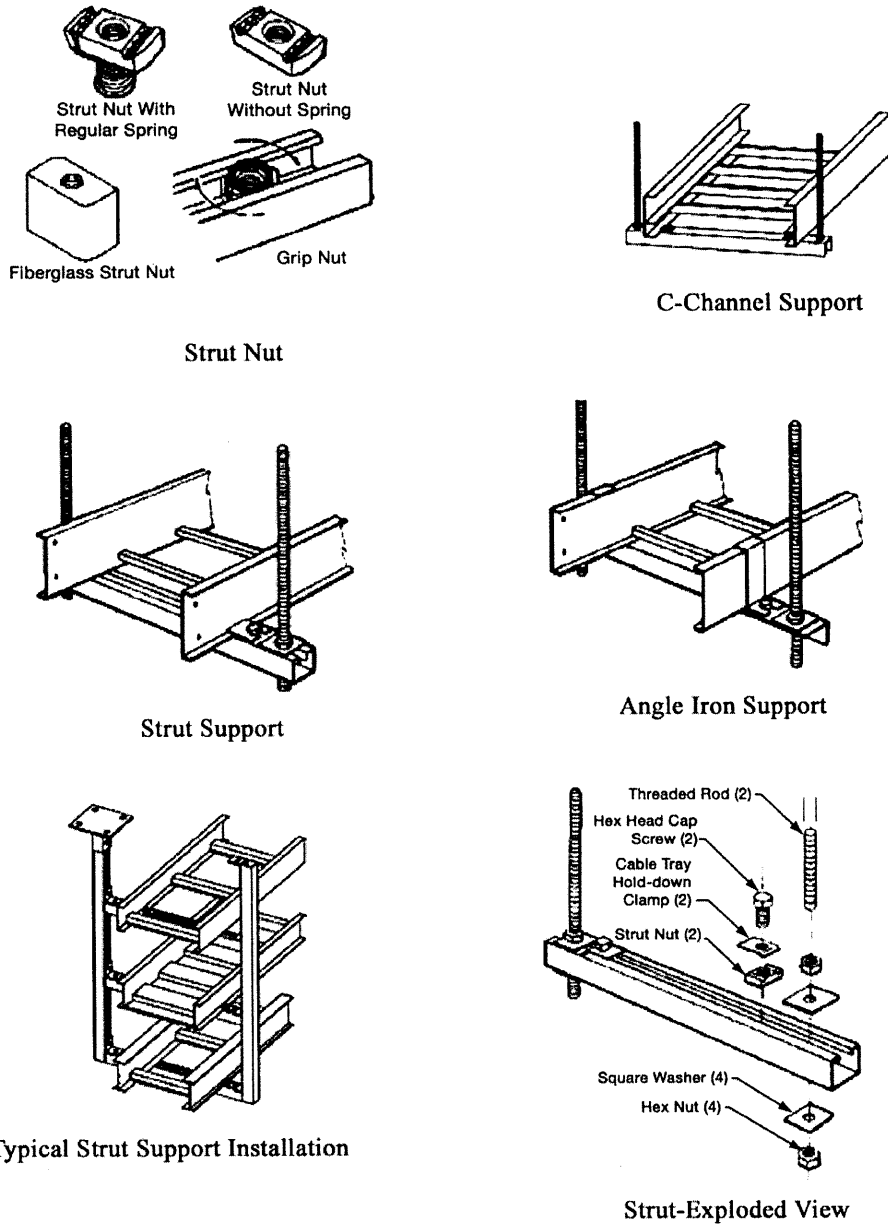
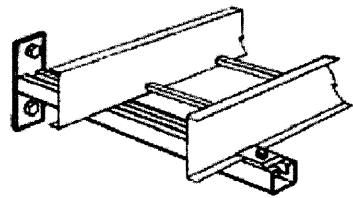
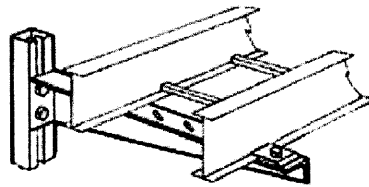


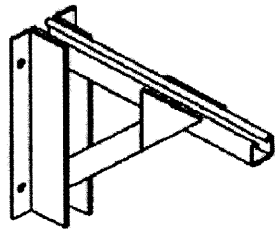
Figure 2. Examples of Cable Tray Installations (Sheet 1 of 2)



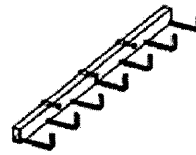
Single Strut Cantilever Bracket



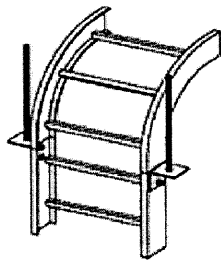
Gusset Cantilever Bracket



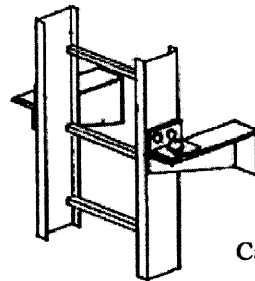
Fiberglass Cantilever Bracket



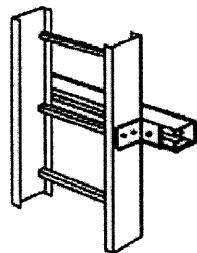
Single Rail Direct Wall Mount



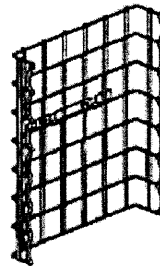
Vertical Thread Rod Support



Vertical Gusset
Cantilever Support



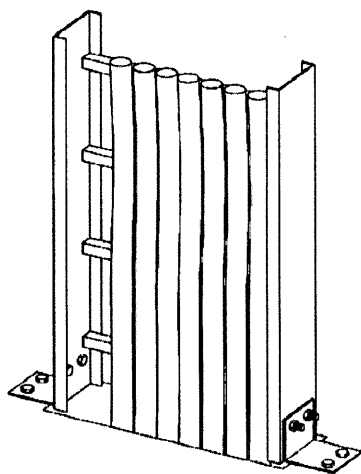
Vertical Strut Support



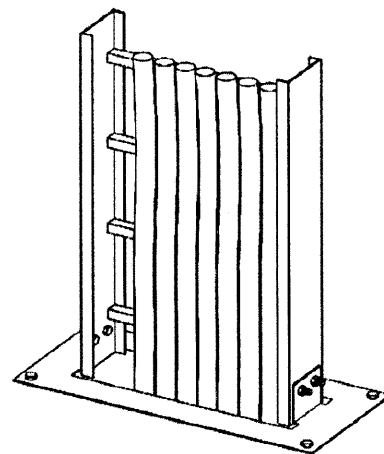
Vertical Wall Mount

Figure 2. Examples of Cable Tray Installations (Sheet 2 of 2)

KSC-E-166C
 March 20, 2009



Using Cable Tray-to-Box/Floor Splice Plates



Using Cable Tray-to-Box Connector

Figure 3. Vertical Cable Tray Penetration (Fire-Stopping Material Not Shown)

3.11.5 Equipment Racks and Enclosures

Equipment racks and enclosures installed at KSC shall comply with the requirements of KSC-SPEC-E-0002 and EIA-310. Racks and enclosures shall meet all required NEC standards for intrinsic safety as defined by NFPA 70, Section 500 and shall comply with hazardproofing, ignitionproofing, and purging requirements outlined in KSC-E-165, KSC-STD-E-0002, and applicable sections of NASA-STD-5005.

3.11.6 Wire and Cable

GSE wire and cable routed in cable trays, raceways, cabinets, racks, and enclosures shall be installed in compliance with the requirements specified in this document and those specified in CxP 72274. GSE wiring and cabling of similar electromagnetic compatibility (EMC) circuit classifications shall be labeled with the EMC circuit classification, bundled, routed together, and isolated from wiring and cabling of other EMC circuit classifications through mechanical means such as physical separation, routing in cable trays, or shielding. In addition, wire and cable bundles shall be grouped according to system, function, and redundancy requirements. See Table 1 for applicable EMC circuit classifications. See Table 2 for EMC routing guidelines. Cable and wire bundles with the same EMC classification and redundancy code may be combined and routed together in the same bundle. Where EMC or redundancy separation requirements exist, separate cable bundles shall be formed and routed. Table 3 defines the edge-to-edge cable bundle separation requirements for routing of cables in cable trays. When a physical separation cannot be achieved, a metallic channel separation shall be used, provided the channel separator height is

no less than the largest cable or bundle requiring separation. The following convention shall be used when routing wire and GSE cable bundles:

- a. Using Table 1, assign the proper EMC classification to the cable, wire, or bundle based on circuit and electrical signal parameters.
- b. Using Table 2, form cable bundles having the same or compatible EMC classifications, keeping in mind any specific redundancy requirements (see Table 4).
- c. Using Table 3, install and route cables, observing specified separation distances when routing cables or bundles of different classifications parallel to each other. Cables or bundles with a similar classification may be routed together without separation.
- d. To minimize magnetic coupling effects, install bundles of cables with different classifications so that the crossovers of these bundles are made at right angles.

At junction boxes, terminal strips, panels, or any other location approved by cognizant EMC engineering personnel, wire harnesses and cables may be grouped into a single bundle for short distances, i.e., 305 mm (12 in) nominal. This grouping may be done without regard to signal level provided the runs do not contain critically redundant circuits (e.g., HO1 and HO2, ML1 and ML2, or EO1 and EO2).

KSC-E-166C
March 20, 2009

Table 1. EMC Circuit Classification

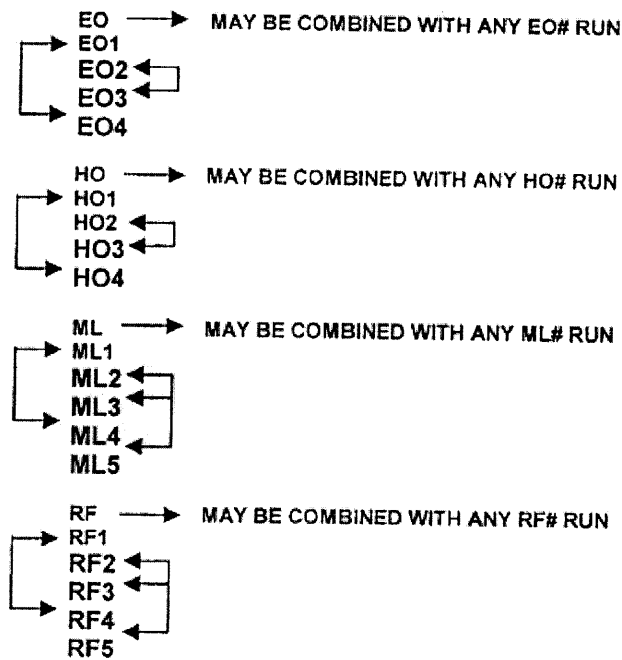
Frequency f: Rise, Fall Time (μ s) t_r, t_f	Voltage or Sensitivity	Source Impedance (Ω)	Load Impedance (Ω)	Circuit Class ³	Minimum Wire Type	Shield ^{1,2}
Analog (AC, DC) $f \leq 50$ kHz $t_r, t_f \geq 10$ μ s	≤ 100 mV	All	< 600 k	ML	TWS	MPG
	≤ 100 mV	All	≥ 600 k	ML	TWDS	MPG
	< 6 V	All	All	ML	TWS	MPG
	$6 - 40$ V	All	All	HO	TW ⁴	None
	> 40 V	All	All	EO	TW	None
50 kHz $< f$ ≤ 1 MHz; $t_r, t_f \leq 10$ μ s	< 100 mV	All	All	RF	TWDS	MPG
	≥ 100 mV	All	All	RF	TWS	MPG
$f > 1$ MHz ^{1,3}	All	All	All	RF	TWS, Twin- ax, Coax	MPG
BWAD	All	All	All	MO	TWS	MPG
Legend:						
BWAD	Bridge-wire-actuated device					
EO	Power and high voltage (> 40 V) circuit designation (typically AC power greater than 40 V)					
HO	Control and high-level discrete signal circuit designation (typically 28 VDC power and 5 to 32 VDC)					
ML	Low-level analog or sensitive circuit designation (typically low level signal, 0 to 5 VDC)					
MO	Pyrotechnic circuit designation					
MPG	Multiple point ground					
RF	Radio frequency					
TW	Twisted					
TWDS	Twisted double shielded					
TWS	Twisted shielded					
Notes:						
1.	Shield architecture shall be compatible with the circuit application.					
2.	The length of shield termination to chassis/structure for all circuits should be the minimum length practical. The preferred method is to connect the shield peripherally to the back shell of the connector with a continuous impedance electrical bond path through both halves of the connector shell and the connector-to-mounting surface interface. Overall shield terminations shall not be carried through connector pins. No shield terminations shall be carried into the interior of the electrical equipment or enclosure. The use of direct wire or "pigtail" terminations limits the effectiveness of cable shields above 10 MHz and is highly discouraged.					
3.	Digital signals shall be classified as RF and routed using wire type in accordance with this table.					
4.	Straight conductor cable with an overall shield is acceptable for use for nonsensitive discrete-signal and DC power applications.					

KSC-E-166C
March 20, 2009

Table 2. EMC Routing Guidelines (Redundant Circuits Shown)

EMC CODES:

EO - AC POWER (GREATER THAN 40 V)
HO - 28 VDC POWER, 5 - 32 VDC
ML - SIGNAL, 0 - 5 VDC
RF - RADIO FREQUENCY



EO & HO MAY BE COMBINED
HO & ML MAY BE COMBINED

EO & RF MAY NOT BE COMBINED
EO & ML MAY NOT BE COMBINED

HO1 and EO1 or ML1 MAY BE COMBINED
HO2 and EO2 or ML2 MAY BE COMBINED

KSC-E-166C
March 20, 2009

Table 3. Edge-to-Edge Bundle Separation Requirements

Bundle	Routed Parallel to Bundle	Separation in centimeters (inches) for parallel runs of L meters (feet)			
		L < 0.3048 m (1 ft)	0.3048 m (1 ft) ≤ L < 0.9144 m (3 ft)	0.9144 m (3 ft) ≤ L < 1.524 m (5 ft)	L ≥ 1.524 m (5 ft)
ML	HO	0	2.54 (1.0)	5.08 (2.0)	10.16 (4.0)
	EO	0	3.81 (1.5)	7.62 (3.0)	15.24 (6.0)
	RF	0	6.35 (2.5)	12.7 (5.0)	25.40 (10.0)
HO	EO	0	1.27 (0.5)	2.54 (1.0)	5.08 (2.0)
	RF	0	3.81 (1.5)	7.62 (3.0)	15.24 (6.0)
EO	RF	0	2.54 (1.0)	5.08 (2.0)	10.16 (4.0)

Table 4. Redundancy Separation Requirements

Level of Redundancy	Routing Requirements
2	The two circuits shall be routed separately
3	One circuit (A) shall be routed separately. The remaining two circuits (B and C) shall be routed in the same or other bundle or harness separately from the first circuit.
4	Two circuits (A and D) shall be routed in the same or separate bundle or harness. The remaining two circuits (B and C) shall be routed in the same or different bundle or harness separately from the first two circuits.

3.11.7 Penetrations

NFPA 70, Section 300.21, specifies that electrical installations in hollow spaces, vertical shafts, and ventilation or air-handling ducts shall be made so that the possible spread of fire or products of combustion will not be substantially increased. Openings around electrical penetrations through walls, partitions, floors, or ceilings that are rated for fire resistance shall be firestopped using approved methods to maintain the fire resistance rating. Directories of electrical construction materials published by qualified testing laboratories contain many listings of installation restrictions necessary to maintain the fire-resistive rating of assemblies when penetrations or openings are made.

Firestop systems and devices are required in accordance with NFPA 101 (Life Safety Code), Section 8.3.5.1, on penetrations for cables, cable trays, conduits, pipes, tubes, combustion vents and exhaust vents, wires, and similar items to accommodate electrical, mechanical, plumbing, and communications systems that pass through a wall, floor, or floor/ceiling assembly constructed as a fire barrier. The firestop system or device shall be tested in accordance with

KSC-E-166C
March 20, 2009

ASTM E814, or UL 1479, at a minimum positive pressure differential of 2.5 pascals (Pa) (0.01 in water column) between the exposed and the unexposed surface of the test assembly.

The requirements of NFPA 101, Section 8.3.5.1, shall not apply where otherwise permitted by any one of the following:

- a. Where penetrations are tested and installed as part of an assembly tested and rated in accordance with NFPA 251, ASTM E119, or UL 263.
- b. Where penetrations through floors are enclosed in a shaft enclosure designed as a fire barrier.
- c. Where concrete, grout, or mortar has been used to fill the annular spaces around cast-iron, copper, or steel piping that penetrates one or more concrete or masonry fire resistance-rated assemblies and both of the following criteria are also met:
 - (1) The nominal diameter of each penetrating item shall not exceed 150 mm (6 in), and the opening size shall not exceed 0.09 m² (1 ft²).
 - (2) The thickness of the concrete, grout, or mortar shall be the full thickness of the assembly.
- d. Where firestopping materials are used with the penetrating items in NFPA 101 8.3.5.1.1(1) through 8.3.5.1.1(3), and both of the following criteria are also met:
 - (1) The penetration shall be limited to only one floor.
 - (2) The firestopping material shall be capable of preventing the passage of flame and hot gases sufficient to ignite cotton waste when subjected to the time-temperature fire conditions of NFPA 251, ASTM E119, or UL 263 under a minimum positive pressure differential of 2.5 Pa (0.01 inch water column) at the location of the penetration for the time period equivalent to the required fire-resistance rating of the assembly penetrated.

Several manufacturers produce approved firestop systems for cables, cable trays, conduits, pipes, tubes, combustion vents, exhaust vents, and wires. Only certified firestop systems that meet the required rating for fire, heat, and smoke resistance in accordance with NFPA 251, ASTM E119, or UL 263 shall be installed in KSC facilities. Reference Figure 4 (left) for an example of MCT Brattberg firestop system and Figure 4 (right) for a photo of a firestop mortar used on cable penetrations.

KSC-E-166C
March 20, 2009

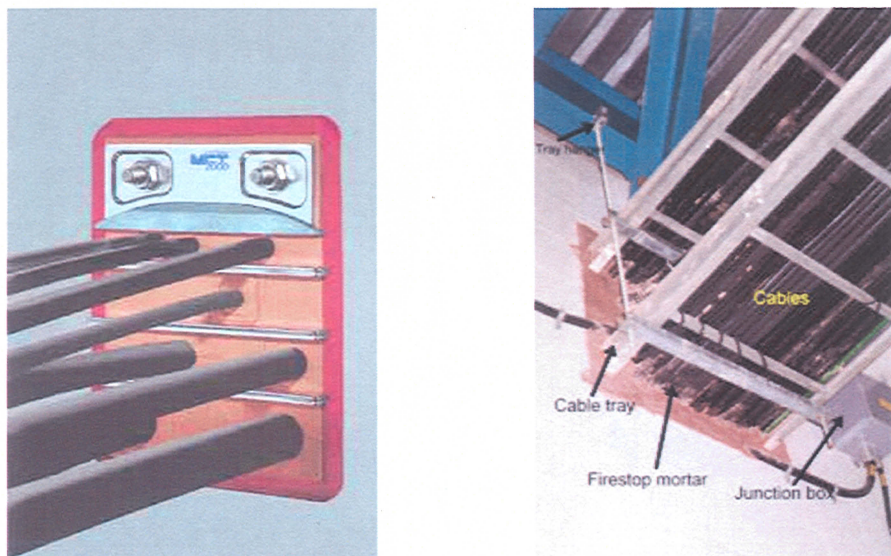


Figure 4. Firestop System (left) and Firestop Mortar (right)

3.11.8 Terminal Distributors (TDs)

Terminal distributors shall meet the requirements of 3.11.5. For new designs, approved DIN rail-mounted terminal blocks shall be used for terminating wires inside terminal distributors. Modular terminal blocks are supplied by many different manufacturers and come in many different styles, colors, sizes, and applications including but not limited to spring clamp, cage clamp, and screw type, ground circuit, thermocouple, distribution, and programmable logic controller (PLC) relay blocks. Wires shall be terminated in accordance with the manufacturer's recommendations and engineering drawings. Wires terminated in spring-style terminal blocks shall be limited to tinned wires. Screw-type terminal blocks shall have some type of self-locking feature or, when installed, shall be installed with a locking compound to keep the retaining screw from becoming loose due to vibration or stress placed on the terminal block or wire(s). Cables and wires installed in terminal distributors shall be supported to their respective terminal-block mounting channels. Supports shall be spaced a maximum of 150 mm (6 in) on center, with a support located immediately adjacent to and on each side of the breakout of the conductors from the cable. Supports shall be similar to self-locking tie-straps or an approved similar product and shall be securely bolted to the mounting surface. Care shall be taken not to have any of the individual cable shields or the conductor shields grounded to the terminal distributor frame, especially at the points of cable supports. Where cables with individually shielded conductors or pairs are terminated on terminal blocks, the terminal-block mounting channel shall be adequately insulated to maintain the isolation of the shields from ground.

3.12 Grounding

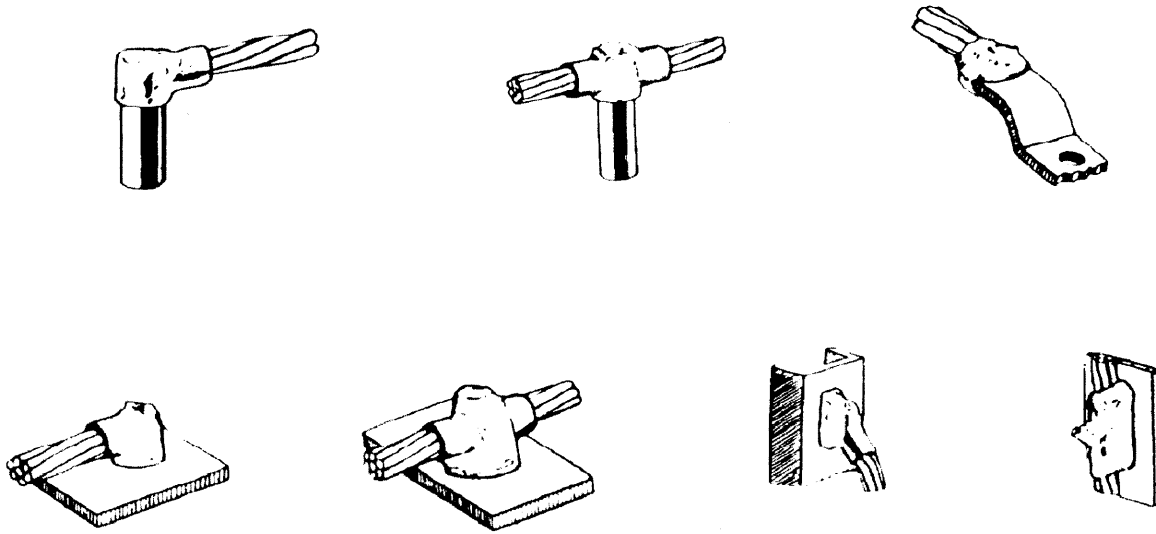
Grounding of equipment shall be in accordance with the requirements of KSC-STD-E-0012 and NFPA 70, Articles 250, 392.7, 640.7, and 647.6, along with the NFPA 70E, Sections 235.2, 110.9(B)(2) and 320.3(F). MIL-HDBK-419 and MIL-HDBK-1857 contain best practices for grounding, bonding, and shielding for electronic equipment and facilities and should be consulted as guides for proper grounding, bonding, and shielding. All exposed non-current-carrying metallic parts of electrical equipment and conduit systems shall be grounded. All grounding surfaces on such items as motor and equipment frames, cable trays, starters and contactors, junction boxes, consoles, racks, and conduit shall be thoroughly cleaned to the conductive finish before applying the ground clamp or lug. The grounding surface of terminal lugs shall be free of dirt, grease, or any other foreign matter that would create a high-resistance contact. The grounding surface shall be metallic and of low enough resistance enough to meet the 2-milliohm ($m\Omega$) requirement listed later in this section, with no paint oxides or insulating finish. Ground lugs that are pitted or deformed shall not be used. If the existing ground pads are rough or pitted, the contractor shall finish the surfaces of these pads until they are smooth and flat. Before the assembly and tightening of ground clamps and pads, the clamps and pads, including the contact surfaces, shall be thoroughly covered with a silicone compound in accordance with SAE AS8660 to exclude air and moisture.

A sheet metal strap-type ground clamp that is used on the grounding conductor of a wiring system must be made of a material that will prevent the clamp from stretching during or after installation, and it must be installed in a manner that will prevent the clamp from stretching. In addition, the clamp must be attached to a rigid metallic base connected to an equipment ground or another suitable electrode. Ground clamps and fittings shall be protected from mechanical injury by being placed where they are unlikely to be damaged or by being enclosed in a protective covering (made of metal, wood, or an equivalent material) that can be removed so that the items can be inspected, unless there is approval to use the clamps or fittings without protection.

Table 5 indicates the acceptable methods of making connections between bonding jumpers and structures of various metals. The metals are listed in order of decreasing activity in salt water; the higher metal in the series will be the one attacked when there is galvanic action between any two. In general, the greater the separation between any two of the metals, the more pronounced the corrosive activity will be. When either a Type I or Type II screw is indicated as acceptable, the Type II screw is preferable from a corrosion-resistance standpoint and shall be used in corrosive environments.

All grounding connections shall be exothermic fusion-welded, except when bolted connections are indicated on the drawings. Soldered ground connections are not permitted. All connectors shall be specifically designed for grounding, with adequate protection against corrosion and where a connection is made to dissimilar metals, the joined members, as well as the connector, shall be protected against electrolysis. All ground connections below grade shall be painted with a heavy coat of bitumastic paint and shall be inspected and approved by the contracting officer before backfill. Figure 5 presents examples of exothermic fusion welds.

KSC-E-166C
 March 20, 2009



COURTESY OF ERICO PRODUCTS, INC., CLEVELAND, OHIO

Figure 5. Typical Bond Configurations Implemented With an Exothermic Process

Table 5. Metal Connections

Metal Structure (Outer Finish Metal)	Connection for Aluminum Jumper		Connection for Tinned Copper Jumper	
Magnesium and Mg-based alloy	Direct or Mg washer	Type I* screw	Al or Mg washer	Type I screw
Zinc, cadmium, aluminum, and Al alloys	Direct	Type I screw	Al washer	Type I screw
Steel (except stainless steel)	Cadmium-plated washer	Type I screw	Direct	Type I screw
Tin, lead, and Pb-Sn solders	Cadmium-plated washer	Type I screw	Direct	Type I or II** screw
Copper and Cu-based alloys	Tinned or cadmium-plated washer	Type I or II screw	Direct	Type I or II screw
Nickel and Ni-based alloys	Tinned or cadmium-plated washer	Type I or II screw	Direct	Type I or II screw
Stainless steel	Tinned or cadmium-plated washer	Type I or II screw	Direct	Type I or II screw
Silver, gold, and other noble metals	Tinned or cadmium-plated washer	Type I or II screw	Direct	Type I or II screw

* Type I: zinc-plated or cadmium-plated
 **Type II: stainless steel

Grounding taps shall be as short as possible and shall be run in conduit where mechanical protection may be necessary. When existing ground taps are not long enough to be installed properly, they shall be extended with conductors of the same size and type. Such extensions to existing ground taps shall be made by exothermic fusion welding only.

Conduit entering or leaving junction boxes shall be properly grounded by means of ground clamps or ground bushings. Where conduit enters or leaves an enclosure through a concentric knockout, the conduit shall be bonded across the knockout.

Pressure-type lugs, clamps, and split-bolt connectors shall be sufficiently tight to meet resistance requirements as specified by the manufacturer. The controlling points for measuring resistance shall be within the limits of the cleaned area to be bonded, on the jumper terminal within 6.4 mm (0.25 in) of the exterior, or at that point called for on the drawings. The resistance shall be measured between the jumper terminal and the object or structure to which it is attached using a milliohm meter and either shall not exceed 2 m Ω or shall meet the requirements specified by the contracting officer.

3.12.1 Grounding of Wire and Cable Shields

Proper grounding of structures and equipment shall be maintained for the safe and efficient operation of communication and data handling networks and facilities at KSC in accordance with KSC-STD-E-0012. Likewise, bonding/grounding of wire and cable shields installed in KSC facilities is also critical for the following three reasons:

- a. **Personnel safety.** To provide for the safety of personnel, low-impedance grounding and bonding are used between equipment, metallic objects, piping, and other conductive objects, so that currents from faults, lightning, or high-voltage transients do not result in voltages sufficient to cause a shock hazard and/or arc flash hazard.
- b. **Equipment and facility protection.** To protect equipment and facilities, low-impedance grounding and bonding are used between electrical services, protective devices, equipment, and other conductive objects, so that faults or lightning currents do not result in hazardous voltages within the facility. Also, the proper operation of overcurrent protective devices is frequently dependent upon low-impedance fault current paths.
- c. **Electrical noise reduction.** Electrical noise shall be reduced on communication circuits by ensuring that (1) minimum voltage potentials exist between communications and electronics equipment, (2) the impedance between signal ground points to earth is minimal throughout the facility, and (3) interference from noise sources is minimized.

KSC-E-166C
March 20, 2009

3.12.1.1 Overall Shields

In accordance with KSC-E-165, overall shields installed on GSE and facility wire/cable runs shall be electrically bonded 360 degrees at each connector end of every wire/cable run. The electrical bond shall be maintained through the connector shell to the outside of every interfacing structure and enclosure to facilitate either a single-point or multipoint grounding system as defined by the system design and as specified in engineering drawings. The proper bonding and grounding of the overall shields to the cable plant will minimize ground loops and establish a safe and relatively noise-free operating environment. Figure 6 illustrates one proper implementation of overall shield grounding.

3.12.1.2 Internal/Individual Shields

Internal shields on individually twisted pairs of wires shall be terminated as specified in the engineering drawings.

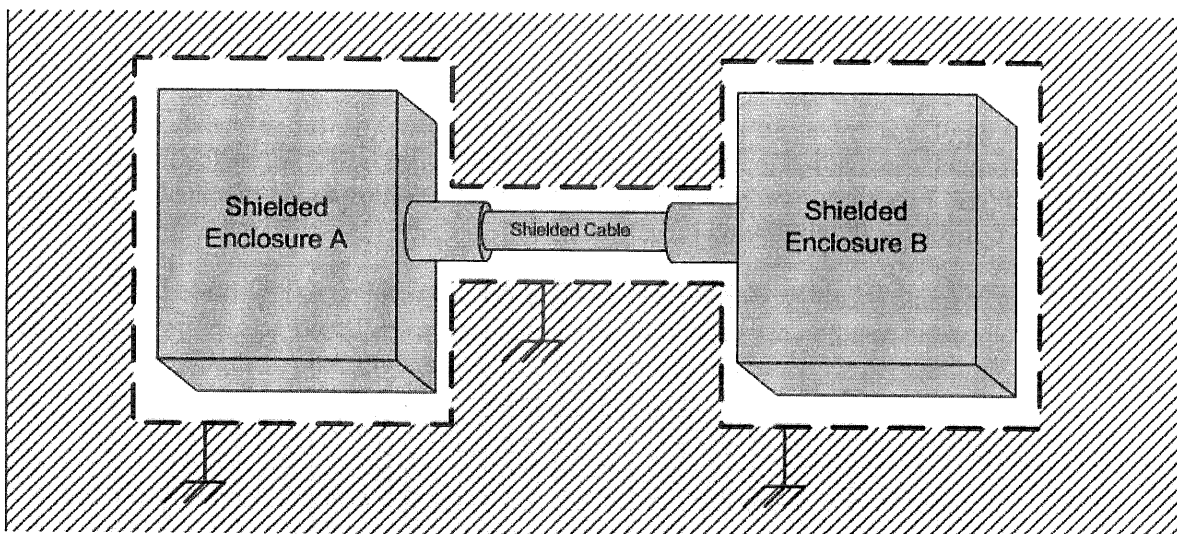


Figure 6. Implementing Overall Shield Grounding

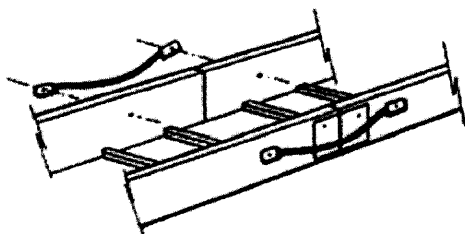
3.12.1.3 Current-Carrying Shields

Any shield that is used as a current-carrying path shall not be connected to the overall shield or to the exterior of any enclosure, cabinet, or electrical GSE. Refer to engineering drawings for the correct installation of wires/cables with current-carrying shields.

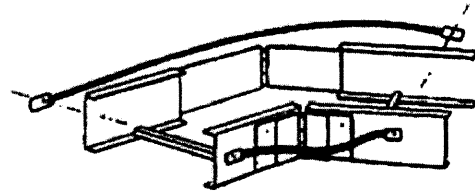
3.12.2 Grounding of Cable Trays

Metal cable trays shall be grounded and be electrically continuous systems in accordance with KSC-STD-E-0012, and NFPA 70, Article 392.7. See Figure 7 (examples A through D) for specific areas requiring bonding for electrical continuity. The use of aluminum and steel cable trays

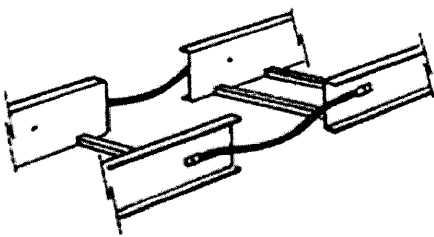
is permitted as an equipment grounding conductor (EGC) in accordance with NFPA 70, Article 392, when labeled and marked within the available cross-sectional area. If the cable tray is to be used as an EGC, bonding jumpers must be installed on both side rails at the locations illustrated in examples A through D, unless the splice plates meet the electrical continuity requirements of NEMA VE 1. If the connectors are UL-classified, it is not necessary to use bonding jumpers or a continuous ground. It is not necessary to install bonding jumpers at standard rigid aluminum or galvanized steel splice plate connections or offset reducing splice plate connections or any UL-classified connectors. For rigid splice plate connections of materials and finishes other than aluminum or galvanized steel, bonding jumpers may be required. For example, stainless steel splice plates may require bonding jumpers depending upon their UL classification.



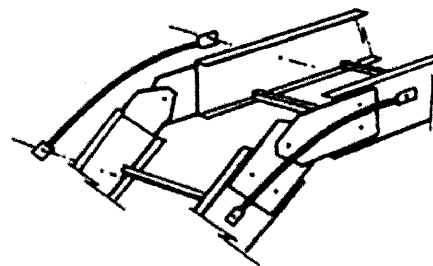
A. Expansion Splice Plates



B. Horizontal Adjustable Splice Plates



C. Discontinuous Segments



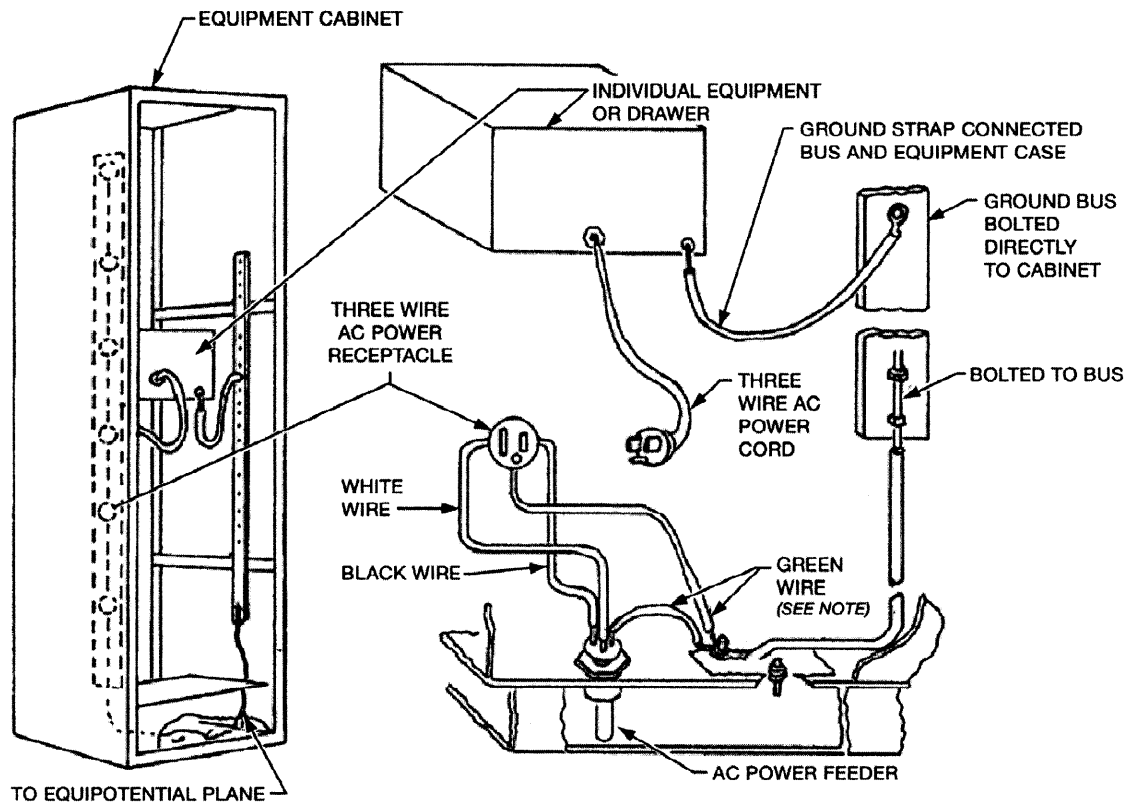
D. Cable Tray Sections
Vertical Adjustable Splice Plate

Figure 7. Installation of Cable Tray Grounds

KSC-E-166C
March 20, 2009

3.12.3 Grounding of Equipment Racks

Racks and cabinets shall be bonded to the nearest point of the equipotential plane. Each individual unit or piece of equipment should either be bonded to its rack or cabinet or have its case or chassis bonded to the nearest point on the equipotential plane. Bonding between the equipment chassis and the rack shall be achieved through a contact between the equipment panels and the rack brackets or electrical bond strap. The brackets shall be bonded to the rack frame. A ground stud shall be provided on the rack to interconnect the rack structure to the facility ground system. Figure 8 shows a typical bonding scheme for racks/enclosures. Where hinges are used, an alternate electrical path shall be established by using thin, flexible straps across the hinges. Figure 9 illustrates a proper grounding/bonding configuration for the equipment, enclosure, panel, and cable tray. Standard MS-type connectors and coaxial connectors must be bonded to their respective panels over the entire mating surfaces as illustrated in Figure 10. Panel surfaces must be cleaned to the base metal for no less than 0.32 cm (1/8 in) beyond the periphery of the mating connector.



NOTE: Size of green wire conductor to be same or larger than that of AC input.

Figure 8. Typical Bonding Scheme for Racks/Enclosures

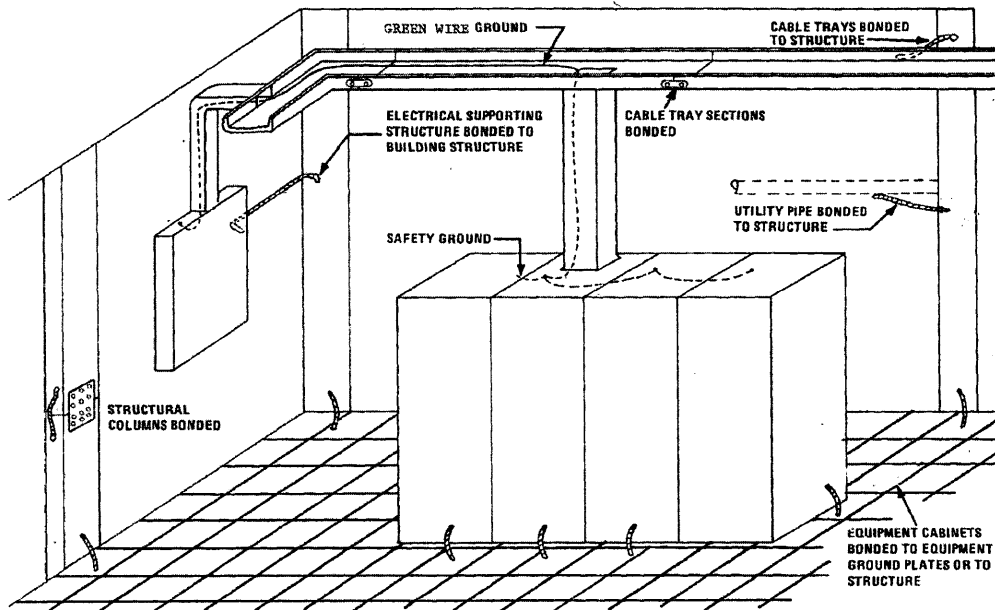


Figure 9. Equipment Enclosure, Panel, and Cable Tray Grounding/Bonding Configuration

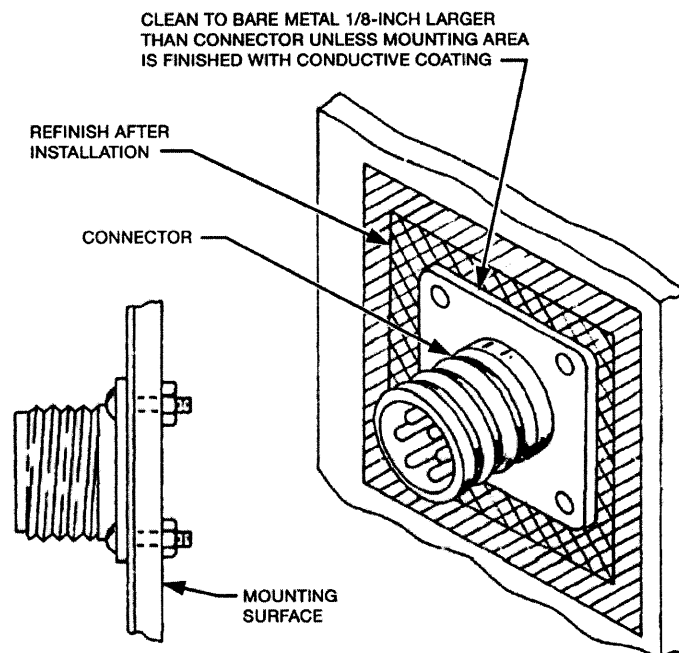


Figure 10. Bonding of Connector to Mounting Surface of Rack/Enclosure

KSC-E-166C
March 20, 2009

3.13 Touchup and Cleanup

General touchup or repainting of damaged items such as panels, consoles, junction boxes, and other such items shall be done to restore their original finish and color (see FED-STD-595 and MIL-STD-171). Temporary identification decals and tags shall be removed. Exterior surfaces of consoles and racks shall be cleaned; interiors of consoles, racks, junction boxes, distributor boxes, and other such items shall be vacuumed. Oil and grease shall be removed with nonmetallic sponges soaked with a solvent meeting the requirements of MIL-PRF-680. Cleanup shall be accomplished prior to the final inspection.

4. QUALITY ASSURANCE PROVISIONS

The supplier shall be responsible for the performance of all inspection and test requirements specified in the design or contract specification and as specified herein. Except as otherwise specified, the supplier may use its own or any other inspection and test facilities and services acceptable to NASA. Inspection and test records shall be kept complete and, upon request, shall be made available to the contracting officer. (See Appendix A for sample inspection sheet forms.) The contracting officer reserves the right to perform any or all of the inspections and tests set forth in the specification to ensure that the end item conforms to the prescribed requirements. Inspection, testing, and validation of installed cables, GSE assemblies, and subsystems shall be conducted by the contracting officer or his/her designated representatives. Tests on cable/wire installations in particular shall include, at a minimum, visual inspections and any continuity, dielectric withstanding voltage (DWV)/Hipot testing and insulation resistance (IR)/megometer, testing prescribed in applicable engineering or validation documentation.

5. PREPARATION FOR DELIVERY

There are no applicable requirements.

6. NOTES

6.1 Intended Use

This specification is intended for use by contractors in the installation and assembly of electrical ground support equipment. This specification is also intended for use by the Engineering Directorate to ensure all requirements and specifications for assembly and installation of electrical GSE are accomplished as established in written contract(s) and engineering drawings. In addition to other available resources, the Engineering Directorate shall use Appendix B, Design Engineering Checklist, as a guide when preparing engineering drawings, documentation, and contracts.

6.2 Definitions

For the purpose of this specification, the following definition shall apply:

Short signs: Used to designate a component without giving complete reference designation; i.e., resistor R1 within enclosure 5601 would be “R1” instead of “5601 R1.”

6.3 Notice

The Government drawings, specifications, and/or data are prepared for the official use by, or on the behalf of, the United States Government. The Government neither warrants these Government drawings, specifications, or other data, nor assumes any responsibility or obligation, for their use for purposes other than the Government project for which they were prepared and/or provided by the Government, or an activity directly related thereto. The fact that the Government may have formulated, furnished, or in any way supplied the said drawings, specifications, or other data is not to be regarded, by implication or otherwise, as licensing in any manner the holder or any other person or corporation, nor conveying the right or permission, to manufacture, use, or sell any patented invention that may relate thereto.

Custodian:

NASA – John F. Kennedy Space Center
Kennedy Space Center, Florida 32899

Preparing Activity:

John F. Kennedy Space Center
Engineering Directorate
Electrical Division

KSC-E-166C
March 20, 2009

This page intentionally left blank

KSC-E-166C
March 20, 2009

APPENDIX A. SAMPLE INSPECTION CHECKLIST

Dwg/Code	Item of Work	Checkpoint			
		Approved	Rejected	Signature	
	GROUNDING				
	(a) CHECK CONNECTIONS FOR TIGHTNESS AND CORRECT FITTINGS				
	(b) CHECK GROUND SURFACES FOR COMPOUND COATING				
	(c) CHECK EQUIPMENT, ETC., FOR GROUND CONNECTIONS				
	(d) CHECK ISOLATED CONDUIT FOR GROUNDING				
	MOTOR STARTER				
	(a) CONTROL TRANSFORMER – SIZE, VOLTAGE				
	(b) COIL VOLTAGE				
	(c) THERMAL OVERLOAD RELAYS – HEATER SIZE				
	(d) LOCATION				
	(e) INSTALLATION				
	(f) CONDUIT TERMINATIONS				
	(g) CABLE TERMINATIONS				
	(h) TAP PERCENT SETTING				
	(i) GROUNDING				
	(j) OPERATION				
	(k) CONTACTS CLEAN				
		Checked by Contractor	Date	NASA Approved	Date

KSC-E-166C
March 20, 2009

Dwg/Code	Item of Work	Checkpoint			
		Approved	Rejected	Signature	
DXXXXXXX	POWER SUPPLY (PURCHASED ITEM)				
	(a) SHEET METAL DETAILS				
	(b) SHEET METAL ASSEMBLY				
	(c) PANEL FINISH AND SILKSCREEN				
	(d) ELECTRICAL COMPONENTS INSTALLATION				
	(e) WIRE ROUTING AND INSTALLATION				
	(f) WIRE TERMINATIONS				
	(g) ELECTRICAL RINGOUT				
	(h) ACCEPTANCE CHECKOUT PROCEDURE				
	(i) FINISH				
D75XXX-XX	HARNESS ASSEMBLY (37XXXX) 35 FT				
	(a) CORRECT LENGTH				
	(b) CORRECT TERMINATORS – CONNECTOR, LUG, SHIELDING				
	(c) CONNECTOR PIN AND SOCKETS – FREE OF DEFECTS AND IMPERFECTIONS				
	(d) IDENTIFICATION				
	(e) INSTALLATION				
	(f) TERMINATIONS – EQUIPMENT				
	(g) TESTING-ISOLATING (CABLES DISCONNECTED FROM COMPONENTS)				
	(h) CABLE FREE OF DEFECTS AND IMPERFECTIONS				
		Checked by Contractor	Date	NASA Approved	Date

KSC-E-166C
March 20, 2009

Dwg/Code	Item of Work	Checkpoint			
		Approved	Rejected	Signature	
JXXXXXXX	PANEL DISTRIBUTOR				
	(a) SHEET METAL DETAILS				
	(b) SHEET METAL ASSEMBLY				
	(c) TERMINAL BOARD ASSEMBLY				
	(d) ELECTRICAL COMPONENTS INSTALLATION				
	(e) WIRE ROUTING AND INSTALLATION				
	(f) WIRE TERMINATIONS				
	(g) ELECTRICAL RINGOUT				
	(h) ACCEPTANCE CHECKOUT PROCEDURE				
D75XXX-X	CABLE ASSEMBLY (55XXXX) 10 FT.				
	(a) CABLE FREE OF DEFECTS AND IMPERFECTIONS				
	(b) CABLE LENGTH				
	(c) CORRECT CONNECTOR AND CONNECTORS				
	(d) CONNECTOR - SOLDERING				
	(e) POTTING AND MOLDING OF CONNECTOR AND CONNECTORS				
	(f) CABLE IDENTIFICATION MARKERS				
	(g) IR and DWV TESTS				
	(h) CONTINUITY CHECK				
		Checked by Contractor	Date	NASA Approved	Date

KSC-E-166C
March 20, 2009

Dwg/Code	Item of Work	Checkpoint			
		Approved	Rejected	Signature	
JXXXXXXX	JUNCTION BOX 59XXX				
	(a) LOCATION				
	(b) INSTALLATION				
	(c) CONDUIT TERMINATION				
	(d) CABLE INSTALLATION				
	(e) JUNCTION BOX FINISH				
	CONDUIT SYSTEM (BASEMENT)				
	(a) CONDUIT FREE OF DEFECTS AND DEFORMATION				
	(b) CUTTING CONDUIT - SQUARE ENDS				
	(c) REAM CUT END TO DEBURR AND REMOVE SHARP EDGES				
	(d) COAT JOINT WITH RED OR WHITE LEAD				
	(e) THREADS PULLED UP TIGHT				
	(f) EXCESS LEAD REMOVED AFTER CONDUIT SCREWED TOGETHER				
	(g) SUPPORT, TIGHT AND AT SPECIFIED DISTANCES				
	(h) CONDUIT TERMINATION WITH DOUBLE LOCKNUT AND INSULATED BUSHING (IF REQUIRED)				
	(i) SMOOTH, WELL-FORMED ENDS				
		Checked by Contractor	Date	NASA Approved	Date

APPENDIX B. DESIGN ENGINEERING CHECKLIST

Specify requirements for preparation of EGSE for shipment and/or storage and ensure these requirements are addressed in the contract, engineering drawings, and engineering documentation.

Specify requirements for transportation of parts, materials, supplies, and equipment to the installation site.

Specify storage requirements, including but not limited to the following:

- a. designated storage area(s),
- b. protection of parts, materials, equipment, and supplies at installation site prior to and during installation,
- c. any pre- or post-environmental conditioning required,
- d. procedures for temperature and/or humidity monitoring and control when and where required,
- e. use of portable conditioning units or chemical dehumidifiers (air, heat, humidity), and
- f. protective covers to be installed prior to and after installation.

Describe the installation process, including but not limited to the following:

- a. defined procedure for turning over EGSE to an installation contractor with specific installation instructions,
- b. site safety requirements and certification requirements for local support contractor technicians performing the installation,
- c. installation of equipment into existing enclosures,
- d. definition, identification, and verification of critical clearances, cable runs, and terminations,
- e. procedure for locating, installing, and securing racks and enclosures, including bolting racks together,
- f. requirements and procedures for maintaining EMI integrity,
- g. requirements and procedures for labeling parts, equipment, cables, racks, assemblies, and subassemblies,

KSC-E-166C
March 20, 2009

- h. proper use of and adherence to wiring lists and schematics,
- i. reference to circuit isolation devices (CIDs) and use during installation process, and
- j. requirements for adherence to all local, state, and Federal standards and specifications (i.e., NFPA, NEC, OSHA, NASA, and KSC).

Define the requirements and/or provide the procedure for connection of the following:

- a. power,
- b. communications and data,
- c. isolation, and
- d. safety wiring connectors.

Define postinstallation requirements, including, but not limited to the following:

- a. verification of proper installation,
- b. any post-installation environmental conditioning and storage requirements,
- c. procedures for required continuous temperature and/or humidity monitoring and control,
- d. use of portable conditioning units or chemical dehumidifiers (air, heat, humidity),
- e. protective covers to be placed after installation,
- f. integrity seals,
- g. requirements and procedures for validation of proper system operation, and
- h. final acceptance by customer.

STANDARDIZATION DOCUMENT IMPROVEMENT PROPOSAL

INSTRUCTIONS

1. The preparing activity must complete blocks 1, 2, 3, and 8. In block 1, both the document number and revision letter should be given.
2. The submitter of this form must complete blocks 4, 5, 6, and 7.
3. The preparing activity must provide a reply within 30 days from receipt of the form.

NOTE: This form may not be used to request copies of documents, nor to request waivers or clarification of requirements on current contracts. Comments submitted on this form do not constitute or imply authorization to waive any portion of the referenced document or to amend contractual requirements.

I RECOMMEND A CHANGE:	1. DOCUMENT NUMBER KSC-E-166C	2. DOCUMENT DATE March 20, 2009
3. DOCUMENT TITLE Installation and Assembly, Electrical Ground Support Equipment (GSE), Specification for		
4. NATURE OF CHANGE <i>(Identify paragraph number and include proposed rewrite, if possible. Attach extra sheets as needed.)</i>		
5. REASON FOR RECOMMENDATION		
6. SUBMITTER		
a. NAME <i>(Last, First, Middle Initial)</i>	b. ORGANIZATION	
c. ADDRESS <i>(Include Zip Code)</i>	d. TELEPHONE <i>(Include Area Code)</i>	7. DATE SUBMITTED
8. PREPARING ACTIVITY		
a. NAME <i>(Last, First, Middle Initial)</i> Denson, Erik C.	b. ORGANIZATION Engineering Directorate, Electrical Division	
c. ADDRESS <i>(Include zip code)</i> Kennedy Space Center, FL 32899		