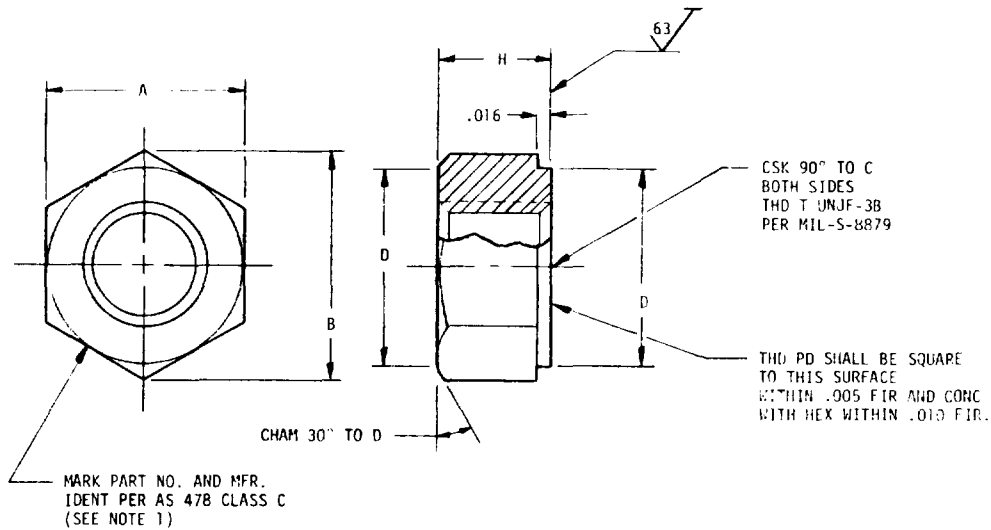


FED. SUP CLASS
5310

USER SYMBOLS:

REVIEWER SYMBOLS:



PART NO.	THREAD T	A	B MIN	C DIA +.020 -.010	D DIA	H	APPROX WEIGHT LB/100
MS9881-04	.112-48	.243-.251	.277	.122	.250	.136	.15
MS9881-06	.138-40	.305-.313	.347	.148	.312	.136	.27
MS9881-08	.164-36	.336-.345	.383	.174	.344	.136	.32
MS9881-09	.190-32	.367-.376	.419	.200	.375	.156	.43
MS9881-10	.250-28	.430-.439	.491	.260	.438	.219	.76
MS9881-11	.3125-24	.492-.502	.561	.322	.500	.266	1.13
MS9881-12	.375-24	.553-.564	.631	.385	.562	.328	1.62
MS9881-13	.4375-20	.679-.690	.775	.448	.688	.375	2.94
MS9881-14	.500-20	.741-.752	.846	.510	.750	.438	3.85
MS9881-15	.5625-18	.865-.877	.987	.572	.875	.484	6.02
MS9881-16	.625-18	.928-.940	1.059	.635	.938	.547	7.48
MS9881-17	.750-16	1.052-1.064	1.200	.760	1.062	.656	10.66
MS9881-18	.875-14	1.239-1.252	1.414	.885	1.250	.766	17.43
MS9881-19	1.000-12	1.427-1.440	1.628	1.010	1.438	.875	26.67

- MULTIPLE MARKING OF BAR STOCK IS PERMISSIBLE PROVIDED POSITIVE IDENTIFICATION IS SHOWN. PARTS SHALL BE MARKED BEFORE THREADING. DASH NUMBERS MAY APPEAR ON ADJACENT FLATS.
- MATERIAL: STEEL AMS 6322.
- HARDNESS: ROCKWELL C26-32.
- FINISH: CADMIUM PLATE PER AMS 2400. DIMENSIONS SPECIFIED ARE AFTER PLATING.
- SURFACE TEXTURE: USAS B46.1-1962. UNLESS OTHERWISE SPECIFIED SURFACES TO BE 125 MICROINCHES EXCEPT HEX FACES.
- MAGNETIC PARTICLE INSPECTION PER AMS 2640 AFTER PLATING.
- BREAK SHARP EDGES .003 - .015 UNLESS OTHERWISE SPECIFIED.
- DIMENSIONS IN INCHES. UNLESS OTHERWISE SPECIFIED, TOLERANCES: LINEAR DIMENSION ± .010, ANGULAR DIMENSIONS ± 5'.
- DO NOT USE UNASSIGNED PART NUMBERS.

* CERTAIN PROVISIONS (LIMITS OF SIZE FOR ACROSS-FLATS DIMENSIONS) OF THIS STANDARD ARE THE SUBJECT OF INTERNATIONAL STANDARDIZATION AGREEMENT ABC AIR STD 17/2. WHEN REVISION OR CANCELLATION OF THIS STANDARD IS PROPOSED, THE DEPARTMENTAL CUSTODIAN WILL INFORM THEIR RESPECTIVE DEPARTMENTAL STANDARDIZATION OFFICE SO THAT APPROPRIATE ACTION MAY BE TAKEN RESPECTING THE INTERNATIONAL AGREEMENT CONCERNED.

(A) CANCEL AFTER 25 SEP 1981. NO SUPERSEDING STANDARD.

(B) REINSTATE AFTER 16 APRIL 1982

AS & AMS ARE SOCIETY OF AUTOMOTIVE ENGINEERS, INC. PUBLICATIONS. THIS STANDARD WAS DEVELOPED COOPERATIVELY WITH THE MILITARY SERVICES BY THE SAE AEROSPACE PROPULSION DIVISION.

APPROVED 27 MAY 68 REVISED A 25 SEP 81 B 16 APR 82

"Review/user information is current as of the date of this document. For future coordination of changes to this document, draft circulation should be based on the information in the current DODISS."

This military standard is approved for use by all Departments & Agencies of the Department of Defense. Selection for all new engineering and design applications and for repetitive use shall be made from this document.

P.A. NAVY - AS Other Cust ARMY - AV	INTERNATIONAL INTERESTS *	TITLE	MILITARY STANDARD	
		MS9881	MS9881	
PROCUREMENT SPECIFICATION	SUPERSEDES:	SHEET	OF	