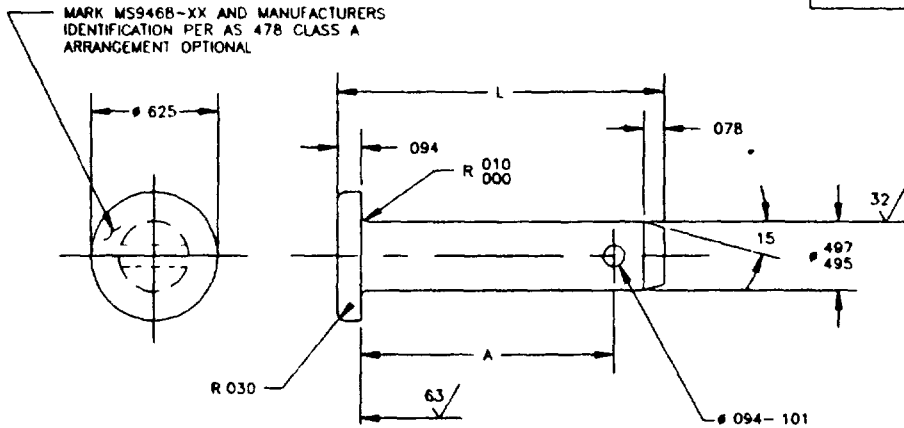


THE REQUIREMENTS FOR ACQUIRING THE PRODUCT(S) DESCRIBED HEREIN SHALL CONSIST OF THIS SPECIFICATION SHEET AND THE ISSUE OF THE FOLLOWING SPECIFICATION LISTED IN THAT ISSUE OF THE DOSSB SPECIFIED IN THE SOLICITATION NONE

THIS SPECIFICATION IS APPROVED FOR USE BY ALL DEPARTMENTS AND AGENCIES OF THE DEPARTMENT OF DEFENSE

Form Approved  
OMB No 0704-0188



PART NUMBER	A	L	APPROX WEIGHT LB/100	PART NUMBER	A	L	APPROX WEIGHT LB/100	PART NUMBER	A	L	APPROX WEIGHT LB/100
MS9468-10	517	750	4 45	MS9468-22	1 267	1 500	8 59	MS9468-38	2 267	2 500	14 12
MS9468-11	579	812	4 79	MS9468-23	1 329	1 562	8 93	MS9468-39	2 329	2 562	14 46
MS9468-12	642	875	5 14	MS9468-24	1 392	1 625	9 28	MS9468-40	2 392	2 625	14 81
MS9468-13	704	938	5 49	MS9468-25	1 454	1 688	9 63	MS9468-41	2 454	2 688	15 16
MS9468-14	767	1 000	5 83	MS9468-26	1 517	1 750	9 91	MS9468-42	2 517	2 750	15 50
MS9468-15	829	1 062	6 17	MS9468-27	1 579	1 812	10 32	MS9468-43	2 579	2 812	15 85
MS9468-16	892	1 125	6 52	MS9468-28	1 642	1 875	10 66	MS9468-44	2 642	2 875	16 19
MS9468-17	954	1 188	6 87	MS9468-29	1 704	1 938	11 01	MS9468-45	2 704	2 938	16 54
MS9468-18	1 017	1 250	7 21	MS9468-30	1 767	2 000	11 35	MS9468-46	2 767	3 000	16 88
MS9468-19	1 079	1 312	7 55	MS9468-31	1 829	2 062	11 70	MS9468-47	2 829	3 062	17 22
MS9468-20	1 142	1 375	7 90	MS9468-32	1 892	2 125	12 05	MS9468-48	2 892	3 125	17 57
MS9468-21	1 204	1 438	8 25	MS9468-33	1 954	2 188	12 40	MS9468-49	2 954	3 188	17 92
				MS9468-34	2 017	2 250	12 74	MS9468-50	3 017	3 250	18 26
				MS9468-35	2 079	2 312	13 08				
				MS9468-36	2 142	2 375	13 43				
				MS9468-37	2 204	2 438	13 78				

REQUIREMENTS

- MATERIAL CORROSION AND HEAT RESISTANT STEEL IN ACCORDANCE WITH AMS 5735
- SURFACE TEXTURE SURFACE TEXTURE SHALL BE IN ACCORDANCE WITH ANSI/ASME B46.1 UNLESS OTHERWISE SPECIFIED SURFACES TO BE 125 MICRONS
- INSPECTION PART SHALL BE SUBJECT TO FLUORESCENT PENETRANT INSPECTION IN ACCORDANCE WITH AMS 2645
- EDGES BREAK SHARP EDGES 003-015 UNLESS OTHERWISE SPECIFIED
- TOLERANCES UNLESS OTHERWISE SPECIFIED LINEAR DIMENSIONS ± 010 ANGULAR ± 5'

NOTES

- ALL DIMENSION ARE IN INCHES
- DO NOT USE UNASSIGNED PART NUMBERS
- AS AND AMS ARE SOCIETY OF AUTOMOTIVE ENGINEERS, INC PUBLICATIONS
- THIS STANDARD WAS DEVELOPED COOPERATIVELY WITH THE ENGINE AND PROPELLER UTILITY PARTS COMMITTEE OF THE SAE
- IN THE EVENT OF A CONFLICT BETWEEN THE TEXT OF THIS DOCUMENT AND THE REFERENCES CITED HEREIN THE TEXT OF THIS DOCUMENT SHALL TAKE PRECEDENCE
- UNLESS OTHERWISE SPECIFIED ISSUES OF REFERENCED DOCUMENTS ARE THOSE IN EFFECT AT THE TIME OF SOLICITATION

(A) ENTIRE SPECIFICATION REVISED

INCH-POUND

PREPARING ACTIVITY DLA-IS CUSTODIANS ARMY- NAVY- AS AIR FORCE- 11 DLA- REVIEW AS 11 USER PROJECT NUMBER 5315-0501	MILITARY SPECIFICATION SHEET TITLE PIN, STRAIGHT, HEADED 497 DIAMETER AMS 5735	SPECIFICATION SHEET NUMBER MS9468 26 OCT 94 REV A SUPERSEDING MS9468 (ASG) 6 NOV 84 AMSC- N/A FSC 5315
DISTRIBUTION STATEMENT A Approved for public release distribution is unlimited		Page 1 of 1