

USER ACTIVITIES:
ARMY-ER

REVERSE ACTIVITIES:
ARMY-MI
AIR FORCE-82, 85
DLA-1S

DISTRIBUTION STATEMENT A. Approved for public release; distribution is unlimited.

This military standard is approved for use by all Departments and Agencies of the Department of Defense. Selection for all new engineering and design applications and for repetitive use shall be made from this document, when applicable.

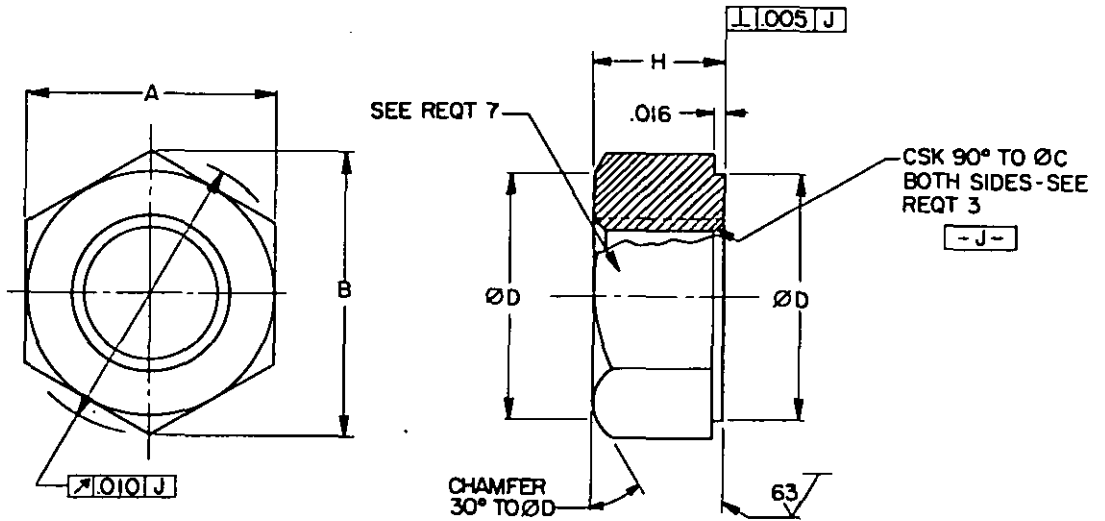


TABLE 1. DASH NUMBERS AND DIMENSIONS.

DASH NUMBER	T THREAD UNJF-3B	A		B	$\varnothing C$	$\varnothing D$	H	APPROX WEIGHT LB/100
		MIN	MAX					
-04	.112-4R	.243	.251	.277	.122	.250	.136	.18
-06	.138-40	.305	.313	.347	.148	.312	.136	.29
-08	.164-36	.336	.345	.383	.174	.344	.136	.33
-09	.190-32	.367	.376	.419	.200	.375	.156	.43
-10	.250-28	.430	.439	.491	.260	.438	.219	.77
-11	.3125-24	.492	.502	.561	.322	.500	.266	1.13
-12	.375-24	.553	.564	.631	.385	.562	.328	1.68
-13	.4375-20	.679	.690	.775	.448	.688	.375	2.87
-14	.500-20	.741	.752	.846	.510	.750	.438	3.97
-15	.5625-18	.865	.877	.987	.572	.875	.484	6.19
-16	.625-18	.928	.940	1.059	.635	.938	.547	7.70
-17	.750-16	1.052	1.064	1.200	.760	1.062	.656	10.95
-18	.875-14	1.239	1.252	1.414	.885	1.250	.766	17.93
-19	1.000-12	1.427	1.440	1.628	1.010	1.438	.875	27.40

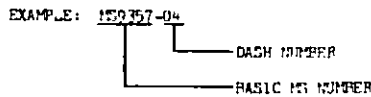
ⓑ ENTIRE STANDARD REVISED

P. A. NAVY-AS Other Cost ARMY-AV	INTERNATIONAL INTEREST	TITLE NUT, PLAIN, HEXAGON-A-286, SILVER PLATED	MILITARY STANDARD MS9357
PROCUREMENT SPECIFICATION NONE	SUPERSEDES:	PAGE 1 OF 2	

FED. SUP CLASS
5310

REQUIREMENTS:

1. MATERIAL: CORROSION AND HEAT RESISTANT STEEL IN ACCORDANCE WITH AMS 5732 OR AMS 5737.
2. FINISH: SILVER PLATE IN ACCORDANCE WITH AMS 2430, .0002-.0006 THICK AT THREAD PD. DIMENSIONS SPECIFIED ARE AFTER PLATING.
3. THREADS: THREADS IN ACCORDANCE WITH MIL-S-8879.
4. DIMENSIONING AND TOLERANCING: DIMENSIONING AND TOLERANCING SHALL BE IN ACCORDANCE WITH ANSI Y14.5M.
5. SURFACE TEXTURE: SURFACE TEXTURE, UNLESS OTHERWISE SPECIFIED, SHALL BE 125 MICROINCHES EXCEPT HEXAGON FACE IN ACCORDANCE WITH ANSI B46.1.
6. FLUORESCENT PENETRANT INSPECTION: FLUORESCENT PENETRANT INSPECTION SHALL BE IN ACCORDANCE WITH MIL-STD-883C BEFORE PLATING.
7. MARKING: MARK PART NUMBER AND MANUFACTURER'S IDENTIFICATION IN ACCORDANCE WITH AMS 478-79, CLASS C. MULTIPLE MARKING OF BAR STOCK IS PERMISSIBLE PROVIDED POSITIVE IDENTIFICATION IS SHOWN. PARTS SHALL BE MARKED BEFORE THREADING. DASH NUMBERS MAY APPEAR ON ADJACENT FLATS.
8. TOLERANCES: UNLESS OTHERWISE SPECIFIED, TOLERANCES SHALL BE FOR LINEAR DIMENSIONS $\pm .010$, ANGULAR DIMENSIONS $\pm 5^\circ$.
9. EDGES: BREAK SHARP EDGES .003-.015 UNLESS OTHERWISE SPECIFIED.
10. PART NUMBER: THE PART NUMBER SHALL CONSIST OF THE BASIC MS NUMBER FOLLOWED BY A DASH NUMBER FROM TABLE 1.



MS9357-04 INDICATES: NUT, PLAIN, HEXAGON - A-286, SILVER PLATED; .112-.48 UNF-1F

NOTES:

1. ALL DIMENSIONS ARE IN INCHES.
2. DO NOT USE UNASSIGNED PART NUMBERS.
3. IN THE EVENT OF A CONFLICT BETWEEN THE TEXT OF THIS STANDARD AND THE REFERENCES CITED HEREIN, THE TEXT OF THIS STANDARD SHALL TAKE PRECEDENCE.
4. REFERENCED GOVERNMENT (OR NON-GOVERNMENT) DOCUMENTS OF THE ISSUE LISTED IN THAT ISSUE OF THE DEPARTMENT OF DEFENSE INDEX OF SPECIFICATIONS AND STANDARDS (DODICS) SPECIFIED IN THE SOLICITATION FORM A PART OF THIS STANDARD TO THE EXTENT SPECIFIED HEREIN.
5. THIS STANDARD WAS DEVELOPED COOPERATIVELY WITH THE SAE AEROSPACE PROPULSION DIVISION.
6. AS AND AMS ARE SAE PUBLICATIONS.
7. CERTAIN PROVISIONS (LIMITS OF SIZE FOR ACROSS-FLAT DIMENSIONS) OF THIS STANDARD ARE THE SUBJECT OF INTERNATIONAL STANDARDIZATION AGREEMENT ASCC AIR STD 1742. WHEN REVISION OR CANCELLATION OF THIS STANDARD IS PROPOSED, THE DEPARTMENTAL CUSTODIAN WILL INFORM THEIR RESPECTIVE DEPARTMENTAL STANDARDIZATION OFFICE SO THAT APPROPRIATE ACTION MAY BE TAKEN RESPECTING THE INTERNATIONAL AGREEMENT CONCERNED.

APPROVED 26 JUN 63 REVISED (B) FOR CHANGES SEE PAGES 1 AND 2

P. A. NAVY-AS Other Cust ARMY-AV	INTERNATIONAL INTEREST	TITLE	MILITARY STANDARD
		NUT, PLAIN, HEXAGON-A-286, SILVER PLATED	MS9357
PROCUREMENT SPECIFICATION NONE	SUPERSEDES:	PAGE 2 OF 2	

USER ACTIVITIES:
ARMY - ER

REVIEWER ACTIVITIES:
ARMY - MI
AIR FORCE - 82,85
DLA - 1S

This military standard is approved for use by all Departments and Agencies of the Department of Defense. Selection for all new engineering and design applications and for repetitive use shall be made from this document when applicable.