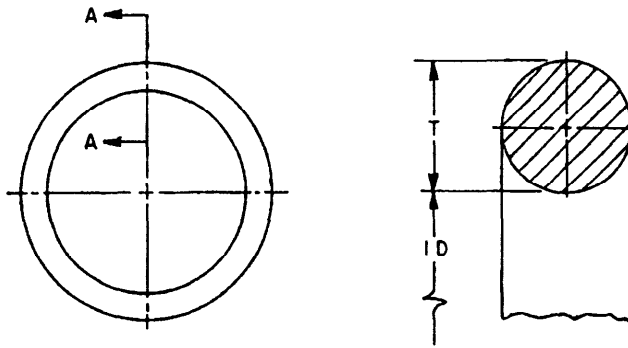


FED. SUP CLASS
5330



SECTION A-A

TABLE 1. DASH NUMBERS AND DIMENSIONS

DASH NUMBER	ID INCH		ID (mm)		T INCH		T (mm)		APPROX MASS	
	MIN	MAX	MIN	MAX	MIN	MAX	MIN	MAX	LB/100	KG/100
-001	0.025	0.033	0.635	0.838	0.037	0.043	0.940	1.092	.001	.0004
-002	0.038	0.046	0.965	1.168	0.047	0.053	1.194	1.346	.003	.0014
-003	0.052	0.060	1.321	1.524	0.057	0.063	1.448	1.600	.005	.0023
-004	0.065	0.075	1.65	1.90	0.067	0.073	1.702	1.854	.008	.0036
-005	0.096	0.106	2.44	2.69	0.067	0.073	1.702	1.854	.010	.0045
-006	0.109	0.119	2.77	3.02	0.067	0.073	1.702	1.854	.010	.0045
-007	0.140	0.150	3.56	3.81	0.067	0.073	1.702	1.854	.012	.0054
-008	0.171	0.181	4.34	4.60	0.067	0.073	1.702	1.854	.014	.0064
-009	0.203	0.213	5.16	5.41	0.067	0.073	1.702	1.854	.016	.0073
-010	0.234	0.244	5.94	6.20	0.067	0.073	1.702	1.854	.017	.0077
-011	0.296	0.306	7.52	7.77	0.067	0.073	1.702	1.854	.021	.0095
-012	0.359	0.369	9.12	9.37	0.067	0.073	1.702	1.854	.024	.011
-013	0.421	0.431	10.69	10.95	0.067	0.073	1.702	1.854	.028	.013
-014	0.484	0.494	12.29	12.55	0.067	0.073	1.702	1.854	.031	.014
-015	0.546	0.556	13.87	14.12	0.067	0.073	1.702	1.854	.034	.015
-016	0.609	0.619	15.47	15.72	0.067	0.073	1.702	1.854	.038	.017
-017	0.671	0.681	17.04	17.30	0.067	0.073	1.702	1.854	.041	.019
-018	0.734	0.744	18.64	18.90	0.067	0.073	1.702	1.854	.045	.020
-019	0.795	0.807	20.19	20.50	0.067	0.073	1.702	1.854	.048	.022
-020	0.858	0.870	21.79	22.10	0.067	0.073	1.702	1.854	.052	.024
-021	0.920	0.932	23.37	23.67	0.067	0.073	1.702	1.854	.055	.025
-022	0.983	0.995	24.97	25.27	0.067	0.073	1.702	1.854	.059	.027
-023	1.045	1.057	26.54	26.85	0.067	0.073	1.702	1.854	.062	.028
-024	1.108	1.120	28.14	28.45	0.067	0.073	1.702	1.854	.066	.030
-025	1.170	1.182	29.72	30.02	0.067	0.073	1.702	1.854	.069	.031
-026	1.233	1.245	31.32	31.62	0.067	0.073	1.702	1.854	.073	.033
-027	1.295	1.307	32.89	33.20	0.067	0.073	1.702	1.854	.076	.034
-028	1.358	1.370	34.49	34.80	0.067	0.073	1.702	1.854	.080	.036
-029	1.479	1.499	37.57	38.07	0.067	0.073	1.702	1.854	.086	.039
-030	1.604	1.624	40.74	41.25	0.067	0.073	1.702	1.854	.094	.043
-031	1.729	1.749	43.92	44.42	0.067	0.073	1.702	1.854	.101	.046
-032	1.854	1.874	47.09	47.60	0.067	0.073	1.702	1.854	.108	.049
-033	1.979	1.999	50.27	50.77	0.067	0.073	1.702	1.854	.114	.052
-034	1.104	2.124	53.44	53.95	0.067	0.073	1.702	1.854	.121	.055
-035	1.229	2.249	56.62	57.12	0.067	0.073	1.702	1.854	.128	.058
-036	2.354	2.374	59.79	60.30	0.067	0.073	1.702	1.854	.135	.061
-037	2.479	2.499	62.97	63.47	0.067	0.073	1.702	1.854	.142	.064
-038	2.604	2.624	66.14	66.65	0.067	0.073	1.702	1.854	.149	.068
-039	2.724	2.754	69.19	69.95	0.067	0.073	1.702	1.854	.156	.071
-040	2.849	2.879	72.36	73.13	0.067	0.073	1.702	1.854	.163	.074
-041	2.974	3.004	75.54	76.30	0.067	0.073	1.702	1.854	.170	.077
-042	3.224	3.254	81.89	82.65	0.067	0.073	1.702	1.854	.184	.083
-043	3.474	3.504	88.24	89.00	0.067	0.073	1.702	1.854	.198	.090
-044	3.724	3.754	94.59	95.35	0.067	0.073	1.702	1.854	.212	.096
-045	3.974	4.004	100.94	101.70	0.067	0.073	1.702	1.854	.226	.102

ⓐ ENTIRE STANDARD REVISED

USER ACTIVITIES:

REVIEWER ACTIVITIES:
AIR FORCE - 99
DLA - IS

DISTRIBUTION STATEMENT A. Approved for public release; distribution is unlimited.
This military standard is approved for use by all Departments and Agencies of the Department of Defense.
Selection for all new engineering and design applications and for repetitive use shall be made from this document when applicable.

P.A. NAVY - AS Other Cust ARMY - AV AIR FORCE - II	INTERNATIONAL INTEREST	TITLE PACKING, PREFORMED - RUBBER, 'o' RING	MILITARY STANDARD
			MS 9241
PROCUREMENT SPECIFICATION	SUPERSEDES:	PAGE	1 OF 8

AHSC N/A

DD FORM 672-1 (COORDINATED) MAY 73

PREVIOUS EDITIONS OF THIS FORM ARE OBSOLETE

5330-0641

APPROVED 3 JUN 60 REVISED 25 JUL 86

TABLE 1. DASH NUMBERS AND DIMENSIONS - CONTINUED

DASH NUMBER	ID INCH		ID (mm)		T INCH		T (mm)		APPROX MASS	
	MIN	MAX	MIN	MAX	MIN	MAX	MIN	MAX	LB/100	KG/100
-046	4.224	4.254	107.29	108.05	0.067	0.073	1.702	1.854	.240	.109
-047	4.474	4.504	113.64	114.40	0.067	0.073	1.702	1.854	.254	.115
-048	4.724	4.754	119.99	120.75	0.067	0.073	1.702	1.854	.267	.121
-049	4.966	5.012	126.14	127.30	0.067	0.073	1.702	1.854	.281	.127
-050	5.216	5.262	132.49	133.65	0.067	0.073	1.702	1.854	.295	.134
-102	0.044	0.054	1.12	1.37	0.100	0.106	2.540	2.692	.018	.008
-103	0.076	0.086	1.93	2.18	0.100	0.106	2.540	2.692	.022	.010
-104	0.107	0.117	2.72	2.97	0.100	0.106	2.540	2.692	.026	.012
-105	0.138	0.148	3.51	3.76	0.100	0.106	2.540	2.692	.029	.013
-106	0.169	0.179	4.29	4.55	0.100	0.106	2.540	2.692	.034	.015
-107	0.201	0.211	5.11	5.36	0.100	0.106	2.540	2.692	.037	.017
-108	0.232	0.242	5.89	6.15	0.100	0.106	2.540	2.692	.041	.019
-109	0.294	0.304	7.47	7.72	0.100	0.106	2.540	2.692	.048	.022
-110	0.357	0.367	9.07	9.32	0.100	0.106	2.540	2.692	.056	.025
-111	0.419	0.429	10.64	10.90	0.100	0.106	2.540	2.692	.063	.029
-112	0.482	0.492	12.24	12.50	0.100	0.106	2.540	2.692	.071	.032
-113	0.544	0.554	13.82	14.07	0.100	0.106	2.540	2.692	.079	.036
-114	0.607	0.617	15.42	15.67	0.100	0.106	2.540	2.692	.086	.039
-115	0.669	0.679	16.99	17.25	0.100	0.106	2.540	2.692	.093	.042
-116	0.732	0.742	18.59	18.85	0.100	0.106	2.540	2.692	.101	.046
-117	0.793	0.803	20.14	20.40	0.100	0.106	2.540	2.692	.108	.049
-118	0.856	0.866	21.74	22.00	0.100	0.106	2.540	2.692	.116	.053
-119	0.918	0.930	23.32	23.62	0.100	0.106	2.540	2.692	.124	.056
-120	0.981	0.993	24.92	25.22	0.100	0.106	2.540	2.692	.131	.059
-121	1.043	1.055	26.49	26.80	0.100	0.106	2.540	2.692	.139	.063
-122	1.106	1.118	28.09	28.40	0.100	0.106	2.540	2.692	.146	.066
-123	1.168	1.180	29.67	29.97	0.100	0.106	2.540	2.692	.154	.070
-124	1.231	1.243	31.27	31.57	0.100	0.106	2.540	2.692	.161	.073
-125	1.293	1.305	32.84	33.15	0.100	0.106	2.540	2.692	.169	.077
-126	1.356	1.368	34.44	34.75	0.100	0.106	2.540	2.692	.176	.080
-127	1.418	1.430	36.02	36.32	0.100	0.106	2.540	2.692	.184	.083
-128	1.481	1.493	37.62	37.92	0.100	0.106	2.540	2.692	.191	.087
-129	1.539	1.559	39.09	39.60	0.100	0.106	2.540	2.692	.199	.090
-130	1.602	1.622	40.69	41.20	0.100	0.106	2.540	2.692	.207	.094
-131	1.664	1.684	42.27	42.77	0.100	0.106	2.540	2.692	.214	.097
-132	1.727	1.747	43.87	44.37	0.100	0.106	2.540	2.692	.222	.101
-133	1.789	1.809	45.44	45.95	0.100	0.106	2.540	2.692	.230	.104
-134	1.852	1.872	47.04	47.55	0.100	0.106	2.540	2.692	.236	.107
-135	1.915	1.935	48.64	49.15	0.100	0.106	2.540	2.692	.244	.111
-136	1.977	1.997	50.22	50.72	0.100	0.106	2.540	2.692	.252	.114
-137	2.040	2.060	51.82	52.32	0.100	0.106	2.540	2.692	.259	.117
-138	2.102	2.122	53.39	53.90	0.100	0.106	2.540	2.692	.267	.121
-139	2.165	2.185	54.99	55.50	0.100	0.106	2.540	2.692	.274	.124
-140	2.227	2.247	56.57	57.07	0.100	0.106	2.540	2.692	.282	.128
-141	2.290	2.310	58.17	58.67	0.100	0.106	2.540	2.692	.289	.131
-142	2.352	2.372	59.74	60.25	0.100	0.106	2.540	2.692	.297	.135
-143	2.415	2.435	61.34	61.85	0.100	0.106	2.540	2.692	.304	.138
-144	2.477	2.497	62.92	63.42	0.100	0.106	2.540	2.692	.312	.142
-145	2.540	2.560	64.52	65.02	0.100	0.106	2.540	2.692	.319	.145
-146	2.602	2.622	66.09	66.60	0.100	0.106	2.540	2.692	.327	.148
-147	2.660	2.690	67.56	68.33	0.100	0.106	2.540	2.692	.334	.152
-148	2.722	2.752	69.14	69.90	0.100	0.106	2.540	2.692	.342	.155
-149	2.785	2.815	70.74	71.50	0.100	0.106	2.540	2.692	.350	.159
-150	2.847	2.877	72.31	73.08	0.100	0.106	2.540	2.692	.357	.162
-151	2.972	3.002	75.49	76.25	0.100	0.106	2.540	2.692	.372	.169
-152	3.222	3.252	81.84	82.60	0.100	0.106	2.540	2.692	.402	.181
-153	3.472	3.502	88.19	88.95	0.100	0.106	2.540	2.692	.462	.210
-154	3.722	3.752	94.54	95.30	0.100	0.106	2.540	2.692	.462	.210
-155	3.972	4.002	100.89	101.65	0.100	0.106	2.540	2.692	.493	.224

USER ACTIVITIES:

REVIEWER ACTIVITIES:
AIR FORCE - 99
DLA - IS

This military standard is approved for use by all Departments and Agencies of the Department of Defense. Selection for all new engineering and design applications and for repetitive use shall be made from this document when applicable.

APPROVED 3 JUN 60 REVISED (D) FOR CHANGES SEE PAGES 1,2,3,4,5,6,7 AND 8

P. A. NAVY-AS Other Cust ARMY-AV AIR FORCE-II	INTERNATIONAL INTEREST	TITLE	MILITARY STANDARD
		PACKING, PREFORMED-RUBBER - 'O' RING	MS 9241
PROCUREMENT SPECIFICATION	SUPERSEDES:	PAGE	2 OF 8

TABLE 1. DASH NUMBERS AND DIMENSIONS - CONTINUED

DASH NUMBER	ID INCH		ID (mm)		T INCH		T (mm)		APPROX MASS	
	MIN	MAX	MIN	MAX	MIN	MAX	MIN	MAX	LB/100	KG/100
-156	4.222	4.252	107.24	108.00	0.100	0.106	2.540	2.692	.523	.237
-157	4.472	4.502	113.59	114.35	0.100	0.106	2.540	2.692	.553	.251
-158	4.722	4.752	119.94	120.70	0.100	0.106	2.540	2.692	.583	.264
-159	4.972	5.002	126.29	127.05	0.100	0.106	2.540	2.692	.613	.278
-160	5.214	5.260	132.44	133.60	0.100	0.106	2.540	2.692	.643	.292
-161	5.464	5.510	138.79	139.95	0.100	0.106	2.540	2.692	.673	.305
-162	5.714	5.760	145.14	146.30	0.100	0.106	2.540	2.692	.703	.319
-163	5.964	6.010	151.49	152.65	0.100	0.106	2.540	2.692	.733	.332
-164	6.214	6.260	157.84	159.00	0.100	0.106	2.540	2.692	.763	.346
-165	6.464	6.510	164.19	165.35	0.100	0.106	2.540	2.692	.793	.360
-166	6.714	6.760	170.54	171.70	0.100	0.106	2.540	2.692	.823	.373
-167	6.964	7.010	176.89	178.05	0.100	0.106	2.540	2.692	.853	.387
-168	7.207	7.267	183.06	184.58	0.100	0.106	2.540	2.692	.883	.401
-169	7.457	7.517	189.41	190.93	0.100	0.106	2.540	2.692	.913	.414
-170	7.707	7.767	195.76	197.28	0.100	0.106	2.540	2.692	.943	.428
-171	7.957	8.017	202.11	203.63	0.100	0.106	2.540	2.692	.973	.441
-172	8.207	8.267	208.46	209.98	0.100	0.106	2.540	2.692	1.003	.455
-173	8.457	8.517	214.81	216.33	0.100	0.106	2.540	2.692	1.033	.469
-174	8.707	8.767	221.16	222.68	0.100	0.106	2.540	2.692	1.064	.483
-175	8.957	9.017	227.51	229.03	0.100	0.106	2.540	2.692	1.094	.496
-176	9.207	9.267	233.86	235.38	0.100	0.106	2.540	2.692	1.124	.510
-177	9.457	9.517	240.21	241.73	0.100	0.106	2.540	2.692	1.154	.523
-178	9.707	9.767	246.56	248.08	0.100	0.106	2.540	2.692	1.184	.537
-201	0.166	0.176	4.22	4.47	0.135	0.143	3.429	3.632	.068	.031
-202	0.229	0.239	5.82	6.07	0.135	0.143	3.429	3.632	.082	.037
-203	0.291	0.301	7.39	7.65	0.135	0.143	3.429	3.632	.095	.043
-204	0.354	0.364	8.99	9.25	0.135	0.143	3.429	3.632	.109	.049
-205	0.416	0.426	10.57	10.82	0.135	0.143	3.429	3.632	.123	.056
-206	0.479	0.489	12.17	12.42	0.135	0.143	3.429	3.632	.137	.062
-207	0.541	0.551	13.74	14.00	0.135	0.143	3.429	3.632	.150	.068
-208	0.604	0.614	15.34	15.60	0.135	0.143	3.429	3.632	.164	.074
-209	0.666	0.676	16.92	17.17	0.135	0.143	3.429	3.632	.178	.081
-210	0.728	0.740	18.49	18.80	0.135	0.143	3.429	3.632	.191	.087
-211	0.790	0.802	20.07	20.37	0.135	0.143	3.429	3.632	.205	.093
-212	0.853	0.865	21.67	21.97	0.135	0.143	3.429	3.632	.219	.099
-213	0.915	0.927	23.24	23.55	0.135	0.143	3.429	3.632	.232	.105
-214	0.978	0.990	24.84	25.15	0.135	0.143	3.429	3.632	.246	.112
-215	1.040	1.052	26.42	26.72	0.135	0.143	3.429	3.632	.260	.118
-216	1.103	1.115	28.02	28.32	0.135	0.143	3.429	3.632	.274	.124
-217	1.165	1.177	29.59	29.90	0.135	0.143	3.429	3.632	.287	.130
-218	1.228	1.240	31.19	31.50	0.135	0.143	3.429	3.632	.302	.137
-219	1.290	1.302	32.77	33.07	0.135	0.143	3.429	3.632	.315	.143
-220	1.353	1.365	34.37	34.67	0.135	0.143	3.429	3.632	.328	.149
-221	1.415	1.427	35.94	36.25	0.135	0.143	3.429	3.632	.342	.155
-222	1.478	1.490	37.54	37.85	0.135	0.143	3.429	3.632	.356	.161
-223	1.599	1.619	40.61	41.12	0.135	0.143	3.429	3.632	.383	.174
-224	1.724	1.744	43.79	44.30	0.135	0.143	3.429	3.632	.411	.186
-225	1.849	1.869	46.96	47.47	0.135	0.143	3.429	3.632	.438	.199
-226	1.974	1.994	50.14	50.65	0.135	0.143	3.429	3.632	.466	.211
-227	2.099	2.119	53.31	53.82	0.135	0.143	3.429	3.632	.493	.224
-228	2.224	2.244	56.49	57.00	0.135	0.143	3.429	3.632	.529	.240
-229	2.349	2.369	59.66	60.17	0.135	0.143	3.429	3.632	.548	.249
-230	2.474	2.494	62.84	63.35	0.135	0.143	3.429	3.632	.575	.261

USER ACTIVITIES:

REVIEWER ACTIVITIES:
AIR FORCE - 99
DLA - 15

This military standard is approved for use by all Departments and Agencies of the Department of Defense. Selection for all new engineering and design applications and for repetitive use shall be made from this document when applicable.

APPROVED 3 JUN 60 REVISED (D) FOR CHANGES SEE PAGES 1,2,3,4,5,6,7 AND 8

P. A. NAVY - AS Other Cust ARMY - AV AIR FORCE - II	INTERNATIONAL INTEREST	TITLE PACKING, PREFORMED-RUBBER, O' RING	MILITARY STANDARD MS 9241
	PROCUREMENT SPECIFICATION	SUPERSEDES:	PAGE 3 OF 8

FED. SUP CLASS
5330

TABLE 1. DASH NUMBERS AND DIMENSIONS - CONTINUED

DASH NUMBER	ID INCH		ID (mm)		T INCH		T (mm)		APPROX MASS	
	MIN	MAX	MIN	MAX	MIN	MAX	MIN	MAX	LB/100	KG/100
-309	0.407	0.417	10.34	10.59	0.205	0.215	5.21	5.46	.311	.141
-310	0.470	0.480	11.94	12.19	0.205	0.215	5.21	5.46	.343	.155
-311	0.532	0.542	13.51	13.77	0.205	0.215	5.21	5.46	.374	.170
-312	0.595	0.605	15.11	15.37	0.205	0.215	5.21	5.46	.405	.184
-313	0.657	0.667	16.69	16.94	0.205	0.215	5.21	5.46	.436	.198
-314	0.719	0.731	18.26	18.57	0.205	0.215	5.21	5.46	.468	.212
-315	0.781	0.793	19.84	20.14	0.205	0.215	5.21	5.46	.499	.226
-316	0.844	0.856	21.44	21.74	0.205	0.215	5.21	5.46	.530	.241
-317	0.906	0.918	23.01	23.32	0.205	0.215	5.21	5.46	.562	.255
-318	0.969	0.981	24.61	24.92	0.205	0.215	5.21	5.46	.593	.269
-319	1.031	1.043	26.19	26.49	0.205	0.215	5.21	5.46	.624	.283
-320	1.094	1.106	27.79	28.09	0.205	0.215	5.21	5.46	.656	.297
-321	1.156	1.168	29.36	29.67	0.205	0.215	5.21	5.46	.687	.312
-322	1.219	1.231	30.96	31.27	0.205	0.215	5.21	5.46	.718	.326
-323	1.281	1.293	32.54	32.84	0.205	0.215	5.21	5.46	.749	.340
-324	1.344	1.356	34.14	34.44	0.205	0.215	5.21	5.46	.781	.354
-325	1.405	1.417	35.72	36.02	0.205	0.215	5.21	5.46	.813	.368
-326	1.590	1.610	40.39	40.89	0.205	0.215	5.21	5.46	.906	.411
-327	1.715	1.735	43.56	44.07	0.205	0.215	5.21	5.46	.969	.440
-328	1.840	1.860	46.74	47.24	0.205	0.215	5.21	5.46	1.031	.468
-329	1.965	1.985	49.91	50.42	0.205	0.215	5.21	5.46	1.094	.496
-330	2.090	2.110	53.09	53.59	0.205	0.215	5.21	5.46	1.156	.524
-331	2.215	2.235	56.26	56.77	0.205	0.215	5.21	5.46	1.219	.553
-332	2.340	2.360	59.44	59.94	0.205	0.215	5.21	5.46	1.282	.582
-333	2.465	2.485	62.61	63.12	0.205	0.215	5.21	5.46	1.344	.610
-334	2.590	2.610	65.79	66.29	0.205	0.215	5.21	5.46	1.407	.638
-335	2.710	2.740	68.83	69.60	0.205	0.215	5.21	5.46	1.469	.666
-336	2.835	2.865	72.01	72.77	0.205	0.215	5.21	5.46	1.532	.695
-337	2.960	2.990	75.18	75.95	0.205	0.215	5.21	5.46	1.594	.723
-338	3.085	3.115	78.36	79.12	0.205	0.215	5.21	5.46	1.657	.752
-339	3.210	3.240	81.53	82.30	0.205	0.215	5.21	5.46	1.719	.780
-340	3.335	3.365	84.71	85.47	0.205	0.215	5.21	5.46	1.782	.808
-341	3.460	3.490	87.88	88.65	0.205	0.215	5.21	5.46	1.845	.837
-342	3.585	3.615	91.06	91.82	0.205	0.215	5.21	5.46	1.907	.865
-343	3.710	3.740	94.23	95.00	0.205	0.215	5.21	5.46	1.970	.894
-344	3.835	3.865	97.41	98.17	0.205	0.215	5.21	5.46	2.032	.922
-345	3.960	3.990	100.58	101.35	0.205	0.215	5.21	5.46	2.095	.950
-346	4.085	4.115	103.76	104.52	0.205	0.215	5.21	5.46	2.157	.978
-347	4.210	4.240	106.93	107.70	0.205	0.215	5.21	5.46	2.220	1.007
-348	4.335	4.365	110.11	110.87	0.205	0.215	5.21	5.46	2.282	1.035
-349	4.460	4.490	113.28	114.05	0.205	0.215	5.21	5.46	2.345	1.064
-350	4.585	4.615	116.46	117.22	0.205	0.215	5.21	5.46	2.412	1.094
-351	4.710	4.740	119.63	120.40	0.205	0.215	5.21	5.46	2.474	1.122
-352	4.835	4.865	122.81	123.57	0.205	0.215	5.21	5.46	2.537	1.151
-353	4.960	4.990	125.98	126.75	0.205	0.215	5.21	5.46	2.600	1.179
-354	5.077	5.123	128.96	130.12	0.205	0.215	5.21	5.46	2.662	1.207
-355	5.202	5.248	132.13	133.30	0.205	0.215	5.21	5.46	2.725	1.236
-356	5.327	5.373	135.31	136.47	0.205	0.215	5.21	5.46	2.788	1.265
-357	5.452	5.498	138.48	139.65	0.205	0.215	5.21	5.46	2.851	1.293
-358	5.577	5.623	141.66	142.82	0.205	0.215	5.21	5.46	2.913	1.321
-359	5.702	5.748	144.83	146.00	0.205	0.215	5.21	5.46	2.976	1.350
-360	5.827	5.873	148.01	149.17	0.205	0.215	5.21	5.46	3.038	1.378
-361	5.952	5.998	151.18	152.35	0.205	0.215	5.21	5.46	3.101	1.407
-362	6.202	6.248	157.53	158.70	0.205	0.215	5.21	5.46	3.226	1.463
-363	6.452	6.498	163.88	165.05	0.205	0.215	5.21	5.46	3.352	1.520
-364	6.702	6.748	170.23	171.40	0.205	0.215	5.21	5.46	3.477	1.577
-365	6.952	6.998	176.58	177.75	0.205	0.215	5.21	5.46	3.603	1.634

USER ACTIVITIES:

REVISOR ACTIVITIES:
AIR FORCE-99
DLA-1S

This military standard is approved for use by all Departments and Agencies of the Department of Defense. Selection for all new engineering and design applications and for repetitive use shall be made from this document when applicable.

APPROVED 3 JUN 60 REVISED (D) FOR CHANGES SEE PAGES 1,2,3,4,5,6,7 AND 8

P. A. NAVY-AS Other Cost ARMY-AV AIR FORCE-II	INTERNATIONAL INTEREST	TITLE	MILITARY STANDARD
		PACKING, PREFORMED - RUBBER, 'O' RING	MS 9241
PROCUREMENT SPECIFICATION	SUPERSEDES:	PAGE 5 OF 8	

FED. SUP CLASS
5330

TABLE 1. DASH NUMBERS AND DIMENSIONS - CONTINUED

DASH NUMBER	ID INCH		ID (mm)		T INCH		T (mm)		APPROX MASS	
	MIN	MAX	MIN	MAX	MIN	MAX	MIN	MAX	LB/100	KG/100
-366	7.195	7.255	182.75	184.28	0.205	0.215	5.21	5.46	3.728	1.691
-367	7.445	7.505	189.10	190.63	0.205	0.215	5.21	5.46	3.854	1.748
-368	7.695	7.755	195.45	196.98	0.205	0.215	5.21	5.46	3.979	1.805
-369	7.945	8.005	201.80	203.33	0.205	0.215	5.21	5.46	4.104	1.862
-370	8.195	8.255	208.15	209.68	0.205	0.215	5.21	5.46	4.229	1.918
-371	8.445	8.505	214.50	216.03	0.205	0.215	5.21	5.46	4.355	1.975
-372	8.695	8.755	220.85	222.38	0.205	0.215	5.21	5.46	4.480	2.032
-373	8.945	9.005	227.20	228.73	0.205	0.215	5.21	5.46	4.605	2.089
-374	9.195	9.255	233.55	235.08	0.205	0.215	5.21	5.46	4.731	2.146
-375	9.445	9.505	239.90	241.43	0.205	0.215	5.21	5.46	4.856	2.203
-376	9.695	9.755	246.25	247.78	0.205	0.215	5.21	5.46	4.981	2.259
-377	9.945	10.005	252.60	254.13	0.205	0.215	5.21	5.46	5.107	2.317
-378	10.195	10.255	258.95	260.48	0.205	0.215	5.21	5.46	5.232	2.374
-379	10.445	10.505	265.30	266.83	0.205	0.215	5.21	5.46	5.358	2.430
-380	10.695	10.755	271.65	273.18	0.205	0.215	5.21	5.46	5.483	2.487
-381	10.945	11.005	278.00	279.53	0.205	0.215	5.21	5.46	5.608	2.544
-382	11.195	11.255	284.35	285.88	0.205	0.215	5.21	5.46	5.733	2.601
-383	11.445	11.505	290.70	292.23	0.205	0.215	5.21	5.46	5.858	2.658
-384	11.695	11.755	297.05	298.58	0.205	0.215	5.21	5.46	5.983	2.715
-385	11.945	12.005	303.40	304.93	0.205	0.215	5.21	5.46	6.108	2.772
-386	12.195	12.255	309.75	311.28	0.205	0.215	5.21	5.46	6.233	2.829
-387	12.445	12.505	316.10	317.63	0.205	0.215	5.21	5.46	6.358	2.886
-388	12.695	12.755	322.45	323.98	0.205	0.215	5.21	5.46	6.483	2.943
-389	12.945	13.005	328.80	330.33	0.205	0.215	5.21	5.46	6.608	3.000
-390	13.195	13.255	335.15	336.68	0.205	0.215	5.21	5.46	6.733	3.057
-391	13.445	13.505	341.50	343.03	0.205	0.215	5.21	5.46	6.858	3.114
-392	13.695	13.755	347.85	349.38	0.205	0.215	5.21	5.46	6.983	3.171
-393	13.945	14.005	354.20	355.73	0.205	0.215	5.21	5.46	7.108	3.228
-394	14.195	14.255	360.55	362.08	0.205	0.215	5.21	5.46	7.233	3.285
-395	14.445	14.505	366.90	368.43	0.205	0.215	5.21	5.46	7.358	3.342
-425	4.460	4.490	113.28	114.05	0.269	0.281	6.83	7.14	4.077	1.849
-426	4.585	4.615	116.46	117.22	0.269	0.281	6.83	7.14	4.185	1.898
-427	4.710	4.740	119.63	120.40	0.269	0.281	6.83	7.14	4.292	1.947
-428	4.835	4.865	122.81	123.57	0.269	0.281	6.83	7.14	4.399	1.995
-429	4.960	4.990	125.98	126.75	0.269	0.281	6.83	7.14	4.506	2.044
-430	5.077	5.123	128.96	130.12	0.269	0.281	6.83	7.14	4.614	2.093
-431	5.202	5.248	132.13	133.30	0.269	0.281	6.83	7.14	4.721	2.141
-432	5.327	5.373	135.31	136.47	0.269	0.281	6.83	7.14	4.828	2.190
-433	5.452	5.498	138.48	139.65	0.269	0.281	6.83	7.14	4.935	2.239
-434	5.577	5.623	141.66	142.82	0.269	0.281	6.83	7.14	5.042	2.287
-435	5.702	5.748	144.83	146.00	0.269	0.281	6.83	7.14	5.150	2.336
-436	5.827	5.873	148.01	149.17	0.269	0.281	6.83	7.14	5.257	2.385
-437	5.952	5.998	151.18	152.35	0.269	0.281	6.83	7.14	5.364	2.433
-438	6.077	6.123	154.36	155.52	0.269	0.281	6.83	7.14	5.471	2.482
-439	6.202	6.248	157.53	158.70	0.269	0.281	6.83	7.14	5.579	2.531
-440	6.327	6.373	160.71	161.87	0.269	0.281	6.83	7.14	5.686	2.580
-441	6.452	6.498	163.88	165.05	0.269	0.281	6.83	7.14	5.794	2.628
-442	6.577	6.623	167.06	168.22	0.269	0.281	6.83	7.14	5.901	2.677
-443	6.702	6.748	170.23	171.40	0.269	0.281	6.83	7.14	6.008	2.725
-444	6.827	6.873	173.41	174.57	0.269	0.281	6.83	7.14	6.115	2.774
-445	6.952	6.998	176.58	177.75	0.269	0.281	6.83	7.14	6.223	2.823
-446	7.077	7.123	179.76	180.91	0.269	0.281	6.83	7.14	6.330	2.871
-447	7.202	7.248	182.93	184.08	0.269	0.281	6.83	7.14	6.438	2.920
-448	7.327	7.373	186.11	187.25	0.269	0.281	6.83	7.14	6.545	2.968
-449	7.452	7.498	189.28	190.42	0.269	0.281	6.83	7.14	6.653	3.017
-450	7.577	7.623	192.46	193.59	0.269	0.281	6.83	7.14	6.760	3.065
-451	7.702	7.748	195.63	196.76	0.269	0.281	6.83	7.14	6.868	3.114
-452	7.827	7.873	198.81	199.93	0.269	0.281	6.83	7.14	6.975	3.162
-453	7.952	7.998	201.98	203.10	0.269	0.281	6.83	7.14	7.083	3.211
-454	8.077	8.123	205.16	206.27	0.269	0.281	6.83	7.14	7.190	3.259
-455	8.202	8.248	208.33	209.44	0.269	0.281	6.83	7.14	7.298	3.308

USER ACTIVITIES:

REVIEWER ACTIVITIES:
AIR FORCE - 99
DLA - IS

This military standard is approved for use by all Departments and Agencies of the Department of Defense. Selection for all new engineering and design applications and for repetitive use shall be made from this document when applicable.

APPROVED 3 JUN 60 REVISED ① FOR CHANGES SEE PAGES 1,2,3,4,5,6,7 AND 8

P. A. NAVY-AS Other Cust ARMY-AV AIR FORCE-II	INTERNATIONAL INTEREST	TITLE PACKING, PREFORMED - RUBBER, 'O' RING	MILITARY STANDARD
			MS 9241
PROCUREMENT SPECIFICATION		SUPERSEDES:	PAGE 6 OF 8

FED. SUP CLASS
5330

TABLE 1. DASH NUMBERS AND DIMENSIONS - CONTINUED

DASH NUMBER	ID INCH		ID (mm)		T INCH		T (mm)		APPROX MASS	
	MIN	MAX	MIN	MAX	MIN	MAX	MIN	MAX	LB/100	KG/100
-446	8.445	8.505	214.50	216.03	0.269	0.281	6.83	7.14	7.510	3.407
-447	8.945	9.005	227.20	228.73	0.269	0.281	6.83	7.14	7.940	3.602
-448	9.445	9.505	239.90	241.43	0.269	0.281	6.83	7.14	8.369	3.796
-449	9.945	10.005	252.60	254.13	0.269	0.281	6.83	7.14	8.798	3.991
-450	10.445	10.505	265.30	266.83	0.269	0.281	6.83	7.14	9.227	4.185
-451	10.945	11.005	278.00	279.53	0.269	0.281	6.83	7.14	9.656	4.380
-452	11.445	11.505	290.70	292.23	0.269	0.281	6.83	7.14	10.086	4.575
-453	11.945	12.005	303.40	304.93	0.269	0.281	6.83	7.14	10.515	4.770
-454	12.445	12.505	316.10	317.63	0.269	0.281	6.83	7.14	10.944	4.964
-455	12.945	13.005	328.80	330.33	0.269	0.281	6.83	7.14	11.373	5.159
-456	13.445	13.505	341.50	343.03	0.269	0.281	6.83	7.14	11.802	5.353
-457	13.945	14.005	354.20	355.73	0.269	0.281	6.83	7.14	12.231	5.548
-458	14.445	14.505	366.90	368.43	0.269	0.281	6.83	7.14	12.660	5.742
-459	14.945	15.005	379.60	381.13	0.269	0.281	6.83	7.14	13.090	5.938
-460	15.445	15.505	392.30	393.83	0.269	0.281	6.83	7.14	13.519	6.132
-461	15.910	16.000	404.11	406.40	0.269	0.281	6.83	7.14	13.961	6.333
-462	16.410	16.500	416.81	419.10	0.269	0.281	6.83	7.14	14.391	6.528
-463	16.910	17.000	429.51	431.80	0.269	0.281	6.83	7.14	14.821	6.723
-464	17.410	17.500	442.21	444.50	0.269	0.281	6.83	7.14	15.251	6.918
-465	17.910	18.000	454.91	457.20	0.269	0.281	6.83	7.14	15.681	7.113
-466	18.410	18.500	467.61	469.90	0.269	0.281	6.83	7.14	16.112	7.307
-467	18.910	19.000	480.31	482.60	0.269	0.281	6.83	7.14	16.542	7.503
-468	19.410	19.500	493.01	495.30	0.269	0.281	6.83	7.14	16.972	7.698
-469	19.910	20.000	505.71	508.00	0.269	0.281	6.83	7.14	17.402	7.894
-470	20.910	21.000	531.11	533.40	0.269	0.281	6.83	7.14	18.262	8.284
-471	21.910	22.000	556.51	558.80	0.269	0.281	6.83	7.14	19.122	8.674
-472	22.880	23.000	581.2	584.2	0.269	0.281	6.83	7.14	19.970	9.058
-473	23.880	24.000	606.6	609.6	0.269	0.281	6.83	7.14	20.830	9.448
-474	24.880	25.000	632.0	635.0	0.269	0.281	6.83	7.14	21.690	9.839
-475	25.880	26.000	657.4	660.4	0.269	0.281	6.83	7.14	22.550	10.229

USER ACTIVITIES:

REVIEWER ACTIVITIES:
AIR FORCE - 99
DLA - IS

This military standard is approved for use by all Departments and Agencies of the Department of Defense. Selection for all new engineering and design applications and for repetitive use shall be made from this document, when applicable.

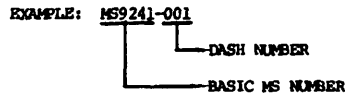
APPROVED 3 JUN 60 REVISED (D) FOR CHANGES SEE PAGES 1, 2, 3, 4, 5, 6, 7 AND 8

P. A. NAVY - AS Other Code ARMY - AV AIR FORCE - II	INTERNATIONAL INTEREST	TITLE PACKING, PREFORMED - RUBBER, 'O' RING	MILITARY STANDARD
			MS 9241
PROCUREMENT SPECIFICATION	SUPERSEDES:	PAGE 7 OF 8	

FED. SUP CLASS
5330

REQUIREMENTS:

1. MATERIAL. RUBBER IN ACCORDANCE WITH AMS 7272-80.
2. IDENTIFICATION AND PACKAGING IDENTIFICATION. IDENTIFICATION AND PACKAGING IN ACCORDANCE WITH AMS 2817-82.
3. MANUFACTURING AND INSPECTION. MANUFACTURING AND INSPECTION IN ACCORDANCE WITH AS 871-71.
4. PART NUMBER. THE PART NUMBER SHALL CONSIST OF THE BASIC MS NUMBER FOLLOWED BY A DASH NUMBER FROM TABLE I.



MS9241-001 INDICATES: PACKING, RUBBER, O-RING, .033 IN., 838 mm ID, .043 IN., 1.092 mm CROSS SECTION DIA. (T).

NOTES:

1. ALL DIMENSIONS IN INCHES. METRIC CONVERSIONS ARE IN PARENTHESES. INTERNATIONAL SYSTEM UNITS (SI).
2. DO NOT USE UNASSIGNED PART NUMBERS.
3. PART SUBJECT TO AGE CONTROL IN ACCORDANCE WITH MIL-STD-1523.
4. IN THE EVENT OF A CONFLICT BETWEEN THE TEXT OF THIS STANDARD AND THE REFERENCES CITED HEREIN, THE TEXT OF THIS STANDARD SHALL TAKE PRECEDENCE.
5. REFERENCED GOVERNMENT (OR NONGOVERNMENT) DOCUMENTS OF THE ISSUE LISTED IN THAT ISSUE OF THE DEPARTMENT OF DEFENSE INDEX OF SPECIFICATIONS AND STANDARDS (DoDISS) SPECIFIED IN THE SOLICITATION FORM A PART OF THIS STANDARD TO THE EXTENT SPECIFIED HEREIN.
6. THIS STANDARD WAS DEVELOPED COOPERATIVELY WITH THE SAE AEROSPACE PROPULSION DIVISION.
7. AS AND AMS ARE SAE PUBLICATIONS.

CERTAIN PROVISIONS (DASH, NUMBERS AND DIMENSIONS) OF THIS STANDARD ARE SUBJECT OF INTERNATIONAL STANDARDIZATION AGREEMENT ASCC AIR STD 17/27. WHEN REVISION OR CANCELLATION OF THIS STANDARD IS PROPOSED WHICH WILL AFFECT OR VIOLATE THE INTERNATIONAL AGREEMENT CONCERNED, THE PREPARING ACTIVITY WILL TAKE APPROPRIATE RECONCILIATION ACTION THROUGH INTERNATIONAL STANDARDIZATION CHANNELS, INCLUDING DEPARTMENTAL STANDARDIZATION OFFICES IF REQUIRED.

USER ACTIVITIES:

REVIEWER ACTIVITIES:
AIR FORCE - 99
DLA - IS

This military standard is approved for use by all Departments and Agencies of the Department of Defense. Selection for all new engineering and design applications and for repetitive use shall be made from this document when applicable.

APPROVED 3 JUN 60 REVISED (D) FOR CHANGES SEE PAGES 1,2,3,4,5,6,7 AND 8

P. A. NAVY - AS Other Cust ARMY - AV AIR FORCE - II	INTERNATIONAL INTEREST	TITLE PACKING, PREFORMED-RUBBER, 'O' RING	MILITARY STANDARD
			MS 9241
PROCUREMENT SPECIFICATION	SUPERSEDES	PAGE 8 OF 8	8