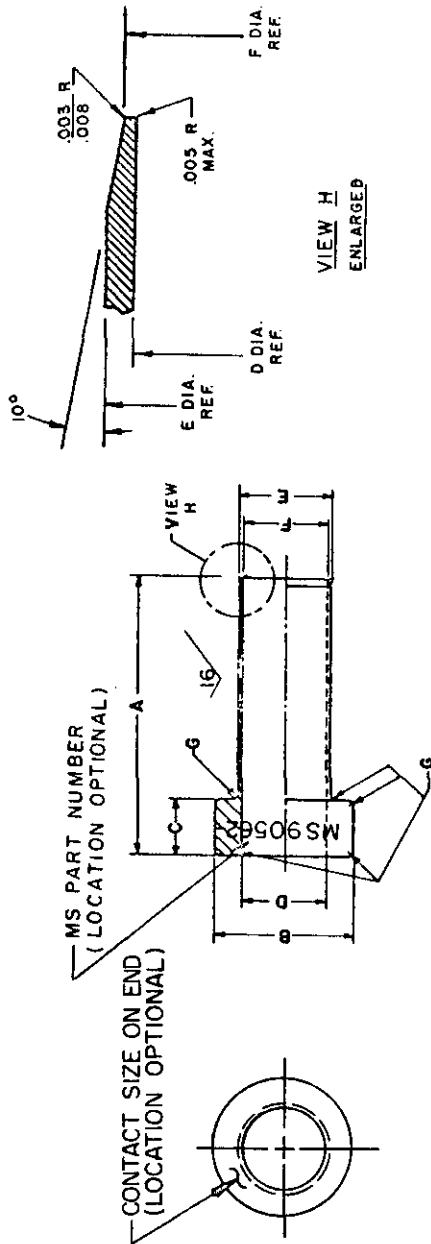


FED. SUP CLASS
5120

This military standard is approved for use by all Departments and Agencies of the Department of Defense. Selection for all new engineering and design applications and for repetitive use shall be made from this document.

Reviewer activities: Army - MI, MU
Navy - EC, AS, OS, YD
Air Force - 11, 17, 80
DSA - ES

User activities: Army -
Navy - MC, CG
Air Force - 14, 19



| MS PART NUMBER | CONTACT SIZE | A ±.016 | B DIA ±.016 | C ±.016 | D DIA +.002 -.000 | E DIA +.000 -.002 | F DIA +.000 -.002 | G RAD ±.031 |
|----------------|--------------|------------|-------------------|------------|----------------------------|----------------------------|----------------------------|-------------------|
| MS90562-1 | 4/0 | 2.500 | 1.250 | .500 | .753 | .790 | .772 | .062 |
| -2 | 2/0 | 2.500 | 1.125 | .500 | .659 | .696 | .678 | .062 |
| -3 | 1/0 | 2.500 | 1.000 | .500 | .521 | .558 | .540 | .062 |
| -4 | 2 | 2.500 | .938 | .500 | .425 | .462 | .444 | .062 |
| -5 | 4 | 2.500 | .875 | .500 | .339 | .376 | .358 | .062 |
| -6 | 6 | 2.500 | .812 | .500 | .317 | .354 | .336 | .062 |

NOTES:

1. Material shall be corrosion resisting steel, class 303, cond A, per QQ-S-763.
2. Dimensions are in inches. Unless otherwise specified tolerances are ±.010 and ±2°.
3. Concentricity is .004 TIR (RFS).
4. For design feature purposes, this standard takes precedence over procurement documents referenced herein.
5. Referenced documents shall be of the issue in effect on date of invitation for bid.

Ⓣ CANCELED USE MIL-I-81969/27

Ⓣ DENOTES CHANGE

| | | | | |
|--|---------------------------|-------------|--|-------------------|
| P.A. Navy - EC Other Cust Army - CR AF - 11 | International interest | TITLE | REMOVAL TOOL, ELECTRICAL CONNECTOR CONTACT (CLASS L) | MILITARY STANDARD |
| | | | | MS 90562 |
| Procurement Specification MIL-C-22992 | | SUPERSEDES: | | PAGE 1 OF 1 |

DD FORM 672 1 SEP 63 (Coordinated) PREVIOUS EDITIONS OF THIS FORM ARE OBSOLETE.

APPROVED 1-JUNE-1966 REVISED 2 February 1972 29-JANUARY -1973 28 Aug 1974 6 June 1980