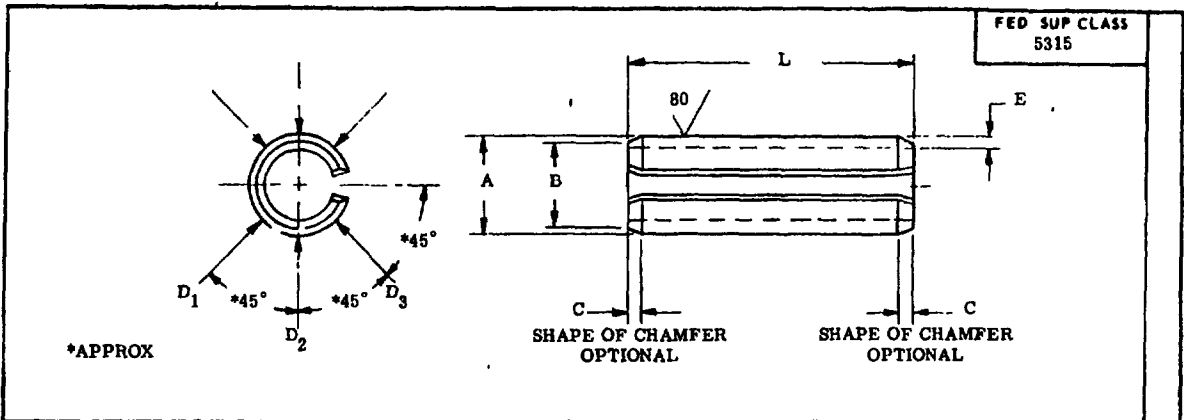


User activities:
Review activities:
ARMY - ME, MI
DLA - IS
NS



FED SUP CLASS
5315

A			B	C		E	RECOMMENDED HOLE SIZE		APPROX WEIGHT LBS PER 100
NOMINAL	MAXIMUM (GO RING GAGE)	MIN AVERAGE DIA (D ₁ +D ₂ +D ₃) 1/3	MAX	MIN	MAX	STOCK THICKNESS	MIN	MAX	
.062	.069	.066	.059	.007	.028	.012	.062	.065	L x .049
.078	.086	.083	.075	.008	.032	.018	.078	.081	L x .092
.094	.103	.099	.091	.008	.038	.022	.094	.097	L x .140
.125	.135	.131	.122	.008	.044	.028	.125	.129	L x .240
.156	.167	.162	.151	.010	.048	.032	.156	.160	L x .340
.188	.199	.194	.182	.011	.055	.040	.187	.192	L x .510
.219	.232	.226	.214	.011	.065	.048	.219	.224	L x .700
.250	.264	.256	.245	.012	.065	.048	.250	.256	L x .850
.312	.328	.321	.306	.014	.080	.062	.312	.318	L x 1.30
.375	.392	.385	.368	.016	.095	.077	.375	.382	L x 1.90
.438	.456	.448	.430	.017	.095	.077	.437	.445	L x 2.40
.500	.521	.513	.485	.025	.110	.094	.500	.510	L x 3.20

MATERIAL: STEEL - AMS5120 OR AMS5121
 FINISH: PHOSPHATE - SEE MANUFACTURING SPECIFICATION
 SURFACE ROUGHNESS: AS291
 MANUFACTURING SPECIFICATION: AMS7205
 BREAK SHARP EDGES: .003-.015 UNLESS OTHERWISE SPECIFIED
 DIMENSIONS IN INCHES.
 SEE PAGE 2 FOR PART NUMBERS

(A) CANCELED AFTER 3 NOV 80 USE MS171401 THRU MS171900. INTERCHANGEABILITY RELATIONSHIP: MS171401 THRU MS171900 ITEMS CAN REPLACE THE CANCELED MS9047 ITEMS. THE CANCELED MS9047 ITEMS SHOULD BE USED FOR REPLACEMENT PURPOSES UNTIL EXISTING STOCK IS DEPLETED USE THE SUPERSEDING MS ITEMS FOR DESIGN

THIS STANDARD WAS DEVELOPED COOPERATIVELY WITH THE ENGINE AND PROPELLER UTILITY PARTS COMMITTEE OF THE SAE. (A) Denotes Changes

P.A. 11 Other Cust AS	TITLE PIN - SPRING, STEEL, PHOSPHATE FINISH	MILITARY STANDARD MS9047
PROCUREMENT SPECIFICATION NONE	SUPERSEDES	SHEET 1 OF 2

This military standard is approved for use by all Departments & Agencies of the Department of Defense. Selection for all new engineering and design applications and for repetitive use shall be made from this document, when applicable.

APPROVED 10 AUG 1956 REVISED (A) 3 NOV 80

Review activities:
ARMY - ME, MI
DLA - IS
NS

This military standard is approved for use by all Departments & Agencies of the Department of Defense. Selection for all new engineering and design applications and for repetitive use shall be made from this document, when applicable.

P.A.	LENGTH L	NOMINAL DIAMETER																FED. SUP CLASS 5315																																																																																																																																																																																																																																																																																																																																																																		
		.084	.125	.156	.188	.219	.250	.312	.375	.438	.500																																																																																																																																																																																																																																																																																																																																																																									
11	Other Cust AS	MS9047-002	MS9047-003	MS9047-004	MS9047-005	MS9047-006	MS9047-007	MS9047-008	MS9047-009	MS9047-010	MS9047-011	MS9047-012	MS9047-013	MS9047-014	MS9047-015	MS9047-016	MS9047-017	MS9047-018	MS9047-019	MS9047-020	MS9047-021	MS9047-022	MS9047-023	MS9047-024	MS9047-025	MS9047-026	MS9047-027	MS9047-028	MS9047-029	MS9047-030	MS9047-031	MS9047-032	MS9047-033	MS9047-034	MS9047-035	MS9047-036	MS9047-037	MS9047-038	MS9047-039	MS9047-040	MS9047-041	MS9047-042	MS9047-043	MS9047-044	MS9047-045	MS9047-046	MS9047-047	MS9047-048	MS9047-049	MS9047-050	MS9047-051	MS9047-052	MS9047-053	MS9047-054	MS9047-055	MS9047-056	MS9047-057	MS9047-058	MS9047-059	MS9047-060	MS9047-061	MS9047-062	MS9047-063	MS9047-064	MS9047-065	MS9047-066	MS9047-067	MS9047-068	MS9047-069	MS9047-070	MS9047-071	MS9047-072	MS9047-073	MS9047-074	MS9047-075	MS9047-076	MS9047-077	MS9047-078	MS9047-079	MS9047-080	MS9047-081	MS9047-082	MS9047-083	MS9047-084	MS9047-085	MS9047-086	MS9047-087	MS9047-088	MS9047-089	MS9047-090	MS9047-091	MS9047-092	MS9047-093	MS9047-094	MS9047-095	MS9047-096	MS9047-097	MS9047-098	MS9047-099	MS9047-100	MS9047-101	MS9047-102	MS9047-103	MS9047-104	MS9047-105	MS9047-106	MS9047-107	MS9047-108	MS9047-109	MS9047-110	MS9047-111	MS9047-112	MS9047-113	MS9047-114	MS9047-115	MS9047-116	MS9047-117	MS9047-118	MS9047-119	MS9047-120	MS9047-121	MS9047-122	MS9047-123	MS9047-124	MS9047-125	MS9047-126	MS9047-127	MS9047-128	MS9047-129	MS9047-130	MS9047-131	MS9047-132	MS9047-133	MS9047-134	MS9047-135	MS9047-136	MS9047-137	MS9047-138	MS9047-139	MS9047-140	MS9047-141	MS9047-142	MS9047-143	MS9047-144	MS9047-145	MS9047-146	MS9047-147	MS9047-148	MS9047-149	MS9047-150	MS9047-151	MS9047-152	MS9047-153	MS9047-154	MS9047-155	MS9047-156	MS9047-157	MS9047-158	MS9047-159	MS9047-160	MS9047-161	MS9047-162	MS9047-163	MS9047-164	MS9047-165	MS9047-166	MS9047-167	MS9047-168	MS9047-169	MS9047-170	MS9047-171	MS9047-172	MS9047-173	MS9047-174	MS9047-175	MS9047-176	MS9047-177	MS9047-178	MS9047-179	MS9047-180	MS9047-181	MS9047-182	MS9047-183	MS9047-184	MS9047-185	MS9047-186	MS9047-187	MS9047-188	MS9047-189	MS9047-190	MS9047-191	MS9047-192	MS9047-193	MS9047-194	MS9047-195	MS9047-196	MS9047-197	MS9047-198	MS9047-199	MS9047-200	MS9047-201	MS9047-202	MS9047-203	MS9047-204	MS9047-205	MS9047-206	MS9047-207	MS9047-208	MS9047-209	MS9047-210	MS9047-211	MS9047-212	MS9047-213	MS9047-214	MS9047-215	MS9047-216	MS9047-217	MS9047-218	MS9047-219	MS9047-220	MS9047-221	MS9047-222	MS9047-223	MS9047-224	MS9047-225	MS9047-226	MS9047-227	MS9047-228	MS9047-229	MS9047-230	MS9047-231	MS9047-232	MS9047-233	MS9047-234	MS9047-235	MS9047-236	MS9047-237	MS9047-238	MS9047-239	MS9047-240	MS9047-241	MS9047-242	MS9047-243	MS9047-244	MS9047-245	MS9047-246	MS9047-247	MS9047-248	MS9047-249	MS9047-250	MS9047-251	MS9047-252	MS9047-253	MS9047-254	MS9047-255	MS9047-256	MS9047-257	MS9047-258	MS9047-259	MS9047-260	MS9047-261	MS9047-262	MS9047-263	MS9047-264	MS9047-265	MS9047-266	MS9047-267	MS9047-268	MS9047-269	MS9047-270	MS9047-271	MS9047-272	MS9047-273	MS9047-274	MS9047-275	MS9047-276	MS9047-277	MS9047-278	MS9047-279	MS9047-280	MS9047-281	MS9047-282	MS9047-283	MS9047-284	MS9047-285	MS9047-286	MS9047-287	MS9047-288	MS9047-289	MS9047-290	MS9047-291	MS9047-292	MS9047-293	MS9047-294	MS9047-295	MS9047-296	MS9047-297	MS9047-298	MS9047-299	MS9047-300	MS9047-301	MS9047-302	MS9047-303	MS9047-304	MS9047-305	MS9047-306	MS9047-307	MS9047-308	MS9047-309	MS9047-310	MS9047-311	MS9047-312	MS9047-313	MS9047-314	MS9047-315	MS9047-316	MS9047-317	MS9047-318	MS9047-319	MS9047-320	MS9047-321	MS9047-322	MS9047-323	MS9047-324	MS9047-325	MS9047-326	MS9047-327	MS9047-328	MS9047-329	MS9047-330	MS9047-331	MS9047-332	MS9047-333	MS9047-334	MS9047-335	MS9047-336	MS9047-337	MS9047-338	MS9047-339	MS9047-340	MS9047-341	MS9047-342	MS9047-343	MS9047-344	MS9047-345	MS9047-346	MS9047-347	MS9047-348	MS9047-349	MS9047-350	MS9047-351	MS9047-352	MS9047-353	MS9047-354	MS9047-355	MS9047-356	MS9047-357	MS9047-358	MS9047-359	MS9047-360	MS9047-361	MS9047-362	MS9047-363	MS9047-364	MS9047-365	MS9047-366	MS9047-367	MS9047-368	MS9047-369	MS9047-370	MS9047-371	MS9047-372

PART NUMBERS WITHIN ENVELOPE ARE THOSE NORMALLY CARRIED IN STOCK BY INDUSTRY. AVAILABILITY OF PART NUMBERS OUTSIDE THE ENVELOPE SHOULD BE CHECKED BEFORE SPECIFYING. LENGTHS AND DIAMETERS FOR PART NUMBERS NOT SHOWN ARE MANUFACTURED TO SPECIAL ORDER.

DO NOT USE UNASSIGNED PART NUMBERS.

APPROVED 10 AUG 56 (A) SEE SHEET 1

MILITARY STANDARD
MS9047
SHEET 2 OF 2