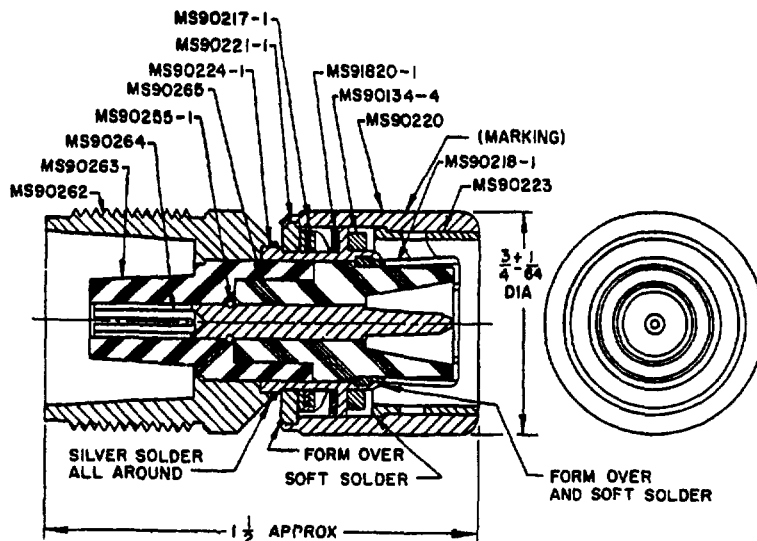


NOTICE—When Government drawings, specifications, or other data are used for any purpose other than in connection with a definitely related Government procurement operation, the United States Government thereby incurs no responsibility nor any obligation whatsoever and the fact that the Government has furnished limited information in any way supplied the said drawings, specifications, or other data is not to be regarded by implication or otherwise as an endorsement, recommendation, approval, or any other person or corporation, or conveying any rights or permission to manufacture, use, or sell any patented invention that may in any way be related thereto.

This military standard is approved by the Department of Defense and is mandatory on all activities. Selection for all new engineering and design applications and for repetitive use shall be made from this document.

This document has been promulgated by the Department of Defense as the military standard to limit the selection of the item, product, or design covered herein in engineering, design, and procurement. This standard shall become effective not later than 90 days after the latest date of approval shown.

FED SUP CLASS  
6936



MS PART NO. MS90261-703A

DETAIL PARTS	DESCRIPTION	QTY
MS90134-4	Gasket	1
MS90217-1	Spring	3
MS90218-1	Outer contact	1
MS90220	Coupling sleeve	1
MS90221-1	Half washer	2
MS90223	Bayonet sleeve	1
MS90224-1	Male body	1
MS90255-1	Ring	1
MS90262	Body	1
MS90263	Insulator	1
MS90264	Contact	1
MS90265	Insulator	1
MS91820-1	Split washer	1

- All dimensions in inches.
- Adapter UG-703A/U replaces Adapter UG-703/U.
- The part number consists of the MS military-standard number followed by a dash number. The dash number "703A" is derived from assigned nomenclature.
- Dielectric withstanding voltage shall be 3000 volts rms.
- Referenced documents shall be of the issue in effect on date of invitation for bids.
- This standard takes precedence over documents referenced herein.

(C) ENTIRE STANDARD REVISED.

P A Other Cust Ships USAF	SigC	TITLE ADAPTER, CONNECTOR, COAXIAL, RADIOFREQUENCY, BETWEEN SERIES, TYPE UG-703A/U (SERIES C JACK TO SERIES HN PLUG)	MILITARY STANDARD <b>MS90261</b>
PROCUREMENT SPECIFICATION MIL-A-27434	SUPERSEDES	SHEET 1 OF 1	

DD FORM 1527 672-1 COORDINATED

PREVIOUS EDITIONS OF THIS FORM ARE OBSOLETE

APPROVED 7 Dec 1951 REVISED (A) 25 Nov 1953 B 26 Sep 1956 C 10 Apr 1961