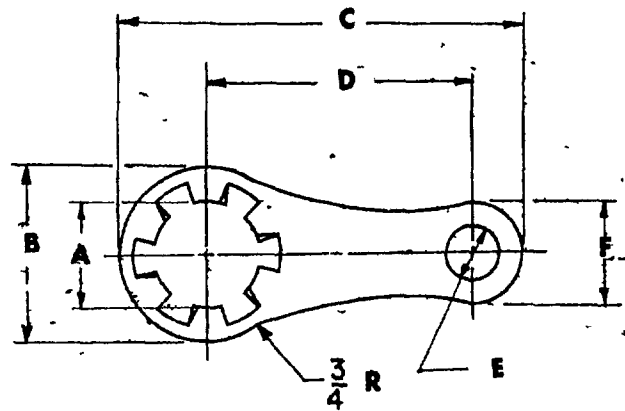


FED. SUB. CLASS
5940



DASH NUMBER	SCREW SIZE	HOLE DIA A		B	C	D	E	F	AWG SIZE
		MAX	MIN						
1	4	.127	.115	5/16	7/8	5/8	3/32	11/64	
2	6	.153	.141	5/16	7/8	5/8	3/32	11/64	12 TO 20
3	8	.179	.167	5/16	7/8	5/8	3/32	11/64	
4	10	.205	.193	7/16	21/32	3/8	1/16	1/8	16 TO 20
5	10	.205	.193	11/32	57/64	5/8	3/32	11/64	12 TO 20

MATERIAL: PHOSPHOR BRONZE (1.25% TIN), GRADE E, NO.502.

FINISH: HOT TIN DIP OR ELECTRO-DEPOSITED TIN ALL OVER, MINIMUM THICKNESS .0005.

NOTES: 1. ALL DIMENSIONS IN INCHES. TOLERANCE: FRACTIONAL $\pm 1/64$; UNLESS OTHERWISE SPECIFIED.

2. MAXIMUM BURR OF .005 IS ALLOWABLE.

3. FOR DESIGN FEATURE PURPOSES THIS STANDARD TAKES PRECEDENCE OVER PROCUREMENT DOCUMENTS REFERENCED HEREIN.

4. THE MS PART NUMBER CONSISTS OF THE MS NUMBER PLUS THE DASH NUMBER.

5. REFERENCED DOCUMENTS SHALL BE OF THE ISSUE IN EFFECT ON DATE OF INVITATIONS FOR BID.

NOTICE - When Government drawings, specifications, or other data are used for any purpose other than in connection with a definitely related Government procurement operation the United States Government thereby incurs no responsibility, nor any obligation whatsoever, and the fact that the Government may have furnished, furnished, or in any way supplied the said drawings, specifications, or other data is not to be regarded by implication or otherwise as in any manner licensing the holder or any other person or corporation or conveying any rights or permission to manufacture, use or sell any patented invention that may in any way be related thereto.

REVIEW INTEREST ARMY: MU USER INTEREST ARMY: NAVY: AF:11
 NAVY: SH

This military standard is approved by the Department of Defense and is mandatory on all activities. Selection for all new engineering and design applications and for repetitive use shall be made from this document.

P A	MU	TITLE	MILITARY STANDARD
Other Cust	SH	TERMINAL, LUG, SOLDER TYPE, PHOSPHOR BRONZE STAMPING, LOCKING TYPE, FLAT, ONE HOLE	MS 77070
	11		
PROCUREMENT SPECIFICATION MIL-T-13659	SUPERSEDES	SHEET	OF 1

Approved 8 Sep 65 REVISED