

INCH-POUND

MS77068B  
 17 December 2003  
 SUPERSEDING  
 MS77068A  
 15 December 1989

## DETAIL SPECIFICATION SHEET

TERMINAL, LUG, SOLDER TYPE, PHOSPHOR BRONZE STAMPING,  
 LOCKING TYPE, 45°, TWO HOLE

Inactive for new design after 18 October 2000.

This specification sheet is approved for use by all departments and agencies of the Department of Defense.

The requirements for acquiring the product described herein shall consist of this specification sheet and MIL-DTL-15659.

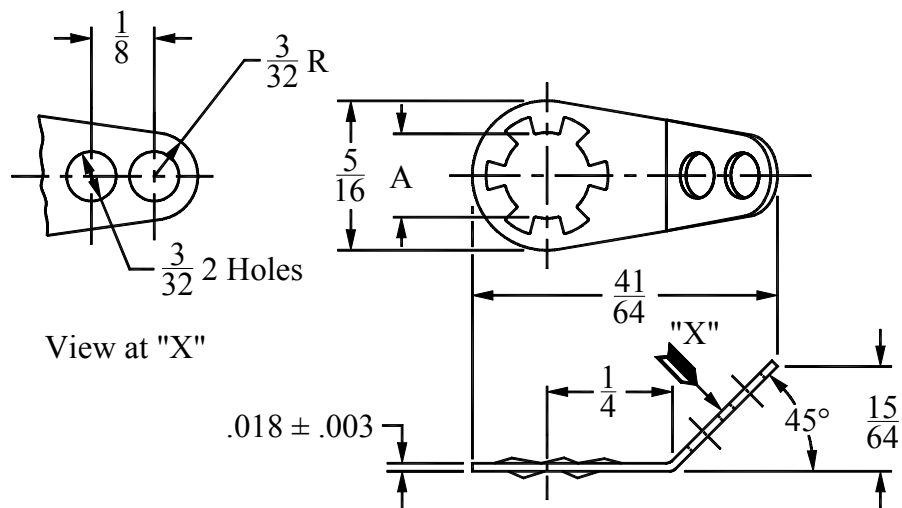


FIGURE 1. Terminal dimensions.

## MS77068B

TABLE I. Dash numbers and dimensions.

Dash no.	Screw size	A		AWG <sup>1</sup> size
		Max.	Min.	
1	4	0.127	0.115	12 to 20
2	6	0.153	0.141	
3	8	0.179	0.167	
4	10	0.205	0.193	

<sup>1</sup>American Wire Gauge.

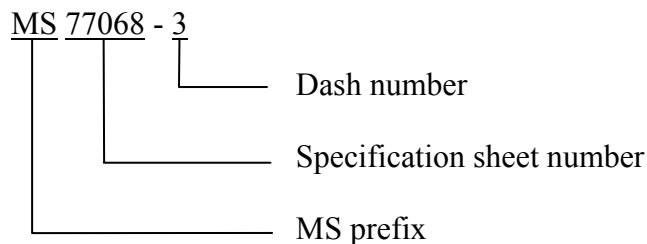
## REQUIREMENTS:

1. **Material:** Phosphor bronze strip alloy C50500 (1.3 percent tin), in accordance with ASTM B 508 (DOD adopted), having a minimum temper of H02. As an alternative material, copper, strip alloy C42500 in accordance with ASTM B 591 (DOD adopted), having a minimum temper of H02 may be used.

2. **Finish:** Tinned; electrodeposited over entire surface in accordance with ASTM B 545 (DoD adopted) and ASTM B 339 (DoD adopted). Minimum thickness 0.0005 inches.

## NOTES:

- Dimensions are in inches.
- Unless otherwise specified, tolerance is  $\pm 0.015$ , angles  $\pm 2$  degrees.
- Remove all burrs.
- Referenced documents of issue in effect on date of invitation for bids shall apply.
- In the event of a conflict between the text of this document and the references cited herein, the text of this document shall take precedence.
- The part or identifying number (PIN) consists of the letters MS, the specification sheet number, and a dash number taken from table I.



CHANGES FROM PREVIOUS ISSUE: Marginal notations are not used in this revision to identify changes with respect to the previous issue due to the extent of those changes.

MS77068B

Custodians:

Army - AV

Navy - SH

Air Force - 11

Preparing Activity:

DLA - GS2

(Project 5940-1444)

Review Activities:

Army - CR4, MI

Navy - MC

Air Force - 99