

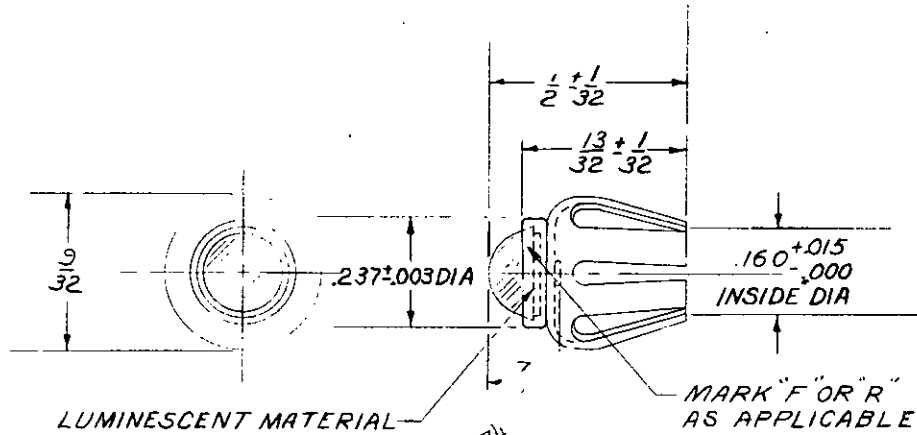
Requester and User information is current as of the date of this document. For future coordination of changes to this document, draft circulation should be based on the information in the current Federal Supply Classification Listing of DOD Documents.

User: MG, EF, MC

Army - M D  
Navy - W P  
Air Force - 69

This military standard is approved by the Department of Defense and is mandatory on all activities. Selection for all new engineering and design applications and for repetitive use shall be made from this document.

FED. SUP CLASS  
9905



Ⓐ CANCELLED AFTER 6 December 1974  
No superseding standard

NO.	LUMINESCENT MATERIAL	MARKING
-1	FLUORESCENT	F
-2	RADIOACTIVE	R

- Notes:
- Dimensions in inches. Unless otherwise specified, tolerances: fractions  $\pm 1/64$ .
  - For design feature purposes, this standard takes precedence over procurement documents referenced herein.
  - Referenced documents shall be of the issue in effect on date of invitation for bid or request for proposal.

APPROVED 9 JUNE '64 REVISED Ⓐ 6 December 1974

P.A. ARMY - GL	TITLE MARKER, SELF-LUMINOUS & MARKER, FLUORESCENT; TIP, TOGGLE SWITCH	MILITARY STANDARD
Other Cust NAVY - W P AIR FORCE - 69		MS 70089
Procurement Specification MIL-M-6750	SUPERSEDES: AN 3221	SHEET 1 OF 1