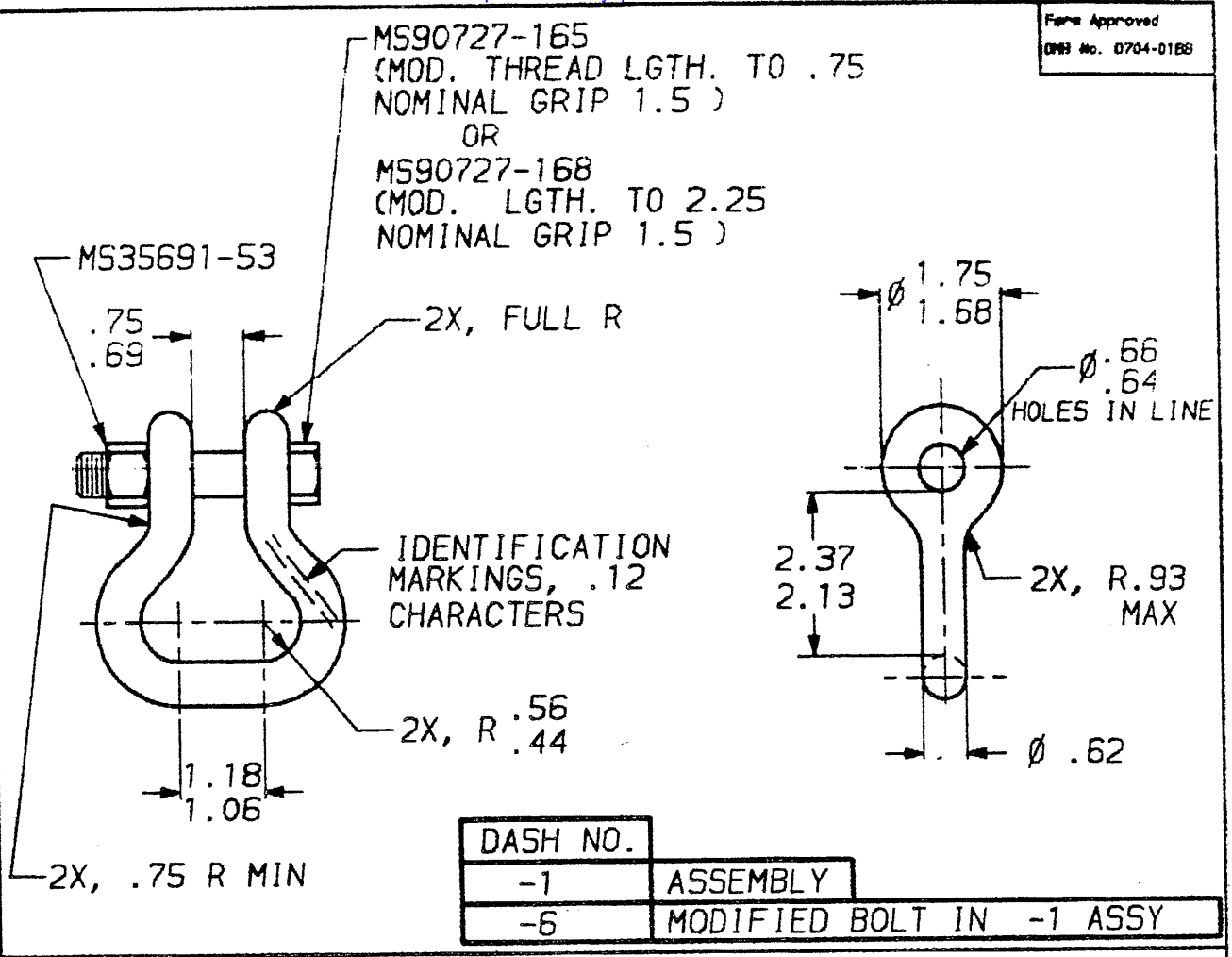


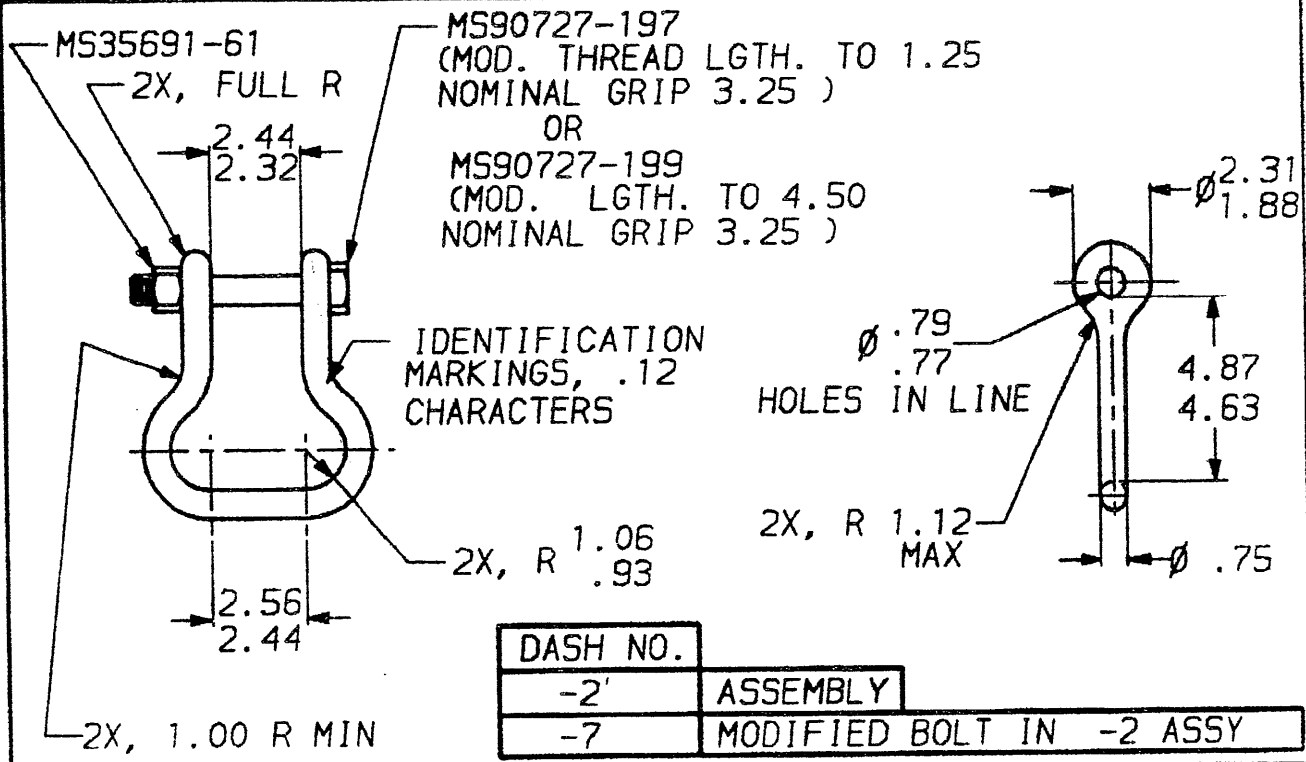
Form Approved
 OMB No. 0704-0188

THE REQUIREMENTS FOR ACQUIRING THE PRODUCTS DESCRIBED HEREIN SHALL CONSIST OF THIS SPECIFICATION SHEET AND THE ISSUE OF THE FOLLOWING SPECIFICATION LISTED IN THAT ISSUE OF THE DOCSIS SPECIFIED IN THE SOLICITATION, MIL-S-88121, CLEAVES, SUSPENSION, AIR DELIVERY-TYPE I, GENERAL SPECIFICATION FOR DOCUMENT.



DASH NO.	
-1	ASSEMBLY
-6	MODIFIED BOLT IN -1 ASSY

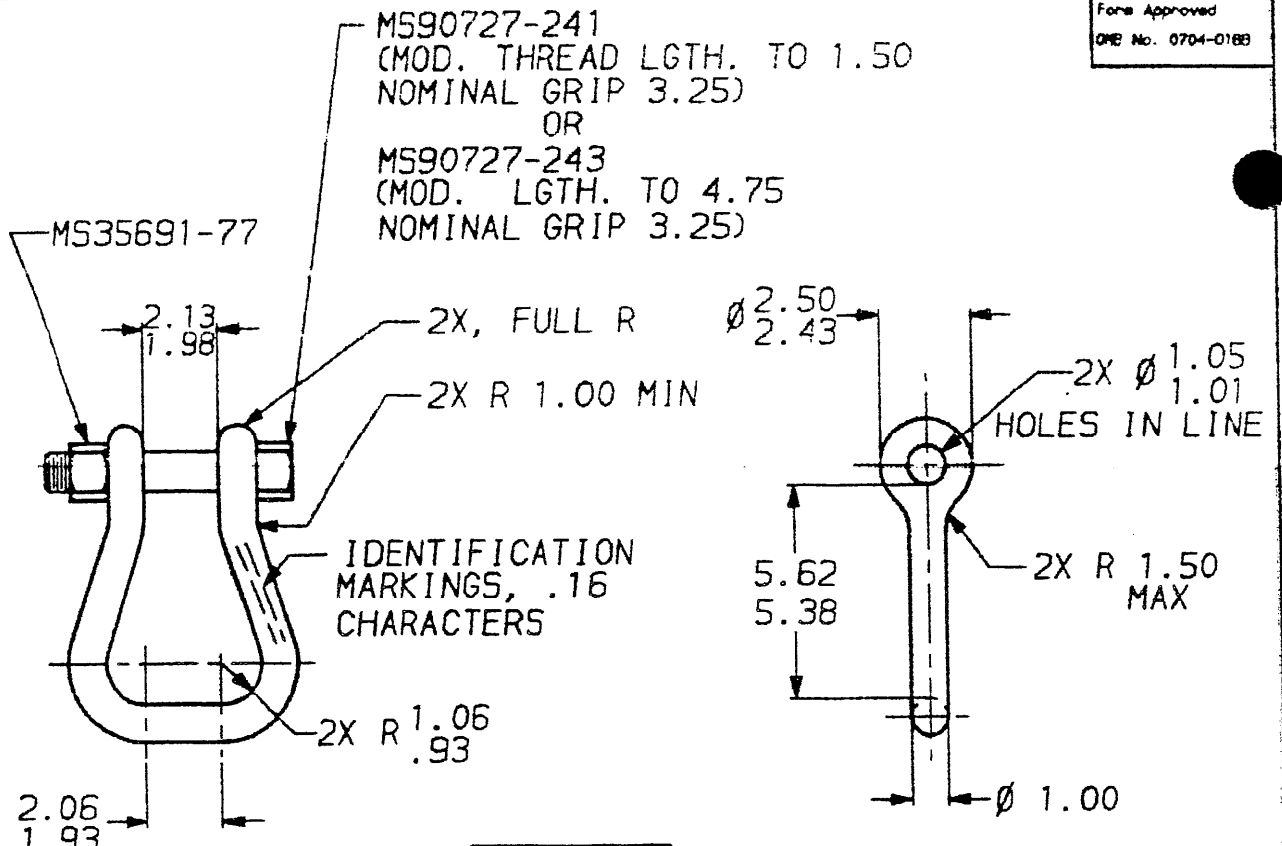
THIS SPECIFICATION IS APPROVED FOR USE BY ALL DEPARTMENTS AND AGENCIES OF THE DEPARTMENT OF DEFENSE. SELECTIONS OF ALL NEW ENGINEERING AND DESIGN APPLICATIONS FOR REPETITIVE USE SHALL BE MADE FROM THIS DOCUMENT.



DASH NO.	
-2	ASSEMBLY
-7	MODIFIED BOLT IN -2 ASSY

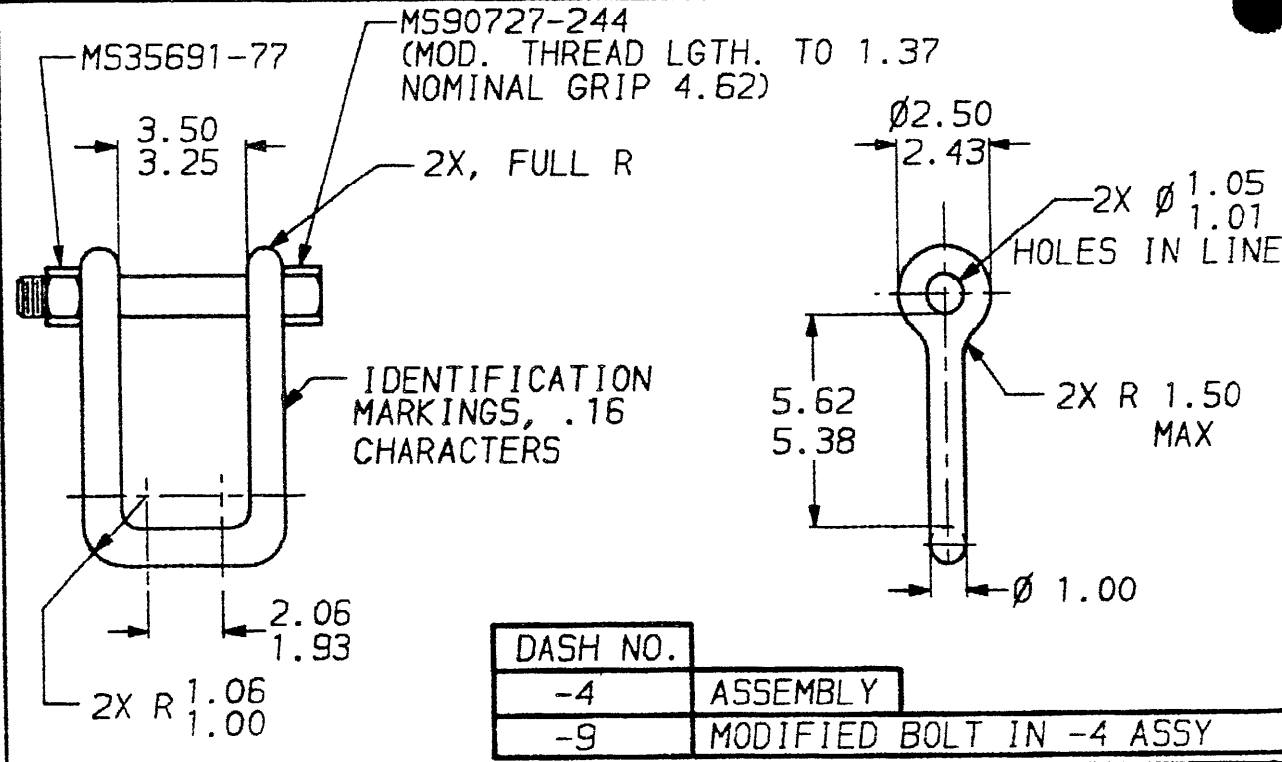
PREPARING ACTIVITY: ARMO-GL CUSTODIANS: ARMO-GL NAVY-AS ATR FORCE-SS DLA-	MILITARY SPECIFICATION SHEET TITLE: CLEAVES, SUSPENSION, AIR DELIVERY-TYPE I	SPECIFICATION SHEET NUMBER MS 70087L 12 FEBRUARY 82 SUPERSEDING MS70087K 8 NOV 88 ASEC- N/A PSC- 1670
REVIEW: AF-BC, ARMY-TP USER: NAVY-MC PROJECT NUMBER: 1670-0775 DISTRIBUTION STATEMENT A APPROVED FOR PUBLIC RELEASE, DISTRIBUTION IS UNLIMITED.	Page 1 of 6	

THE REQUIREMENTS FOR ACQUIRING THE PRODUCTS DESCRIBED HEREIN SHALL CONSIST OF THIS SPECIFICATION SHEET AND THE ISSUE OF THE FOLLOWING SPECIFICATION LISTED IN THAT ISSUE OF THE DRAWING SPECIFIED IN THE SOLICITATION: MIL-C-40137 CLEAVES, RIBBING, AIR DELIVERY TYPE, GENERAL SPECIFICATION FOR



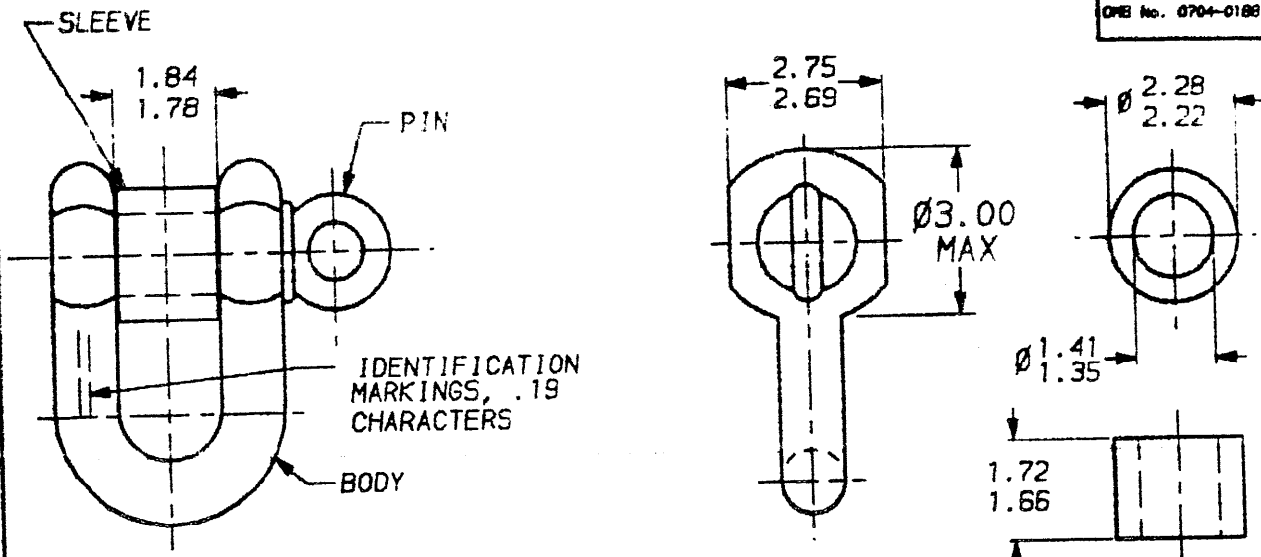
DASH NO.	
-3	ASSEMBLY
-8	MODIFIED BOLT IN -3 ASSY

THIS SPECIFICATION IS APPROVED FOR USE BY ALL DEPARTMENTS AND AGENCIES OF THE DEPARTMENT OF DEFENSE. SELECTIONS OF ALL NEW ENGINEERING AND DESIGN APPLICATIONS FOR REPETITIVE USE SHALL BE MADE FROM THIS DOCUMENT.



DASH NO.	
-4	ASSEMBLY
-9	MODIFIED BOLT IN -4 ASSY

PREPARING ACTIVITY: ARMY-GL	MILITARY SPECIFICATION SHEET	SPECIFICATION SHEET NUMBER
CUSTODIANS: ARMY-GL NAVY-AS	TITLE	MS 70087L 12 FEBRUARY 88
AIR FORCE-99 OLA-	CLEAVES, SUSPENSION, AIR DELIVERY-TYPE I	SUPERSEDING MS70087K 8 NOV 88
REVIEW: AF-62, ARMY-TR		ANSC- N/A FSC- 1670
USER: NAVY-MC		
PROJECT NUMBER: 1670-0775		
DISTRIBUTION STATEMENT		Page 2 of 6



NOTE:

CLEVIS BODY AND PIN SHALL BE IN ACCORDANCE WITH TYPE IVB, CLASS 2, SIZE 1-1/8" PER RR-C-271, EXCEPT FOR THE REQUIREMENTS AS SHOWN IN THIS DOCUMENT.

DASH NO.	
-5	ASSEMBLY
-10	PIN IN -5 ASSY
-11	SLEEVE IN -5 ASSY

REQUIREMENTS

EXCEPT AS SPECIFIED HEREIN, REQUIREMENTS SHALL BE IN ACCORDANCE WITH THE PROCUREMENT SPECIFICATION.

- MATERIAL** -CLEVIS BODY FOR -1, -2, -3, -4, -5 AND -10 PIN SHALL BE STEEL ALLOY AISI/SAE 4130/4140/0R 8630 CONFORMING TO COMPOSITION REQUIREMENTS OF FED-STD-66. SLEEVE, -11 STEEL, AISI/SAE 1010/1020, FED-STD-66.
- METHOD OF FORMING** -CLEVIS BODIES - FORGING.
- TOLERANCES** -UNLESS OTHERWISE SPECIFIED, COMMERCIAL TOLERANCES FOR IMPRESSION DIE FORGINGS DEVELOPED BY THE DROP FORGING ASSOCIATION SHALL APPLY.
- HEAT TREATMENT** -CLEVIS BODIES FOR -1, -2, -3, -4, -5, AND -10 PIN SHALL BE HEAT TREATED TO 150,000 - 170,000 PSI ULTIMATE TENSILE STRENGTH IN ACCORDANCE WITH MIL-H-6875.
- SURFACE ROUGHNESS** -250 RHR MAX. IN ACCORDANCE WITH AMERICAN NATIONAL STANDARDS INSTITUTE, INC. ANSI B46.1 BREAK SHARP EDGES AND REMOVE ALL BURRS.
- PROTECTIVE FINISH** -FOR -1, -2, -3, AND -4 CLEVIS BODIES AND FOR -11 SLEEVE AND ALTERNATE FOR -5 CLEVIS AND -10 PIN, COATING, IMMERSION ZINC FLAKE/CHROMATE DISPERSION PER MIL-C-87115, CLASS 3, TYPE II.
- PROOF LOAD** -SPECIFIED PROOF LOAD SHALL BE APPLIED WITH EVEN DISTRIBUTION ACROSS SPAN OF BOLT AND CLEVIS BODY BY A SUITABLE TEST FIXTURE.

NOTES

- FOR DESIGN FEATURE PURPOSES, THIS STANDARD TAKES PRECEDENCE OVER PROCUREMENT DOCUMENTS REFERENCED HEREIN.
- REFERENCED DOCUMENTS SHALL BE OF THE ISSUE IN EFFECT ON DATE OF INVITATIONS FOR BIDS, OR REQUEST FOR PROPOSAL EXCEPT THAT REFERENCED ADOPTED INDUSTRY DOCUMENTS SHALL GIVE THE DATE OF THE ISSUE ADOPTED.
- PART NUMBER:** THE MS PART NUMBER CONSISTS OF THE MS NUMBER PLUS THE DASH NUMBER. EXAMPLE: MS70087-5.

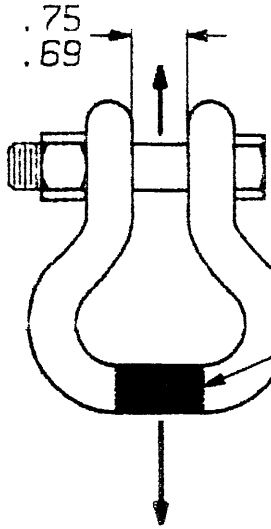
THE REQUIREMENTS FOR ACQUIRING THE PRODUCTS DESCRIBED HEREIN SHALL CONSIST OF THIS SPECIFICATION SHEET AND THE ISSUE OF THE FOLLOWING SPECIFICATION LISTED IN THAT ISSUE OF THE DODDS SPECIFIED IN THE SOLICITATION: MIL-S-88187, CLEVIS, BOWLING, AIR DELIVERY-TYPE I, GENERAL SPECIFICATION FOR

THIS SPECIFICATION IS APPROVED FOR USE BY ALL DEPARTMENTS AND AGENCIES OF THE DEPARTMENT OF DEFENSE. SELECTIONS OF ALL NEW ENGINEERING AND DESIGN APPLICATIONS FOR REPETITIVE USE SHALL BE MADE FROM THIS DOCUMENT.

PREPARING ACTIVITY, ARMY-GL	MILITARY SPECIFICATION SHEET	SPECIFICATION SHEET NUMBER
CUSTOMIANS, ARMY-GL NAVY-AS AIR FORCE-99 DLA-	TITLE CLEVISES, SUSPENSION, AIR DELIVERY-TYPE I	MS 70087L 12 FEBRUARY 92
REVIEW, AF-02, ARMY-TR USER, NAVY-AC		SUPERSEDING MS70087K 8 NOV 88
PROJECT NUMBER: 1670-0773		ANSC- N/A FSC- 1670
DISTRIBUTION STATEMENT		Page 3 of 6

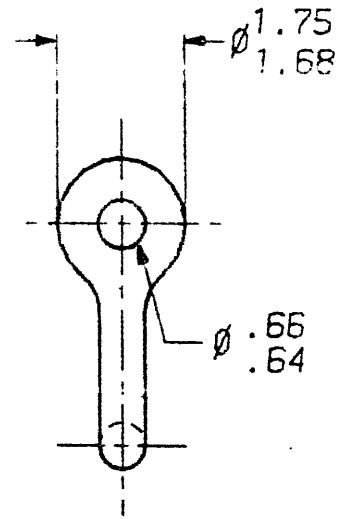
CRITICAL DIMENSIONS - CRITICAL FUNCTIONS/TESTS

THE REQUIREMENTS FOR ACQUIRING THE PRODUCTS DESCRIBED HEREIN SHALL CONSIST OF THIS SPECIFICATION SHEET AND THE ISSUE OF THE FOLLOWING SPECIFICATION LISTED IN THAT ISSUE OF THE DRAWING SPECIFIED IN THE SOLICITATION: MIL-C-9017, CLEAVISES, AIR DELIVERY TYPE, GENERAL SPECIFICATION FOR

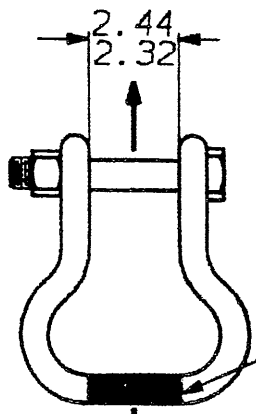


HARDNESS TEST TO BE PERFORMED IN SHADED AREA

20,000 LB PROOF LOAD

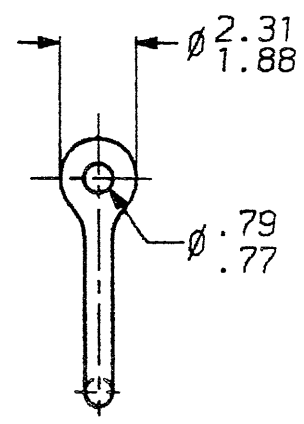


DASH NO.
-1



HARDNESS TEST TO BE PERFORMED IN SHADED AREA

20,000 LB PROOF LOAD



DASH NO.
-2

CRITICAL DIMENSIONS: AS SHOWN

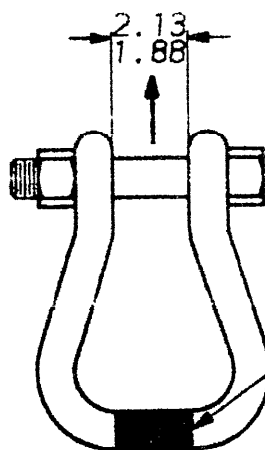
- CRITICAL FUNCTIONS/TESTS:
1. HARDNESS TEST PER MIL-H-6875 IN AREAS SHOWN.
 2. PROOF LOAD.
 3. ACCEPT SPECIFIED BOLT AND NUT FREELY.
 4. NO THREADS IN GRIP AREA.

THIS SPECIFICATION IS APPROVED FOR USE BY ALL DEPARTMENTS AND AGENCIES OF THE DEPARTMENT OF DEFENSE. SELECTIONS OF ALL NEW ENGINEERING AND DESIGN APPLICATIONS FOR REPETITIVE USE SHALL BE MADE FROM THIS DOCUMENT.

PREPARING ACTIVITY: ARMY-GL CUSTOMARS: ARMY-GL NAVY-AS AIR FORCE-99 DLA-	MILITARY SPECIFICATION SHEET TITLE: CLEAVISES, SUSPENSION, AIR DELIVERY-TYPE I	SPECIFICATION SHEET NUMBER MS 70087L 12 FEBRUARY 82 SUPERSEDING MS70087K 8 NOV 88 ANSC- N/A FSC- 1670
REVIEW: AF-62, ARMY-TR USER: NAVY-NC PROJECT NUMBER: 1670-0773 DISTRIBUTION STATEMENT	Page 4 of 6	

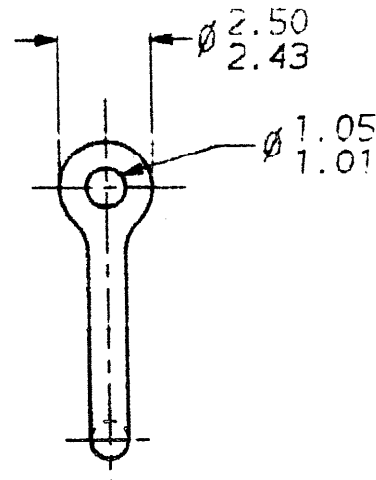
CRITICAL DIMENSIONS - CRITICAL FUNCTIONS/TESTS

THE REQUIREMENTS FOR ACQUIRING THE PRODUCTS DESCRIBED HEREIN SHALL CONSIST OF THIS SPECIFICATION SHEET AND THE ISSUE OF THE FOLLOWING SPECIFICATION LISTED IN THAT ISSUE OF THE DOCSIS SPECIFIED IN THE SOLICITATION: MIL-S-8037Z, CLEAVES, SUSPENSION, AIR DELIVERY-TYPE, GENERAL SPECIFICATION FOR DOCUMENT

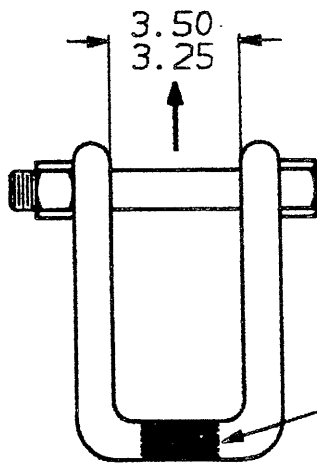


HARDNESS TEST TO BE PERFORMED IN SHADED AREA

40,000 LB PROOF LOAD

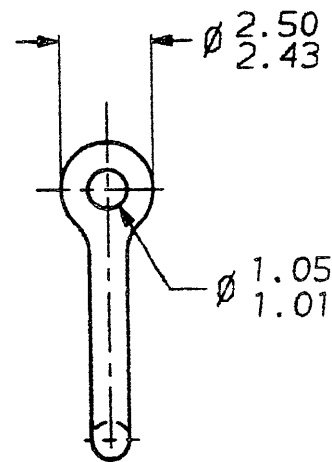


DASH NO.
-3



HARDNESS TEST TO BE PERFORMED IN SHADED AREA

40,000 LB PROOF LOAD



DASH NO.
-4

CRITICAL DIMENSIONS: AS SHOWN
CRITICAL FUNCTIONS/TESTS:

1. HARDNESS TEST PER MIL-H-6875 IN AREAS SHOWN.
2. PROOF LOAD.
3. ACCEPT SPECIFIED BOLT AND NUT FREELY.
4. NO THREADS IN GRIP AREA.

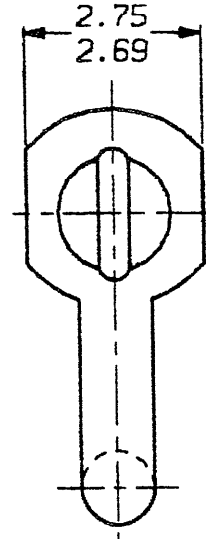
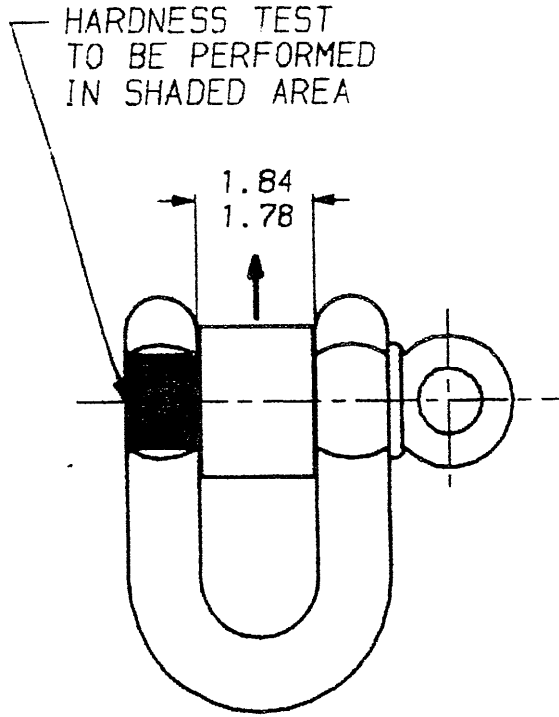
THIS SPECIFICATION IS APPROVED FOR USE BY ALL DEPARTMENTS AND AGENCIES OF THE DEPARTMENT OF DEFENSE. SELECTIONS OF ALL NEW ENGINEERING AND DESIGN APPLICATIONS FOR REPETITIVE USE SHALL BE MADE FROM THIS DOCUMENT

PREPARING ACTIVITY: ARMY-GI CUSTODIANS: ARMY-GI NAVY-AS AIR FORCE-88 DLA-	MILITARY SPECIFICATION SHEET TITLE CLEAVES, SUSPENSION, AIR DELIVERY-TYPE I	SPECIFICATION SHEET NUMBER MS 70087L 12 FEBRUARY 92 SUPERSEDING MS70087K 8 NOV 88 ANSC- N/A PSC- 1670
REVIEW: AF-82, ARMY-TR USER: NAVY-MC PROJECT NUMBER: 1670-0779 DISTRIBUTION STATEMENT	Page 5 of 6	

CRITICAL DIMENSIONS - CRITICAL FUNCTIONS/TESTS

THE REQUIREMENTS FOR ACQUIRING THE PRODUCTS DESCRIBED HEREIN SHALL CONSIST OF THIS SPECIFICATION SHEET AND THE ISSUE OF THE FOLLOWING SPECIFICATION LISTED IN THAT ISSUE OF THE DODSS SPECIFIED IN THE SOLICITATION, MIL-S-80137 CLEAVES, BLINDING, AIR DELIVERY TYPE, GENERAL SPECIFICATION FOR

THIS SPECIFICATION IS APPROVED FOR USE BY ALL DEPARTMENTS AND AGENCIES OF THE DEPARTMENT OF DEFENSE. SELECTIONS OF ALL NEW ENGINEERING AND DESIGN APPLICATIONS FOR REPETITIVE USE SHALL BE MADE FROM THIS DOCUMENT.



50,000 LB
PROOF LOAD

DASH NO.
-5

CRITICAL DIMENSIONS: AS SHOWN

CRITICAL FUNCTIONS/TESTS: 1. HARDNESS TEST PER MIL-H-6875 IN AREAS SHOWN.
2. PROOF LOAD.
3. ACCEPT SPECIFIED PIN AND SLEEVE FREELY.

PREPARING ACTIVITY, ARMY-GL CUSTODIANS: ARMY-GL NAVY-AS AIR FORCE-59 DLA-	MILITARY SPECIFICATION SHEET TITLE CLEAVES, SUSPENSION, AIR DELIVERY-TYPE I	SPECIFICATION SHEET NUMBER MS 70087L 12 FEBRUARY 92 SUPERSEDING MS70087K 8 NOV 88 MSC- N/A FSC- 1670
REVIEW, AF-82 ARMY-TR USER, NAVY-NC PROJECT NUMBER, 1670-0773 DISTRIBUTION STATEMENT	Page 6 of 6	