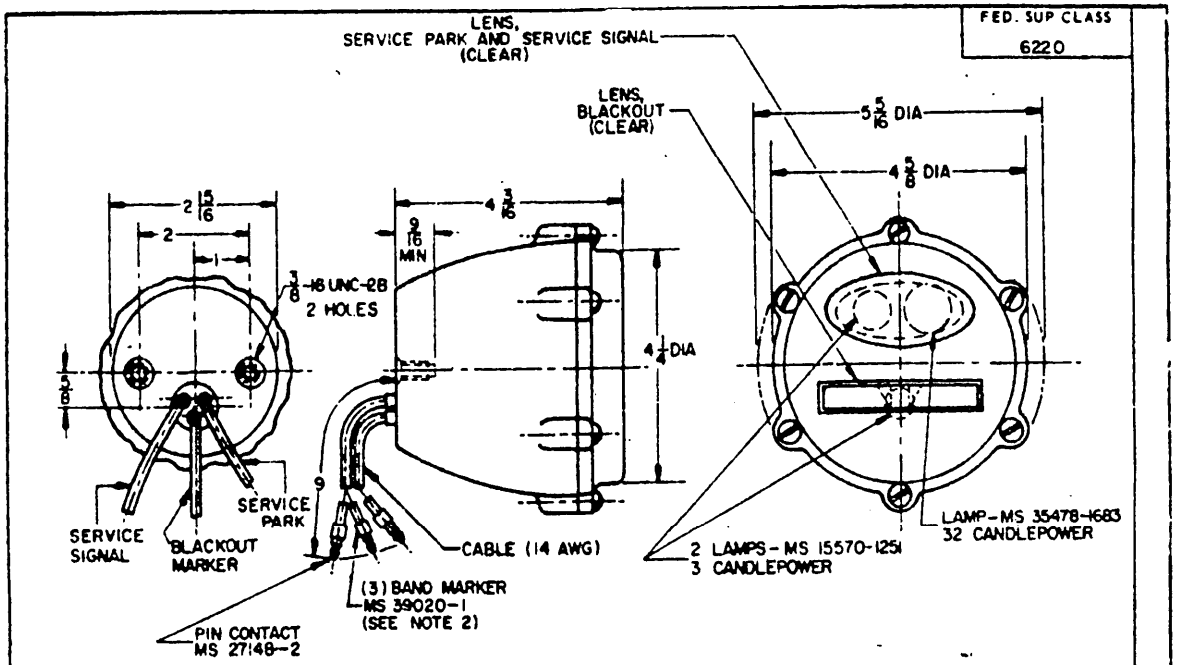


NOTICE—When Government drawings, specifications, or other data are used for any purpose other than in connection with a definitely related Government procurement operation, the United States Government hereby incurs no responsibility, nor any obligation whatsoever; and the fact that the Government may have furnished, furnished, or in any way supplied the said drawings, specifications, or other data is not to be regarded by implication or otherwise as in any manner limiting the holder or any other person in connection, or conveying any right or permission to manufacture use, or sell any patented invention that may in any way be related thereto.

This military standard is approved by the Department of Defense and is mandatory on all activities. Subsequent to its approval, all new engineering and design applications and for repetitive use shall be made from this document.



FED. SUP CLASS
6220

TEST POINTS (ANGULAR DEGREES)	CANDLEPOWER	
	SERVICE PARK	SERVICE SIGNAL
10° U-5° R @ 5° L	1.0	6.0
10° D-5° R @ 5° L	0.0	6.0
10° U OR 10° D-VERTICAL	1.0	20.0
5° U OR 5° D-20° R @ 20° L	0.0	6.0
5° U OR 5° D-10° R @ 10° L	1.0	20.0
5° U-5° R @ 5° L	1.0	40.0
5° U OR 5° D-VERTICAL	1.0	60.0
HORIZONTAL-20° R @ 20° L	1.0	12.0
HORIZONTAL-10° R @ 10° L	1.0	28.0
HORIZONTAL-5° R @ 5° L	1.0	80.0
HORIZONTAL-VERTICAL	1.0	120.0

INACTIVE
FOR NEW DESIGN
AFTER 1 OCTOBER 1973
USE MS 53047(AT)

NOTES

- PHOTOMETRIC CHARACTERISTICS ARE TO BE TAKEN AT A DISTANCE OF 4 FEET FROM THE LIGHT WITH 28 VOLTS DC APPLIED AND WILL BE IN ACCORDANCE WITH VALUES IN TABULATION.
- BAND MARKERS SHALL INDICATE THE FOLLOWING CIRCUIT NUMBERS: SERVICE PARK 491, SERVICE SIGNAL 460, 461, BLACKOUT MARKER 20, 483, 484.
- THREADS SHALL BE IN ACCORDANCE WITH SCREW THREAD STANDARDS FOR FEDERAL SERVICES, HANDBOOK H 28.
- DIMENSIONS SHOWN ARE IN INCHES AND FOR ENGINEERING REFERENCE ONLY.
- MARKING SHALL CONSIST OF THE MS PART NUMBER AND MANUFACTURERS IDENTIFICATION IN ACCORDANCE WITH MIL-STD-130.
- FOR DESIGN FEATURE PURPOSES, THIS STANDARD TAKES PRECEDENCE OVER PROCUREMENT DOCUMENTS REFERENCED HEREIN.
- REFERENCED DOCUMENTS SHALL BE OF THE ISSUE IN EFFECT ON DATE OF INVITATIONS FOR BID.
- DETAILS OF THIS ASSEMBLY SHALL BE IN ACCORDANCE WITH REFERENCED ORDNANCE DRAWINGS (SEE ENGINEERING PARTS LIST EPL 8376368) AND MAY BE OBTAINED FROM U.S. ARMY TANK-AUTOMOTIVE CENTER, CENTER LINE, MICHIGAN, ATTENTION STANDARDIZATION BRANCH, SMOTA-RSS.2.

MS PART NO.	ORD DWG. NO.
MS 53047-1	D 8376368

P A MO Other Cust Navy-Docks	TITLE LIGHT, MARKER-SERVICE PARK, SERVICE SIGNAL AND BLACKOUT MARKER, 24 VOLT	MILITARY STANDARD MS 53047 SHEET 1 OF 1
PROCUREMENT SPECIFICATION NONE	SUPERSEDES	

DD FORM 672-1

PREVIOUS EDITIONS OF THIS FORM ARE OBSOLETE

APPROVED 23 NOVEMBER 1962 REVISED 1 OCTOBER 1973