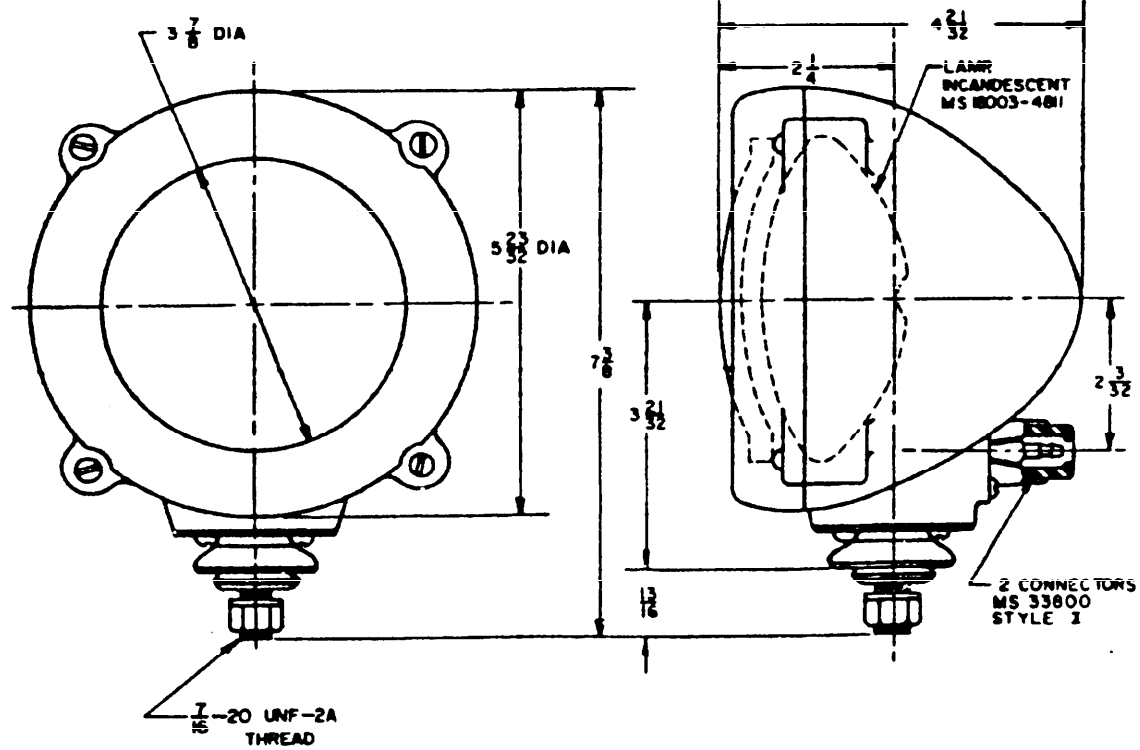


FED. SUP CLASS
6220

USER ACTIVITIES: ARMY-ME

REVIEWER ACTIVITIES: DLA-GS

This military standard is approved for use by all Departments and Services of the Department of Defense. Selection for all new engineering and design applications and for repetitive use shall be made from this document when applicable.
ANSC W/A
DISTRIBUTION STATEMENT A: Approved for public release; distribution is unlimited.



- NOTES:
1. THREADS SHALL BE IN ACCORDANCE WITH SCREW THREAD STANDARDS FOR FEDERAL SERVICES, "FED-STD-H28"
 2. DIMENSIONS SHOWN ARE IN INCHES AND FOR ENGINEERING REFERENCE ONLY.
 3. MARKING SHALL CONSIST OF THE MS NUMBER AND MANUFACTURER'S IDENTIFICATION IN ACCORDANCE WITH MIL-STD-130.
 4. FOR DESIGN FEATURE PURPOSES, THIS STANDARD TAKES PRECEDENCE OVER PROCUREMENT DOCUMENTS REFERENCED HEREIN.
 5. REFERENCED DOCUMENTS SHALL BE OF THE ISSUE IN EFFECT ON DATE OF INVITATIONS FOR BID.
 6. DETAILS OF THIS ASSEMBLY SHALL BE IN ACCORDANCE WITH REFERENCED ORDNANCE DRAWINGS (SEE ENGINEERING PARTS LISTS EPL 8735874) AND MAY BE OBTAINED FROM THE U.S. ARMY TANK-AUTOMOTIVE COMMAND, WARREN, MICHIGAN 48397-5000, ATTENTION: STANDARDIZATION BRANCH.

(B) DENOTES CHANGE

MS PART NO.	ORD DWG. NO.
MS 53023 -1	A 8735874

P. A. ARMY-AT Other Cust NAVY-MC	INTERNATIONAL INTEREST	TITLE HEADLIGHT - SERVICE, DOUBLE FILAMENT, 24 VOLT, WATERPROOF	MILITARY STANDARD
PROCUREMENT SPECIFICATION NONE	SUPERSEDES:		MS53023
			SHEET 1 OF 1

APPROVED 22 AUGUST 1962 REVISED (B) 28 JANUARY 1968