

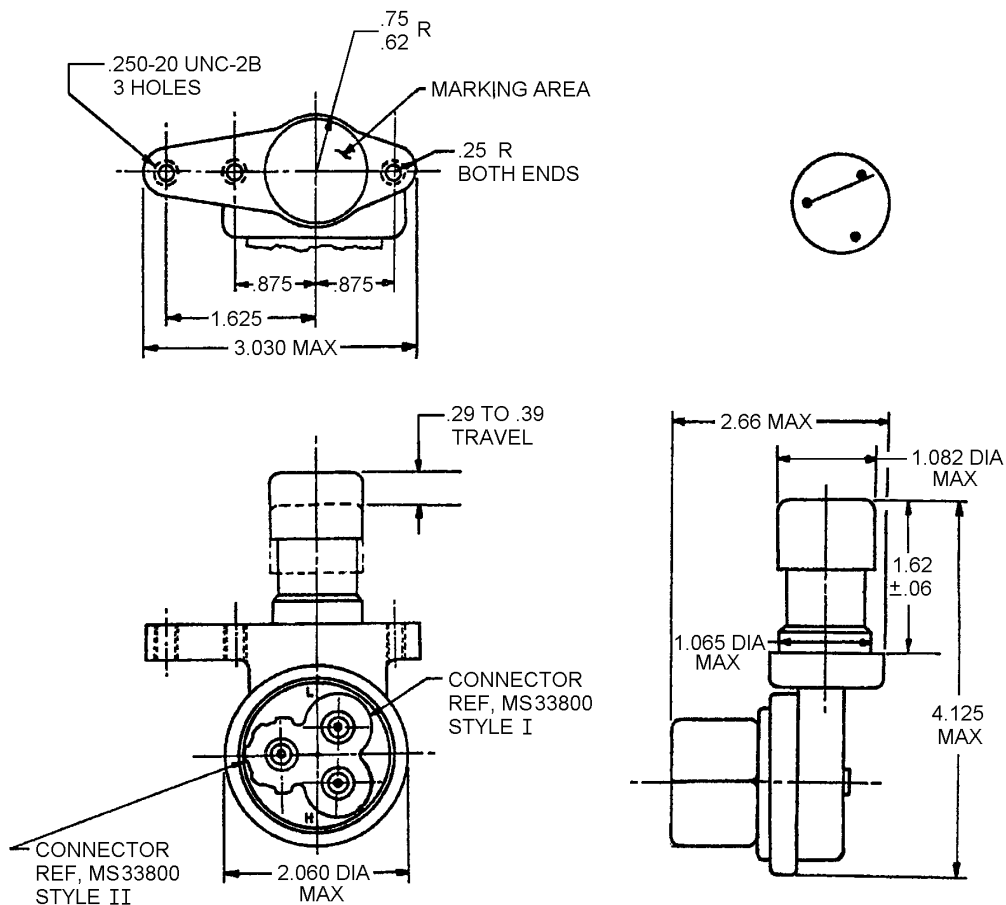
INCH-POUND
 MS53000C
 25 April 2003
 SUPERSEDING
 MS53000B
 7 February 1969

DETAIL SPECIFICATION SHEET

SWITCH, BEAM SELECTING, HEADLIGHT,
 SINGLE POLE DOUBLE THROW, NO OFF, 28 VOLT DC

This specification is approved for use by all Departments
 and Agencies of the Department of Defense.

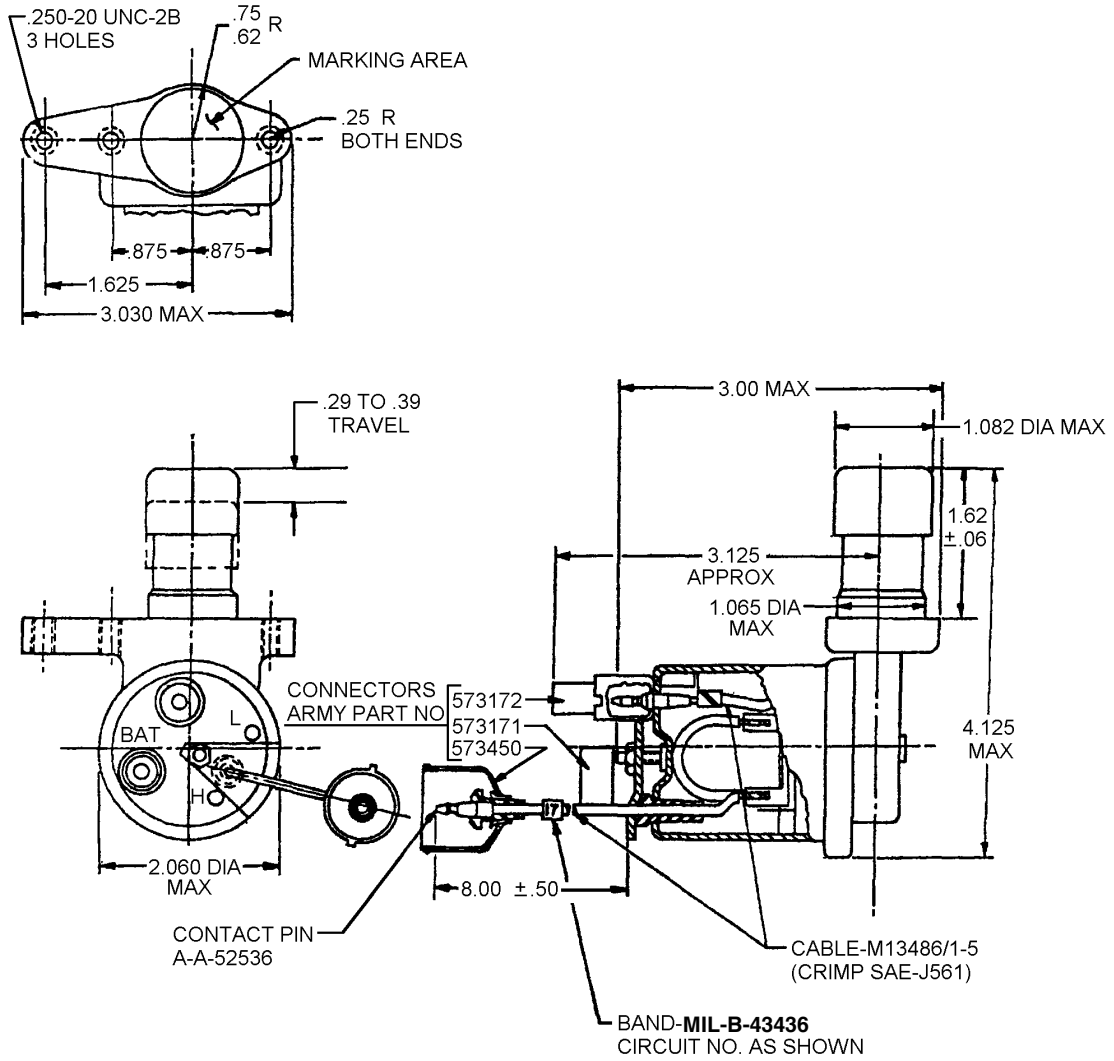
The requirements for acquiring the product described herein
 shall consist of this specification and MIL-S-13625



MS53000-1

FIGURE 1. Dimensions and configuration.

MS53000C



MS53000-2

FIGURE 1. Dimensions and configuration - Continued.

MS53000C

Inches	mm	Inches	mm	Inches	mm	Inches	mm
0.06	1.524	0.62	15.748	1.082	27.4828	2.66	67.564
0.25	6.35	0.75	19.05	1.62	41.148	3	76.2
0.29	7.366	0.875	22.225	1.625	41.275	3.03	76.962
0.39	9.906	1.065	27.051	2.06	52.324	4.125	104.775

+-

NOTES:

1. Dimensions are in inches.
2. Metric equivalents are given for general information only.
3. Unless otherwise specified, tolerance is ± 0.015 inch (0.38 mm).
4. Alternative base metals and protective finishes, as approved by the qualifying activity, may be utilized for frame materials.

FIGURE 1. Dimensions and configuration - Continued.

MS53000C

REQUIREMENTS:

Switching characteristics:

Type II: Single Pole, Double Throw, NO Off.

Class B: Fast Make and Break.

Seal: Grade 1 Watertight.

Maximum weight: .12 ounces.

Part or Identifying Number (PIN): MS53000-1 and MS53000-2

Electrical ratings: See table I.

TABLE 1. Electrical ratings.

Load	28 V dc amperes
Resistive	15
Inductive	10
Lamp	8

Operating force: 35 pounds maximum.

Overload force: 100 pounds without damage.

Weight: 12 ounces maximum.

Marking: Shall consist of the MS PIN and the manufacturers identification in accordance with MIL-STD-130

Custodians:
Army - AT
DLA - CC

Preparing activity:
DLA - CC

(Project 5930-1755)

Review activities:
Army – CR4
Navy – MC