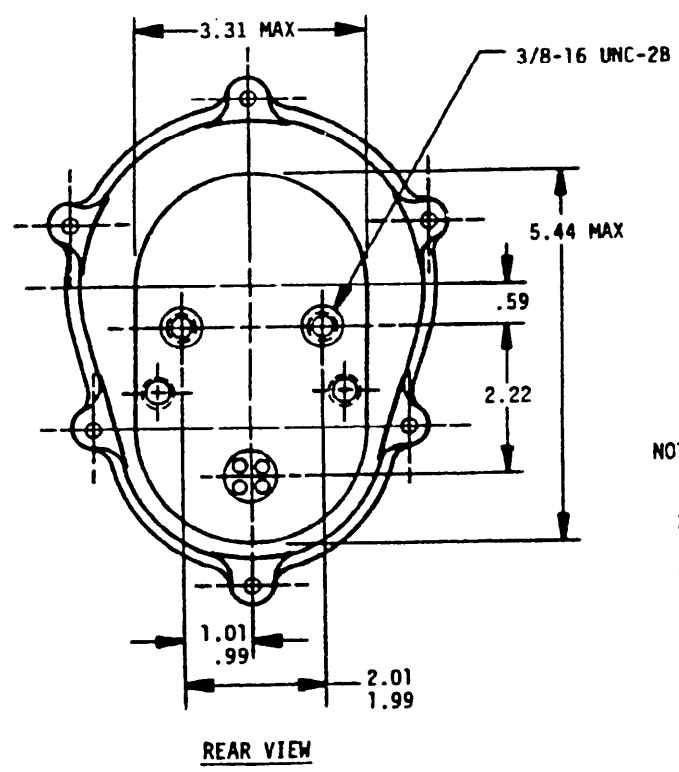
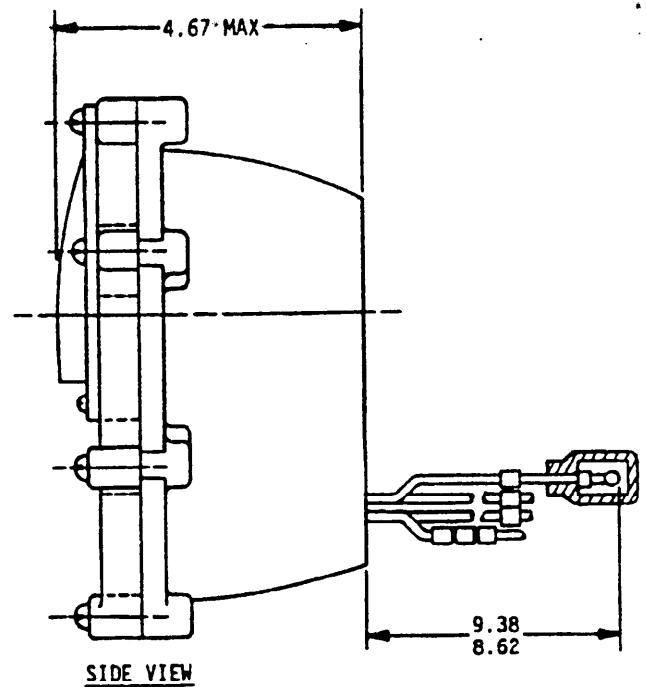
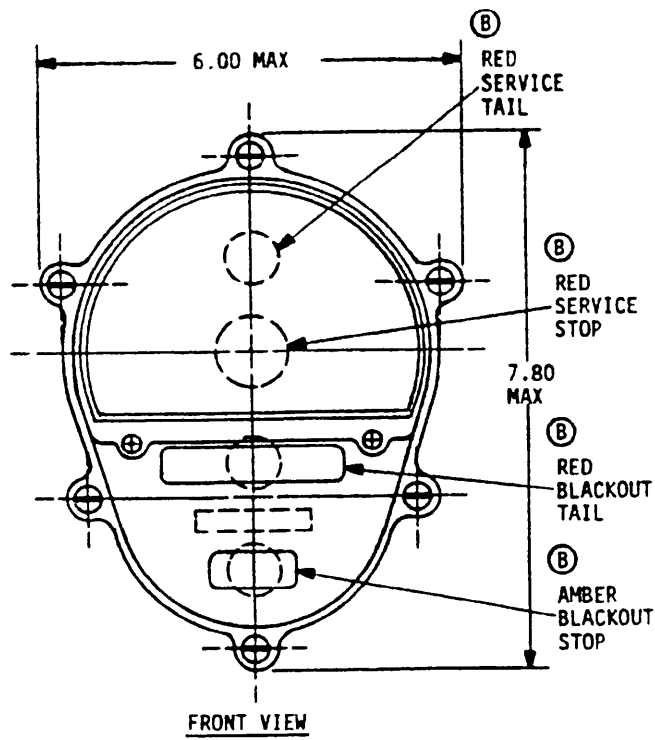


The requirements for acquiring the product(s) described here, shall consist of this specification sheet and the issue of the following specification listed in that issue of the DoD ISS specified in the solicitation:



- NOTES:
1. ALL THREADS SHALL BE IN ACCORDANCE WITH SCREW THREAD STANDARDS FOR FEDERAL SERVICES, H-28.
 2. DIMENSIONS SHOWN ARE IN INCHES AND ARE FOR ENGINEERING REFERENCE ONLY.
 3. REFERENCED GOVERNMENT DOCUMENTS OF THE ISSUE LISTED IN THAT ISSUE OF THE DEPARTMENT OF DEFENSE INDEX OF SPECIFICATIONS AND STANDARDS (DODISS) SPECIFIED IN THE SOLICITATION FORM A PART OF THIS STANDARD TO THE EXTENT SPECIFIED HEREIN.
 4. MATERIAL: ALUMINUM ALLOY DIE CASTING A360 SPEC QQ-A-591.
 5. DETAILS OF THIS ASSEMBLY SHALL BE IN ACCORDANCE WITH REFERENCED DRAWING, WHICH MAY BE OBTAINED FROM THE US ARMY TANK-AUTOMOTIVE COMMAND, WARREN, MI 48397-5000.

Ⓟ DENOTES CHANGES

INCH-POUND

MS PART NUMBER	VOLTS	REF DWG NO.
MS52125-1	12	11614157
MS52125-2	24	11614157

PREPARING ACTIVITY: ARMY-AT
CUSTODIANS: ARMY- AT NAVY- AIR FORCE-
REVIEW: DLA-GS
USER: ARMY-ME; NAVY-YD
PROJECT NUMBER: 6220-A362

MILITARY SPECIFICATION SHEET
TITLE:
COMPOSITE LIGHT, TAIL STOP, TURN AND MARKER

SPECIFICATION SHEET NUMBER: MS52125B	
24 JULY 1989	
SUPERSEDING: MS52125A, 27 AUGUST 1987	
AMSC-N/A	FSC- 6220