

INCH-POUND

MS52104D

12 April 2006

SUPERSEDING

MS52104C

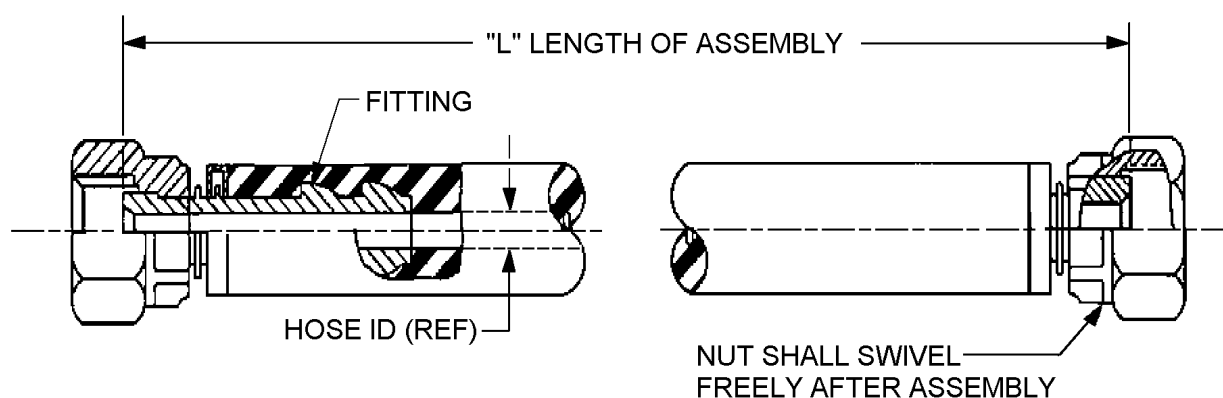
1 June 1999

DETAIL SPECIFICATION SHEET

HOSE ASSEMBLY, RUBBER: FUEL AND OIL,
LOW PRESSURE, FLARED TUBE

This specification is approved for use by all Departments and Agencies of the Department of Defense.

The requirements for acquiring the product described herein shall consist of this specification sheet and MIL-DTL-13444.



NOTES:

1. All undimensioned pictorial representations are for reference purposes only.
2. Dimension "L" is the defined length of the hose assembly.
3. Hose assemblies shall be specified in the following length increments:
 - a. Under 24 inches - 1/2 (.500) inch increments (under 60.96 cm - 12.70 mm increments).
 - b. 24 to 36 inches - 1 inch increments (60.96 to 91.44 cm - 25.40 mm increments).
 - c. Over 36 inches - in not less than 2 inch increments (91.44 cm in not less than 50.80 mm increments).
4. Tolerances shall be as specified in the following:
 - a. $\pm 1/8$ (.125) inch for length under 24 inches (± 3.18 mm for lengths under 60.96 cm).
 - b. $\pm 1/4$ (.250) inch for lengths from 24 to 36 inches (± 6.35 mm for lengths from 60.96 to 91.44 cm).
 - c. $\pm 1\%$ for lengths over 36 inches ($\pm 1\%$ for lengths over 91.44 cm).

FIGURE 1. General configuration.

MS52104D

TABLE I. Hose and fitting thread sizes. ^{1/} _{2/}

Designator	Hose ID ref.	Hose OD ref.	Fitting thread ref
4	1/4 inch	1/2 inch	7/16 - 20
	.250 inch	.500 inch	
	6.35 mm	12.70 mm	
6	3/8 inch	5/8 inch	9/16 - 18
	.375 inch	.625 inch	
	9.53 mm	15.88 mm	
8	1/2 inch	3/4 inch	3/4 - 16
	.500 inch	.750 inch	
	12.70 mm	19.05 mm	
10	5/8 inch	29/32 inch	7/8 - 14
	.625 inch	.906 inch	
	15.88 mm	23.01 mm	
12	3/4 inch	1 1/32 inch	1-1/16 - 12
	.750 inch	1.031 inch	
	19.05 mm	26.19 mm	

^{1/} Dimensions are in inches_{2/} Metric equivalents are for information only.

REQUIREMENTS

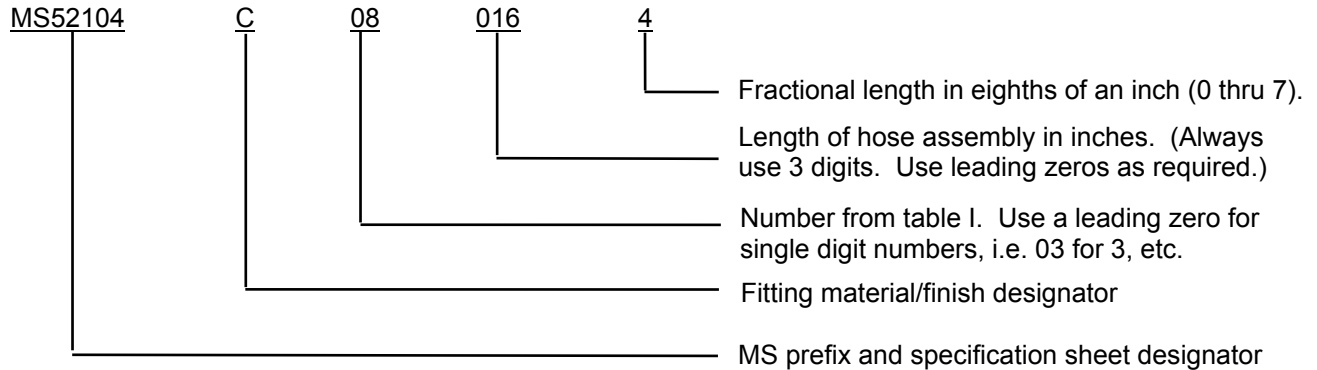
Design and configuration: See figure 1 and table I.

Hose material: The hose used in these assemblies shall be in accordance with MIL-DTL-13444, type I.

Fitting material and finish shall be in accordance with MIL-DTL-13444.

Fittings: Fitting shall be in accordance with SAE J516 37° flare.

Part or Identifying Number (PIN). The PIN's to be used for hose assemblies acquired to this specification are created as shown in the example below.



MS52104D

Fitting material/finish designators:

- A - Carbon steel, cadmium plated.
- B - Brass.
- C - Carbon steel
- S - Corrosion resistant steel.
- Z - Carbon steel, zinc plated.

Some existing MS PIN's do not completely fit the above layout, but they should continue to be used without change.

Changes from previous issue. Marginal notations are not used in this revision to identify changes with respect to the previous issue, due to the extent of the changes.

Referenced document: In addition to MIL-DTL-13444, this document references SAE J516.

CONCLUDING MATERIAL

Custodians:

- Army - AT
- Navy - YD
- DLA - CC

Preparing activity:

DLA - CC

(Project 4720-2005-004)

Review activities:

- Army - AR, AV, MI
- Navy - MC, SH

NOTE: The activities listed above were interested in this document as of the date of this document. Since organizations and responsibilities can change, you should verify the currency of the information above using the ASSIST Online database at <http://assist.daps.dla.mil>.