

INCH-POUND

MS51508B

14 December 2015

SUPERSEDING

MS51508A

17 January 1979

DETAIL SPECIFICATION SHEET

ELBOW, PIPE TO TUBE, 45 DEGREE,
MALE PIPE END, 37 DEGREE FLARED

This specification is approved for use by all Departments and
Agencies of the Department of Defense.

Inactive for new design after 17 August 1999. For new
design, use SAE-J514.

The requirements for acquiring the product described herein shall consist of this specification sheet
and MIL-DTL-18866.

MS51507 is inactive for new design and is no longer used, except for replacement purposes.

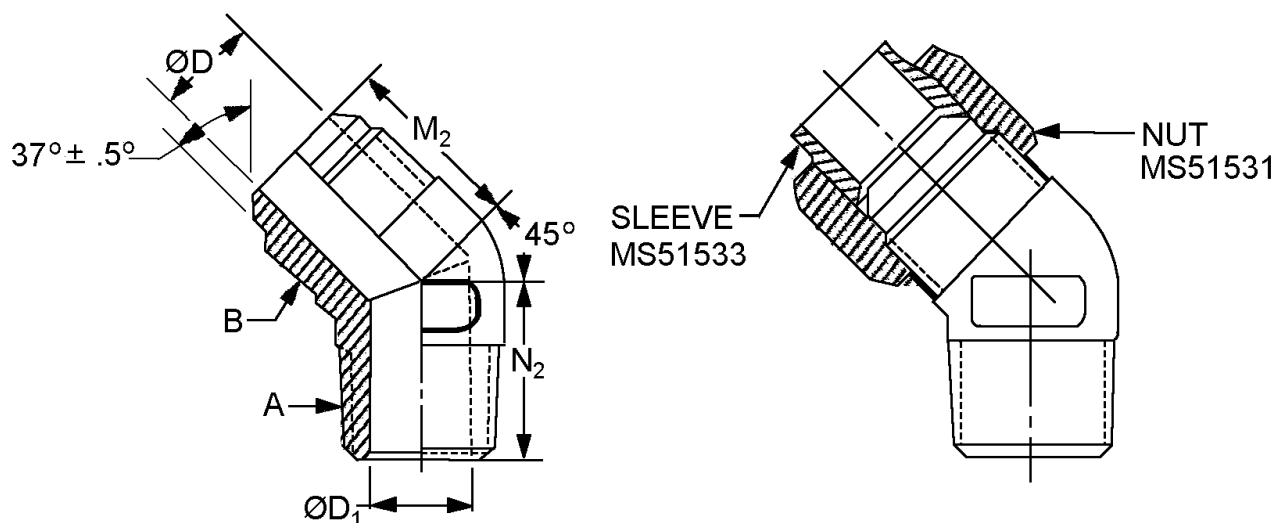


FIGURE 1. Elbow, pipe to tube 45°.



MS51508B

Suffix designator		Tube OD nom.	A pipe thread NPTF	B Straight thread	D diameter	
Assembly (see note 4)	Body				Basic inches (mm)	Tolerance inches (mm)
A2	B2	.1250 (3.175)	1/8 - 27	.3125-24 UNF-2A	.062 (1.57)	±.003 (0.08)
A3	B3	.1875 (4.763)	1/8 - 27	.3750-24 UNF-2A	.125 (3.18)	
A4	B4	.2500 (6.350)	1/8 - 27	.4375-20 UNF-2A	.172 (4.37)	
A4-4	B4-4	.2500 (6.350)	1/8 - 27	.4375-20 UNF-2A	.172 (4.37)	
A5	B5	.3125 (7.936)	1/8 - 27	.5000-20 UNF-2A	.234 (5.94)	
A5-4	B5-4	.3125 (7.936)	1/4 - 18	.5000-20 UNF-2A	.234 (5.94)	±.004 (0.10)
A6-2	B6-2	.3750 (9.525)	1/8 - 27	.5625-18 UNF-2A	.297 (7.54)	
A6	B6	.3750 (9.525)	1/4 - 18	.5625-18 UNF-2A	.297 (7.54)	
A6-6	B6-6	.3750 (9.525)	3/8 - 18	.5625-18 UNF-2A	.297 (7.54)	
A6-8	B6-8	.3750 (9.525)	1/2 - 14	.5625-18 UNF-2A	.297 (7.54)	
A8-4	B8-4	.5000 (12.700)	1/4 - 18	.7500-16 UNF-2A	.391 (9.93)	
A8	B8	.5000 (12.700)	3/8 - 18	.7500-16 UNF-2A	.391 (9.93)	
A8-8	B8-8	.5000 (12.700)	1/2 - 14	.7500-16 UNF-2A	.391 (9.93)	
A8-12	B8-12	.5000 (12.700)	3/4 - 14	.7500-16 UNF-2A	.391 (9.93)	
A10-6	B10-6	.6250 (15.875)	3/8 - 18	.8750-14 UNF-2A	.484 (12.29)	
A10	B10	.6250 (15.875)	1/2 - 14	.8750-14 UNF-2A	.484 (12.29)	
A12-8	B12-8	.7500 (19.050)	1/2 - 14	1.0625-12 UN-2A	.609 (15.47)	
A12	B12	.7500 (19.050)	3/4 - 14	1.0625-12 UN-2A	.609 (15.47)	
A14	B14	.8750 (22.225)	3/4 - 14	1.1875-12 UN-2A	.718 (18.24)	
A16-12	B16-12	1.0000 (25.400)	3/4 - 14	1.3125-12 UN-2A	.844 (21.44)	+ .007 - .005 (+0.18 - 0.13)
A16	B16	1.0000 (25.400)	1 - 11½	1.3125-12 UN-2A	.844 (21.44)	+ .008 - .005 (+0.20 - 0.13)
A20	B20	1.2500 (31.750)	1 1/4 - 11 1/2	1.6250-12 UN-2A	1.078 (27.38)	
A24	B24	1.5000 (38.100)	1 1/2 - 11 1/2	1.8750-12 UN-2A	1.312 (33.32)	+ .010 - .005 (+0.25 - 0.13)
A32	B32	2.0000 (50.800)	2 - 11 1/2	2.500-12 UN-2A	1.781 (45.24)	

FIGURE 1. Elbow, pipe to tube 45°. - Continued.

MS51508B

Suffix designator		D ₁ Dia. drill inches (mm)	M ₂ inch (mm) ±.030 (0.76)	N ₂ inch (mm) .030 (0.76)
Assembly (see note 4)	Body			
A2	B2	.188 (4.78)	.660 (16.76)	.520 (13.21)
A3	B3	.188 (4.78)	.660 (16.76)	.520 (13.21)
A4	B4	.188 (4.78)	.720 (18.29)	.640 (16.26)
A4-4	B4-4	.281 (7.14)	.820 (20.83)	.860 (21.84)
A5	B5	.188 (4.78)	.770 (19.56)	.640 (16.26)
A5-4	B5-4	.281 (7.14)	.820 (20.83)	.860 (21.84)
A6-2	B6-2	.188 (4.78)	.830 (21.08)	.670 (17.02)
A6	B6	.281 (7.14)	.830 (21.08)	.860 (21.84)
A6-6	B6-6	.406 (10.31)	.870 (22.10)	.950 (24.13)
A6-8	B6-8	.531 (13.49)	.880 (22.35)	1.170 (29.72)
A8-4	B8-4	.281 (7.14)	.980 (24.89)	.950 (24.13)
A8	B8	.406 (10.31)	.980 (24.89)	.950 (24.13)
A8-8	B8-8	.531 (13.49)	.990 (25.15)	1.170 (29.72)
A8-12	B8-12	.719 (18.26)	1.040 (26.42)	1.200 (30.48)
A10-6	B10-6	.406 (10.31)	1.110 (28.19)	.980 (24.89)
A10	B10	.531 (13.49)	1.110 (28.19)	1.170 (29.72)
A12-8	B12-8	.531 (13.49)	1.280 (32.51)	1.200 (30.48)
A12	B12	.719 (18.26)	1.280 (32.51)	1.200 (30.48)
A14	B14	.719 (18.26)	1.390 (35.31)	1.270 (32.26)
A16-12	B16-12	.719 (18.26)	1.470 (37.34)	1.290 (32.77)
A16	B16	.938 (23.83)	1.470 (37.34)	1.480 (37.59)
A20	B20	1.250 (31.75)	1.590 (40.39)	1.670 (42.42)
A24	B24	1.500 (38.10)	1.780 (45.21)	1.770 (44.96)
A32	B32	1.938 (49.23)	2.220 (56.39)	2.110 (53.59)

NOTES:

1. Dimensions are in inches.
2. Metric equivalents are given for information only.
3. Break all sharp edges and remove all burrs and slivers.
4. Assemblies are only furnished to this specification (body, nut, and sleeve). Bodies are not to be stocked stored or issued.
5. Dimensions and tolerances not shown shall be in accordance with SAE-J514 for 37° flared fittings.
6. The drawing is for identification purposes only and is not intended to restrict designs and shapes not dimensioned.

FIGURE 1. Elbow, pipe to tube 45°. - Continued.

MS51508B

REQUIREMENTS:

Fittings shall be as specified on figure 1 and in tables I and II.

Components of the assemblies shall be of the same material and finish.

Materials shall be in accordance with MIL-DTL-18866 and table I.

TABLE I. Materials.

Material	Form	Specification	Alloy
Carbon steel	Bar	SAE-J403	1110, 1120, 1140, 1213, 1215, or 12L14
	Forgings		
Chrome-molybdenum steel	Bars	SAE-AMS6370	4130
	Forgings	SAE-AMS6382	
		SAE-AMS6370	
Corrosion resistant steel	Bars and forgings	ASTM A276/A276M	304, 304L, 316, or 321
		ASTM A564/A564M	XM-12 (15-5 PH) UNS S15500 or 603 (17-4 PH) UNS S17400
		SAE-AMS5639	UNS S30400
		SAE-AMS5645	UNS S32100
		SAE-AMS5647	UNS S30403
		SAE-AMS5743	UNS S35500
	Bar	ASTM A582/A582M	UNS S30300
Nickel-copper alloy	Bar	ASTM B164 QQ-N-281	UNS N04400
High-chromium nickel alloy	Bar	ASTM B166	UNS N06690
	Forgings	ASTM B564	
Titanium <u>1/</u>	Bars	SAE-AMS4928	6Al-4V annealed
	Forgings		

1/ Titanium shall not be used in oxygen or potable water systems.

Finish. Finishes shall be as specified in table II. All platings shall be capable of meeting a minimum of 96 hours salt spray test in accordance with ASTM B117. The fittings shall show no evidence of corrosion after 96 hours of salt spray. Fluid passages, other openings and internal threads shall not be subject to the plating thickness requirement and may have bare areas provided they are protected with a light film of oil.

MS51508B

TABLE II. Material and finish identification codes.

PIN code material/plating finish	Material	Plating finish
Blank	Steel	Cadmium plating in accordance with SAE-AMS-C-81562, type II, class 3 or SAE-AMS-QQ-P-416, type II, class 2. <u>1/</u>
CN		Cadmium plating in accordance with SAE-AMS-C-81562, type II, class 3 or SAE-AMS-QQ-P-416, type II, class 2 with NAVAIR trivalent chromium pretreatment (TCP) in accordance with MIL-DTL-81706, type II, class 1A. <u>1/</u>
E		NAVAIR TCP in accordance with MIL-DTL-81706, type II, class 1A.
F	Steel	Zinc plate (finish J, P, or R) with NAVAIR TCP in accordance with MIL-DTL-81706, type II, class 1A.
H	Steel	Zinc/Aluminum in accordance with ASTM F1136/F1136M, grade 3, NC.
J	Steel	Zinc-nickel in accordance with SAE-AMS2417, type 2, grade B.
M	Nickel-copper alloy UNS N04400	No additional finish.
N	High-chromium nickel alloy UNS N06690	No additional finish.
P	Steel	Zinc phosphate finish in accordance MIL-DTL-16232 type Z, class1.
R	Steel	Zinc plating in accordance with ASTM B633; type VI, Fe/Zn 5. <u>2/</u>
S	Corrosion resistant steel	No additional finish. Passivation in accordance with SAE-AMS2700, method 1, type 6 or 7.
T	Titanium	Anodize in accordance with SAE-AMS2488 type 2.
TF	Titanium	Fluoride phosphate in accordance with SAE-AMS2486. <u>3/</u>
Z	Steel	Zinc plating in accordance with ASTM B633; type II or III, Fe/Zn 5, or ASTM B695, type II, class 5. <u>4/</u>
ZN	Steel	Zinc plating in accordance with ASTM B633; type II or III, Fe/Zn 5, or ASTM B695, type II, class 5 with NAVAIR TCP in accordance with MIL-DTL-81706, type II, class 1A. <u>4/</u>

1/ Embrittlement test need not be run. Cadmium shall not be used in oxygen or potable water systems.

2/ Hexavalent chromium free.

3/ A pretreatment, a modification of the fluoride treatment, or a post treatment shall be applied so the final color of the fittings shall be similar to FED-STD-595 colors 36076 through 36293.

4/ Not for use in aircraft.

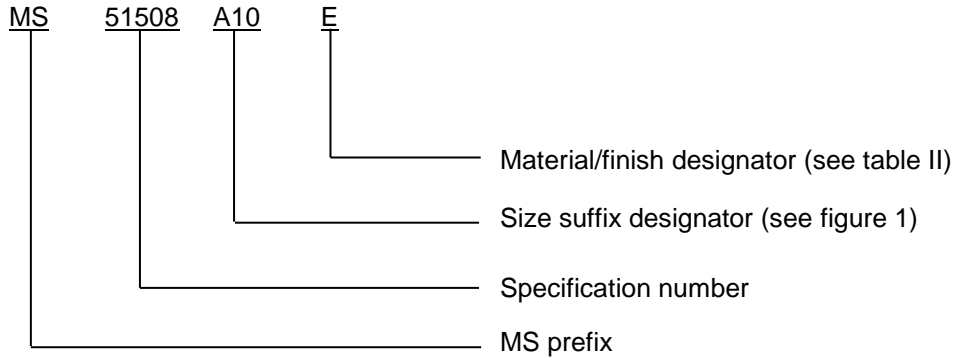
Trivalent wrenchability. When the finish has been damaged due to poor wrenchability, the surface of the connector shall be touched up using the brush plating process below. The term "trivalent wrenchability" is used to evaluate the ability of the finish to withstand abrasion from an excessive amount of wrenching.

- a. Brush plating of hard chromium by electrodeposition shall be in accordance with SAE-AMS-2451/5.
- b. Brush plating of medium-hardness, low stress nickel by electrodeposition shall be in accordance with SAE-AMS-2451/9.
- c. Brush plating of NAVAIR TCP shall be in accordance with MIL-DTL-81706, type II, class 1A, material form 1 through 6, application method B. Example of a PIN: M817062A6B.

MS51508B

Maximum operating pressure. Maximum operating pressure shall be in accordance with SAE-J514.

PIN: The PIN consists of the letters "MS", the specification number, a letter and number for elbow size, and a letter for material finish designator.



PIN example: MS51508A10FA10E indicates an elbow 45°, pipe to tube, .6250 inch (15.875 mm), steel with NAVAIR TCP.

Cadmium is not recommended. To the users of this document, it is recommended that the use of carbon steel material with cadmium plating be used only when other materials and finishes specified in this document cannot meet performance requirements.

Order of precedence. Unless otherwise noted herein or in the contract, in the event of a conflict between the text of this document and the references cited herein, the text of this document takes precedence. Nothing in this document, however, supersedes applicable laws and regulations unless a specific exemption has been obtained.

Referenced documents shall be of the issue in effect on date of invitations for bid.

Table III provides a detailed cross-reference of inactive MS51508 PIN's and for new design SAE-J514 PIN's.

MS51508 parts have straight threads in accordance with ASME B1.1 the SAE parts have straight threads in accordance with SAE-J425.

Users are cautioned to evaluate replacement parts for their particular application.

CAUTION: The superseding information is valid as of the date of this specification and may be superseded by subsequent revisions of the superseding document.

MS51508B

TABLE III. MS51508 to SAE-J514 cross reference.

Inactive for new design MS51508- PIN		Tube OD	Pipe thread NPTF	For new design SAE-J514 PIN	
Assembly	Body			Assembly	Body
MS51508A2	MS51508B2	1/8	1/8	Not available	Not available
MS51508A2CN	MS51508B2CN	1/8	1/8	Not available	Not available
MS51508A2E	MS51508B2E	1/8	1/8	Not available	Not available
MS51508A2F	MS51508B2F	1/8	1/8	Not available	Not available
MS51508A2H	MS51508B2H	1/8	1/8	Not available	Not available
MS51508A2J	MS51508B2J	1/8	1/8	Not available	Not available
MS51508A2M	MS51508B2M	1/8	1/8	J514-2-2-070302MA	J514-2-20-70302MB
MS51508A2N	MS51508B2N	1/8	1/8	J514-2-2-070302NA	J514-2-20-70302NB
MS51508A2P	MS51508B2P	1/8	1/8	J514-2-2-070302PA	J514-2-20-70302PB
MS51508A2R	MS51508B2R	1/8	1/8	Not available	Not available
MS51508A2C	MS51508B2C	1/8	1/8	J514-2-2-070302CA	J514-2-20-70302CB
MS51508A2T	MS51508B2T	1/8	1/8	J514-2-2-070302TA	J514-2-20-70302TB
MS51508A2TF	MS51508B2TF	1/8	1/8	Not available	Not available
MS51508A2Z	MS51508B2Z	1/8	1/8	J514-2-2-070302ZA	J514-2-20-70302ZB
MS51508A2ZM	MS51508B2ZN	1/8	1/8	Not available	Not available
MS51508A3	MS51508B3	3/16	1/8	Not available	Not available
MS51508A3CN	MS51508B3CN	3/16	1/8	Not available	Not available
MS51508A3E	MS51508B3E	3/16	1/8	Not available	Not available
MS51508A3F	MS51508B3F	3/16	1/8	Not available	Not available
MS51508A3H	MS51508B3H	3/16	1/8	Not available	Not available
MS51508A3J	MS51508B3J	3/16	1/8	Not available	Not available
MS51508A3M	MS51508B3M	3/16	1/8	J514-3-2-070302MA	J514-3-20-70302MB
MS51508A3N	MS51508B3N	3/16	1/8	J514-3-2-070302NA	J514-3-20-70302NB
MS51508A3P	MS51508B3P	3/16	1/8	J514-3-2-070302PA	J514-3-20-70302PB
MS51508A3R	MS51508B3R	3/16	1/8	Not available	Not available
MS51508A3S	MS51508B3S	3/16	1/8	J514-3-2-070302SA	J514-3-20-70302SB
MS51508A3T	MS51508B3T	3/16	1/8	J514-3-2-070302TA	J514-3-20-70302TB
MS51508A3TF	MS51508B3TF	3/16	1/8	Not available	Not available
MS51508A3Z	MS51508B3Z	3/16	1/8	J514-3-2-070302ZA	J514-3-20-70302ZB
MS51508A3ZN	MS51508B3ZN	3/16	1/8	Not available	Not available
MS51508A4	MS51508B4	1/4	1/8	Not available	Not available
MS51508A4CN	MS51508B4CN	1/4	1/8	Not available	Not available
MS51508A4E	MS51508B4E	1/4	1/8	Not available	Not available
MS51508A4F	MS51508B4F	1/4	1/8	Not available	Not available
MS51508A4H	MS51508B4H	1/4	1/8	Not available	Not available
MS51508A4J	MS51508B4J	1/4	1/8	Not available	Not available
MS51508A4M	MS51508B4M	1/4	1/8	J514-4-2-070302MA	J514-4-20-70302MB
MS51508A4N	MS51508B4N	1/4	1/8	J514-4-2-070302NA	J514-4-20-70302NB
MS51508A4P	MS51508B4P	1/4	1/8	J514-4-2-070302PA	J514-4-20-70302PB
MS51508A4R	MS51508B4R	1/4	1/8	Not available	Not available
MS51508A4S	MS51508B4S	1/4	1/8	J514-4-2-070302SA	J514-4-20-70302SB
MS51508A4T	MS51508B4T	1/4	1/8	J514-4-2-070302TA	J514-4-20-70302TB
MS51508A4TF	MS51508B4TF	1/4	1/8	Not available	Not available
MS51508A4Z	MS51508B4Z	1/4	1/8	J514-4-2-070302ZA	J514-4-20-70302ZB
MS51508A4ZN	MS51508B4ZN	1/4	1/8	Not available	Not available

MS51508B

TABLE III. MS51508 to SAE-J514 cross reference - Continued.

Inactive for new design MS51508- PIN		Tube OD	Pipe thread NPTF	For new design SAE-J514 PIN	
Assembly	Body			Assembly	Body
MS51508A5	MS51508B5	5/16	1/8	Not available	Not available
MS51508A5CN	MS51508B5CN	5/16	1/8	Not available	Not available
MS51508A5E	MS51508B5E	5/16	1/8	Not available	Not available
MS51508A5F	MS51508B5F	5/16	1/8	Not available	Not available
MS51508A5H	MS51508B5H	5/16	1/8	Not available	Not available
MS51508A5J	MS51508B5J	5/16	1/8	Not available	Not available
MS51508A5M	MS51508B5M	5/16	1/8	J514-5-2-070302MA	J514-5-2-070302MB
MS51508A5N	MS51508B5N	5/16	1/8	J514-5-2-070302NA	J514-5-2-070302NB
MS51508A5P	MS51508B5P	5/16	1/8	J514-5-2-070302PA	J514-5-2-070302PB
MS51508A5R	MS51508B5R	5/16	1/8	Not available	Not available
MS51508A5S	MS51508B5S	5/16	1/8	J514-5-2-070302SA	J514-5-2-070302SB
MS51508A5T	MS51508B5T	5/16	1/8	J514-5-2-070302TA	J514-5-2-070302TB
MS51508A5TF	MS51508B5TF	5/16	1/8	Not available	Not available
MS51508A5Z	MS51508B5Z	5/16	1/8	J514-5-2-070302ZA	J514-5-2-070302ZB
MS51508A5ZN	MS51508B5ZN	5/16	1/8	Not available	Not available
MS51508A6	MS51508B6	3/8	1/4	Not available	Not available
MS51508A6CN	MS51508B6CN	3/8	1/4	Not available	Not available
MS51508A6E	MS51508B6E	3/8	1/4	Not available	Not available
MS51508A6F	MS51508B6F	3/8	1/4	Not available	Not available
MS51508A6H	MS51508B6H	3/8	1/4	Not available	Not available
MS51508A6J	MS51508B6J	3/8	1/4	Not available	Not available
MS51508A6M	MS51508B6M	3/8	1/4	J514-6-4-070302MA	J514-6-4-070302MB
MS51508A6N	MS51508B6N	3/8	1/4	J514-6-4-070302NA	J514-6-4-070302NB
MS51508A6P	MS51508B6P	3/8	1/4	J514-6-4-070302PA	J514-6-4-070302PB
MS51508A6R	MS51508B6R	3/8	1/4	Not available	Not available
MS51508A6S	MS51508B6S	3/8	1/4	J514-6-4-070302SA	J514-6-4-070302SB
MS51508A6T	MS51508B6T	3/8	1/4	J514-6-4-070302TA	J514-6-4-070302TB
MS51508A6TF	MS51508B6TF	3/8	1/4	Not available	Not available
MS51508A6Z	MS51508B6Z	3/8	1/4	J514-6-4-070302ZA	J514-6-4-070302ZB
MS51508A6ZN	MS51508B6ZN	3/8	1/4	Not available	Not available
MS51508A8	MS51508B8	1/2	3/8	Not available	Not available
MS51508A8CN	MS51508B8CN	1/2	3/8	Not available	Not available
MS51508A8E	MS51508B8E	1/2	3/8	Not available	Not available
MS51508A8F	MS51508B8F	1/2	3/8	Not available	Not available
MS51508A8H	MS51508B8H	1/2	3/8	Not available	Not available
MS51508A8J	MS51508B8J	1/2	3/8	Not available	Not available
MS51508A8M	MS51508B8M	1/2	3/8	J514-8-6-070302MA	J514-8-6-070302MB
MS51508A8N	MS51508B8N	1/2	3/8	J514-8-6-070302NA	J514-8-6-070302NB
MS51508A8P	MS51508B8P	1/2	3/8	J514-8-6-070302PA	J514-8-6-070302PB
MS51508A8R	MS51508B8R	1/2	3/8	Not available	Not available
MS51508A8CN	MS51508B8CN	1/2	3/8	Not available	Not available
MS51508A8T	MS51508B8T	1/2	3/8	J514-8-6-070302TA	J514-8-6-070302TB
MS51508A8TF	MS51508B8TF	1/2	3/8	Not available	Not available
MS51508A8Z	MS51508B8Z	1/2	3/8	J514-8-6-070302ZA	J514-8-6-070302ZB
MS51508A8ZN	MS51508B8ZN	1/2	3/8	Not available	Not available

MS51508B

TABLE III. MS51508 to SAE-J514 cross reference - Continued.

Inactive for new design MS51508- PIN		Tube OD	Pipe thread NPTF	For new design SAE-J514 PIN	
Assembly	Body			Assembly	Body
MS51508A10	MS51508B10	5/8	1/2	Not available	Not available
MS51508A10CN	MS51508B10CN	5/8	1/2	Not available	Not available
MS51508A10E	MS51508B10E	5/8	1/2	Not available	Not available
MS51508A10F	MS51508B10F	5/8	1/2	Not available	Not available
MS51508A10H	MS51508B10H	5/8	1/2	Not available	Not available
MS51508A10J	MS51508B10J	5/8	1/2	Not available	Not available
MS51508A10M	MS51508B10M	5/8	1/2	J514-10-8-070302MA	J514-10-8-070302MB
MS51508A10N	MS51508B10N	5/8	1/2	J514-10-8-070302NA	J514-10-8-070302NB
MS51508A10P	MS51508B10P	5/8	1/2	J514-10-8-070302PA	J514-10-8-070302PB
MS51508A10R	MS51508B10R	5/8	1/2	Not available	Not available
MS51508A10S	MS51508B10S	5/8	1/2	J514-10-8-070302SA	J514-10-8-070302SB
MS51508A10T	MS51508B10T	5/8	1/2	J514-10-8-070302TA	J514-10-8-070302TB
MS51508A10TF	MS51508B10TF	5/8	1/2	Not available	Not available
MS51508A10Z	MS51508B10Z	5/8	1/2	J514-10-8-070302ZA	J514-10-8-070302ZB
MS51508A10ZN	MS51508B10ZN	5/8	1/2	Not available	Not available
MS51508A12	MS51508B12	3/4	3/4	Not available	Not available
MS51508A12CN	MS51508B12CN	3/4	3/4	Not available	Not available
MS51508A12E	MS51508B12E	3/4	3/4	Not available	Not available
MS51508A12F	MS51508B12F	3/4	3/4	Not available	Not available
MS51508A12H	MS51508B12H	3/4	3/4	Not available	Not available
MS51508A12J	MS51508B12J	3/4	3/4	Not available	Not available
MS51508A12M	MS51508B12M	3/4	3/4	J514-12-12-070302MA	J514-12-12-070302MB
MS51508A12N	MS51508B12N	3/4	3/4	J514-12-12-070302NA	J514-12-12-070302NB
MS51508A12P	MS51508B12P	3/4	3/4	J514-12-12-070302PA	J514-12-12-070302PB
MS51508A12R	MS51508B12R	3/4	3/4	Not available	Not available
MS51508A12S	MS51508B12S	3/4	3/4	J514-12-12-070302SA	J514-12-12-070302SB
MS51508A12T	MS51508B12T	3/4	3/4	J514-12-12-070302TA	J514-12-12-070302TB
MS51508A12TF	MS51508B12TF	3/4	3/4	Not available	Not available
MS51508A12Z	MS51508B12Z	3/4	3/4	J514-12-12-070302ZA	J514-12-12-070302ZB
MS51508A12ZN	MS51508B12ZN	3/4	3/4	Not available	Not available
MS51508A14	MS51508B14	7/8	3/4	Not available	Not available
MS51508A14CN	MS51508B14CN	7/8	3/4	Not available	Not available
MS51508A14E	MS51508B14E	7/8	3/4	Not available	Not available
MS51508A14F	MS51508B14F	7/8	3/4	Not available	Not available
MS51508A14H	MS51508B14H	7/8	3/4	Not available	Not available
MS51508A14J	MS51508B14J	7/8	3/4	Not available	Not available
MS51508A14M	MS51508B14M	7/8	3/4	J514-14-12-070302MA	J514-14-12-070302MB
MS51508A14N	MS51508B14N	7/8	3/4	J514-14-12-070302NA	J514-14-12-070302NB
MS51508A14P	MS51508B14P	7/8	3/4	J514-14-12-070302PA	J514-14-12-070302PB
MS51508A14R	MS51508B14R	7/8	3/4	Not available	Not available
MS51508A14S	MS51508B14S	7/8	3/4	J514-14-12-070302SA	J514-14-12-070302SB
MS51508A14T	MS51508B14T	7/8	3/4	J514-14-12-070302TA	J514-14-12-070302TB
MS51508A14TF	MS51508B14TF	7/8	3/4	Not available	Not available
MS51508A14Z	MS51508B14Z	7/8	3/4	J514-14-12-070302ZA	J514-14-12-070302ZB
MS51508A14ZN	MS51508B14ZN	7/8	3/4	Not available	Not available

MS51508B

TABLE III. MS51508 to SAE-J514 cross reference - Continued.

Inactive for new design MS51508- PIN		Tube OD	Pipe thread NPTF	For new design SAE-J514 PIN	
Assembly	Body			Assembly	Body
MS51508A16	MS51508B16	1	1	Not available	Not available
MS51508A16CN	MS51508B16CN	1	1	Not available	Not available
MS51508A16E	MS51508B16E	1	1	Not available	Not available
MS51508A16F	MS51508B16F	1	1	Not available	Not available
MS51508A16H	MS51508B16H	1	1	Not available	Not available
MS51508A16J	MS51508B16J	1	1	Not available	Not available
MS51508A16M	MS51508B16M	1	1	J514-16-16-070302MA	J514-16-16-070302MB
MS51508A16N	MS51508B16N	1	1	J514-16-16-070302NA	J514-16-16-070302NB
MS51508A16P	MS51508B16P	1	1	J514-16-16-070302PA	J514-16-16-070302PB
MS51508A16R	MS51508B16R	1	1	Not available	Not available
MS51508A16S	MS51508B16S	1	1	J514-16-16-070302SA	J514-16-16-070302SB
MS51508A16T	MS51508B16T	1	1	J514-16-16-070302TA	J514-16-16-070302TB
MS51508A16TF	MS51508B16TF	1	1	Not available	Not available
MS51508A16Z	MS51508B16Z	1	1	J514-16-16-070302ZA	J514-16-16-070302ZB
MS51508A16ZN	MS51508B16ZN	1	1	Not available	Not available
MS51508A20	MS51508B20	1 1/4	1 1/4	Not available	Not available
MS51508A20CN	MS51508B20CN	1 1/4	1 1/4	Not available	Not available
MS51508A20E	MS51508B20E	1 1/4	1 1/4	Not available	Not available
MS51508A20F	MS51508B20F	1 1/4	1 1/4	Not available	Not available
MS51508A20H	MS51508B20H	1 1/4	1 1/4	Not available	Not available
MS51508A20J	MS51508B20J	1 1/4	1 1/4	Not available	Not available
MS51508A20M	MS51508B20M	1 1/4	1 1/4	J514-20-20-070302MA	J514-20-20-070302MB
MS51508A20N	MS51508B20N	1 1/4	1 1/4	J514-20-20-070302NA	J514-20-20-070302NB
MS51508A20P	MS51508B20P	1 1/4	1 1/4	J514-20-20-070302PA	J514-20-20-070302PB
MS51508A20R	MS51508B20R	1 1/4	1 1/4	Not available	Not available
MS51508A20S	MS51508B20S	1 1/4	1 1/4	J514-20-20-070302SA	J514-20-20-070302SB
MS51508A20T	MS51508B20T	1 1/4	1 1/4	J514-20-20-070302TA	J514-20-20-070302TB
MS51508A20TF	MS51508B20TF	1 1/4	1 1/4	Not available	Not available
MS51508A20Z	MS51508B20Z	1 1/4	1 1/4	J514-20-20-070302ZA	J514-20-20-070302ZB
MS51508A20ZN	MS51508B20ZN	1 1/4	1 1/4	Not available	Not available
MS51508A24	MS51508B24	1 1/2	1 1/2	Not available	Not available
MS51508A24CN	MS51508B24CN	1 1/2	1 1/2	Not available	Not available
MS51508A24E	MS51508B24E	1 1/2	1 1/2	Not available	Not available
MS51508A24F	MS51508B24F	1 1/2	1 1/2	Not available	Not available
MS51508A24H	MS51508B24H	1 1/2	1 1/2	Not available	Not available
MS51508A24J	MS51508B24K	1 1/2	1 1/2	Not available	Not available
MS51508A24M	MS51508B24M	1 1/2	1 1/2	J514-24-24-070302MA	J514-24-24-070302MB
MS51508A24N	MS51508B24N	1 1/2	1 1/2	J514-24-24-070302NA	J514-24-24-070302NB
MS51508A24P	MS51508B24P	1 1/2	1 1/2	J514-24-24-070302PA	J514-24-24-070302PB
MS51508A24R	MS51508B24R	1 1/2	1 1/2	Not available	Not available
MS51508A24S	MS51508B24S	1 1/2	1 1/2	J514-24-24-070302SA	J514-24-24-070302SB
MS51508A24T	MS51508B24T	1 1/2	1 1/2	J514-24-24-070302TA	J514-24-24-070302TB
MS51508A24TF	MS51508B24TF	1 1/2	1 1/2	Not available	Not available
MS51508A24Z	MS51508B24Z	1 1/2	1 1/2	J514-24-24-070302ZA	J514-24-24-070302ZB
MS51508A24ZN	MS51508B24ZN	1 1/2	1 1/2	Not available	Not available

MS51508B

TABLE III. MS51508 to SAE-J514 cross reference - Continued.

Inactive for new design MS51508- PIN		Tube OD	Pipe thread NPTF	For new design SAE-J514 PIN	
Assembly	Body			Assembly	Body
MS51508A32	MS51508B32	2	2	Not available	Not available
MS51508A32CN	MS51508B32CN	2	2	Not available	Not available
MS51508A32E	MS51508B32E	2	2	Not available	Not available
MS51508A32F	MS51508B32F	2	2	Not available	Not available
MS51508A32H	MS51508B32H	2	2	Not available	Not available
MS51508A32J	MS51508B32J	2	2	Not available	Not available
MS51508A32M	MS51508B32M	2	2	J514-32-32-070302MA	J514-32-32-070302MB
MS51508A32N	MS51508B32N	2	2	J514-32-32-070302NA	J514-32-32-070302NB
MS51508A32P	MS51508B32P	2	2	J514-32-32-070302PA	J514-32-32-070302PB
MS51508A32R	MS51508B32R	2	2	Not available	Not available
MS51508A32S	MS51508B32S	2	2	J514-32-32-070302SA	J514-32-32-070302SB
MS51508A32T	MS51508B32T	2	2	J514-32-32-070302TA	J514-32-32-070302TB
MS51508A32TF	MS51508B32TF	2	2	Not available	Not available
MS51508A32Z	MS51508B32Z	2	2	J514-32-32-070302ZA	J514-32-32-070302ZB
MS51508A32ZN	MS51508B32ZN	2	2	Not available	Not available
MS51508A4-4	MS51508B4-4	1/4	1/4	Not available	Not available
MS51508A4-4CN	MS51508B4-4CN	1/4	1/4	Not available	Not available
MS51508A4-4E	MS51508B4-4E	1/4	1/4	Not available	Not available
MS51508A4-4F	MS51508B4-4F	1/4	1/4	Not available	Not available
MS51508A4-4H	MS51508B4-4H	1/4	1/4	Not available	Not available
MS51508A4-4J	MS51508B4-4J	1/4	1/4	Not available	Not available
MS51508A4-4M	MS51508B4-4M	1/4	1/4	J514-4-4-070302MA	J514-4-4-070302MB
MS51508A4-4N	MS51508B4-4N	1/4	1/4	J514-4-4-070302NA	J514-4-4-070302NB
MS51508A4-4P	MS51508B4-4P	1/4	1/4	J5144-4-070302PA	J514-4-4-070302PB
MS51508A4-4R	MS51508B4-4R	1/4	1/4	Not available	Not available
MS51508A4-4S	MS51508B4-4S	1/4	1/4	J5144-4-070302SA	J514-4-4-070302SB
MS51508A4-4T	MS51508B4-4T	1/4	1/4	J514-4-4-070302TA	J514-4-4-070302TB
MS51508A4-4TF	MS51508B4-4TF	1/4	1/4	Not available	Not available
MS51508A4-4Z	MS51508B4-4Z	1/4	1/4	J514-4-4-070302ZA	J514-4-4-070302ZB
MS51508A4-4ZN	MS51508B4-4ZN	1/4	1/4	Not available	Not available
MS51508A5-4	MS51508B5-4	5/16	1/4	Not available	Not available
MS51508A5-4CN	MS51508B5-4CN	5/16	1/4	Not available	Not available
MS51508A5-4E	MS51508B5-4E	5/16	1/4	Not available	Not available
MS51508A5-4F	MS51508B5-4F	5/16	1/4	Not available	Not available
MS51508A5-4H	MS51508B5-4H	5/16	1/4	Not available	Not available
MS51508A5-4J	MS51508B5-4J	5/16	1/4	Not available	Not available
MS51508A5-4M	MS51508B5-4M	5/16	1/4	J514-5-4-070302MA	J514-5-4-070302MB
MS51508A5-4N	MS51508B5-4N	5/16	1/4	J514-5-4-070302NA	J514-5-4-070302NB
MS51508A5-4P	MS51508B5-4P	5/16	1/4	J514-5-4-070302PA	J514-5-4-070302PB
MS51508A5-4R	MS51508B5-4R	5/16	1/4	Not available	Not available
MS51508A5-4S	MS51508B5-4S	5/16	1/4	J514-5-4-070302SA	J514-5-4-070302SB
MS51508A5-4T	MS51508B5-4T	5/16	1/4	J514-5-4-070302TA	J514-5-4-070302TB
MS51508A5-4TF	MS51508B5-4TF	5/16	1/4	Not available	Not available
MS51508A5-4Z	MS51508B5-4Z	5/16	1/4	J514-5-4-070302ZA	J514-5-4-070302ZB
MS51508A5-4ZN	MS51508B5-4ZN	5/16	1/4	Not available	Not available

MS51508B

TABLE III. MS51508 to SAE-J514 cross reference - Continued.

Inactive for new design MS51508- PIN		Tube OD	Pipe thread NPTF	For new design SAE-J514 PIN	
Assembly	Body			Assembly	Body
MS51508A6-2	MS51508B6-2	3/8	1/8	Not available	Not available
MS51508A6-2CN	MS51508B6-2CN	3/8	1/8	Not available	Not available
MS51508A6-2E	MS51508B6-2E	3/8	1/8	Not available	Not available
MS51508A6-2F	MS51508B6-2F	3/8	1/8	Not available	Not available
MS51508A6-2H	MS51508B6-2H	3/8	1/8	Not available	Not available
MS51508A6-2J	MS51508B6-2J	3/8	1/8	Not available	Not available
MS51508A6-2M	MS51508B6-2M	3/8	1/8	J514-6-2-070302MA	J514-6-2-070302MB
MS51508A6-2N	MS51508B6-2N	3/8	1/8	J514-6-2-070302NA	J514-6-2-070302NB
MS51508A6-2P	MS51508B6-2P	3/8	1/8	J514-6-2-070302PA	J514-6-2-070302PB
MS51508A6-2R	MS51508B6-2R	3/8	1/8	Not available	Not available
MS51508A6-2S	MS51508B6-2S	3/8	1/8	J514-6-2-070302SA	J514-6-2-070302SB
MS51508A6-2T	MS51508B6-2T	3/8	1/8	J514-6-2-070302TA	J514-6-2-070302TB
MS51508A6-2TF	MS51508B6-2TF	3/8	1/8	Not available	Not available
MS51508A6-2Z	MS51508B6-2Z	3/8	1/8	J514-6-2-070302ZA	J514-6-2-070302ZB
MS51508A6-2ZN	MS51508B6-2ZN	3/8	1/8	Not available	Not available
MS51508A6-6	MS51508B6-6	3/8	3/8	Not available	Not available
MS51508A6-6CN	MS51508B6-6CN	3/8	3/8	Not available	Not available
MS51508A6-6E	MS51508B6-6E	3/8	3/8	Not available	Not available
MS51508A6-6F	MS51508B6-6F	3/8	3/8	Not available	Not available
MS51508A6-6H	MS51508B6-6H	3/8	3/8	Not available	Not available
MS51508A6-6J	MS51508B6-6J	3/8	3/8	Not available	Not available
MS51508A6-6M	MS51508B6-6M	3/8	3/8	J514-6-6-070302MA	J514-6-6-070302MB
MS51508A6-6N	MS51508B6-6N	3/8	3/8	J514-6-6-070302NA	J514-6-6-070302NB
MS51508A6-6P	MS51508B6-6P	3/8	3/8	J514-6-6-070302PA	J514-6-6-070302PB
MS51508A6-6R	MS51508B6-6R	3/8	3/8	Not available	Not available
MS51508A6-6S	MS51508B6-6S	3/8	3/8	J514-6-6-070302SA	J514-6-6-070302SB
MS51508A6-6T	MS51508B6-6T	3/8	3/8	J514-6-6-070302TA	J514-6-6-070302TB
MS51508A6-6TF	MS51508B6-6TF	3/8	3/8	Not available	Not available
MS51508A6-6Z	MS51508B6-6Z	3/8	3/8	J514-6-6-070302ZA	J514-6-6-070302ZB
MS51508A6-6ZN	MS51508B6-6ZN	3/8	3/8	Not available	Not available
MS51508A6-8	MS51508B6-8	3/8	1/2	Not available	Not available
MS51508A6-8CN	MS51508B6-8CN	3/8	1/2	Not available	Not available
MS51508A6-8E	MS51508B6-8E	3/8	1/2	Not available	Not available
MS51508A6-8F	MS51508B6-8F	3/8	1/2	Not available	Not available
MS51508A6-8H	MS51508B6-8H	3/8	1/2	Not available	Not available
MS51508A6-8J	MS51508B6-8J	3/8	1/2	Not available	Not available
MS51508A6-8M	MS51508B6-8M	3/8	1/2	J514-6-8-070302MA	J514-6-8-070302MB
MS51508A6-8N	MS51508B6-8N	3/8	1/2	J514-6-8-070302NA	J514-6-8-070302NB
MS51508A6-8P	MS51508B6-8P	3/8	1/2	J514-6-8-070302PA	J514-6-8-070302PB
MS51508A6-8R	MS51508B6-8R	3/8	1/2	Not available	Not available
MS51508A6-8S	MS51508B6-8S	3/8	1/2	J514-6-8-070302SA	J514-6-8-070302SB
MS51508A6-8T	MS51508B6-8T	3/8	1/2	J514-6-8-070302TA	J514-6-8-070302TB
MS51508A6-8TF	MS51508B6-8TF	3/8	1/2	Not available	Not available
MS51508A6-8Z	MS51508B6-8Z	3/8	1/2	J514-6-8-070302ZA	J514-6-8-070302ZB
MS51508A6-8ZN	MS51508B6-8ZN	3/8	1/2	Not available	Not available

MS51508B

TABLE III. MS51508 to SAE-J514 cross reference - Continued.

Inactive for new design MS51508- PIN		Tube OD	Pipe thread NPTF	For new design SAE-J514 PIN	
Assembly	Body			Assembly	Body
MS51508A8-4	MS51508B8-4	1/2	1/4	Not available	Not available
MS51508A8-4CN	MS51508B8-4CN	1/2	1/4	Not available	Not available
MS51508A8-4E	MS51508B8-4E	1/2	1/4	Not available	Not available
MS51508A8-4F	MS51508B8-4F	1/2	1/4	Not available	Not available
MS51508A8-4H	MS51508B8-4H	1/2	1/4	Not available	Not available
MS51508A8-4J	MS51508B8-4J	1/2	1/4	Not available	Not available
MS51508A8-4M	MS51508B8-4M	1/2	1/4	J514-8-4-070302MA	J514-8-4-070302MB
MS51508A8-4N	MS51508B8-4N	1/2	1/4	J514-8-4-070302NA	J514-8-4-070302NB
MS51508A8-4P	MS51508B8-4P	1/2	1/4	J514-8-4-070302PA	J514-8-4-070302PB
MS51508A8-4R	MS51508B8-4R	1/2	1/4	Not available	Not available
MS51508A8-4S	MS51508B8-4S	1/2	1/4	J514-8-4-070302SA	J514-8-4-070302SB
MS51508A8-4T	MS51508B8-4T	1/2	1/4	J514-8-4-070302TA	J514-8-4-070302TB
MS51508A8-4TF	MS51508B8-4TF	1/2	1/4	Not available	Not available
MS51508A8-4Z	MS51508B8-4Z	1/2	1/4	J514-8-4-070302ZA	J514-8-4-070302ZB
MS51508A8-4ZN	MS51508B8-4ZN	1/2	1/4	Not available	Not available
MS51508A8-8	MS51508B8-8	1/2	1/2	Not available	Not available
MS51508A8-8CN	MS51508B8-8CN	1/2	1/2	Not available	Not available
MS51508A8-8E	MS51508B8-8E	1/2	1/2	Not available	Not available
MS51508A8-8F	MS51508B8-8F	1/2	1/2	Not available	Not available
MS51508A8-8H	MS51508B8-8H	1/2	1/2	Not available	Not available
MS51508A8-8J	MS51508B8-8J	1/2	1/2	Not available	Not available
MS51508A8-8M	MS51508B8-8M	1/2	1/2	J514-8-8-070302MA	J514-8-8-070302MB
MS51508A8-8N	MS51508B8-8N	1/2	1/2	J514-8-8-070302NA	J514-8-8-070302NB
MS51508A8-8P	MS51508B8-8P	1/2	1/2	J514-8-8-070302PA	J514-8-8-070302PB
MS51508A8-8R	MS51508B8-8R	1/2	1/2	Not available	Not available
MS51508A8-8S	MS51508B8-8S	1/2	1/2	J514-8-8-070302SA	J514-8-8-070302SB
MS51508A8-8T	MS51508B8-8T	1/2	1/2	J514-8-8-070302TA	J514-8-8-070302TB
MS51508A8-8TF	MS51508B8-8TF	1/2	1/2	Not available	Not available
MS51508A8-8Z	MS51508B8-8Z	1/2	1/2	J514-8-8-070302ZA	J514-8-8-070302ZB
MS51508A8-8ZN	MS51508B8-8ZN	1/2	1/2	Not available	Not available
MS51508A8-12	MS51508B8-12	1/2	3/4	Not available	Not available
MS51508A8-12CN	MS51508B8-12CN	1/2	3/4	Not available	Not available
MS51508A8-12E	MS51508B8-12E	1/2	3/4	Not available	Not available
MS51508A8-12F	MS51508B8-12F	1/2	3/4	Not available	Not available
MS51508A8-12H	MS51508B8-12H	1/2	3/4	Not available	Not available
MS51508A8-12J	MS51508B8-12J	1/2	3/4	Not available	Not available
MS51508A8-12M	MS51508B8-12M	1/2	3/4	J514-8-12-070302MA	J514-8-12-070302MB
MS51508A8-12N	MS51508B8-12N	1/2	3/4	J514-8-12-070302NA	J514-8-12-070302NB
MS51508A8-12P	MS51508B8-12P	1/2	3/4	J514-8-12-070302PA	J514-8-12-070302PB
MS51508A8-12R	MS51508B8-12R	1/2	3/4	Not available	Not available
MS51508A8-12S	MS51508B8-12S	1/2	3/4	J514-8-12-070302SA	J514-8-12-070302SB
MS51508A8-12T	MS51508B8-12T	1/2	3/4	J514-8-12-070302TA	J514-8-12-070302TB
MS51508A8-12TF	MS51508B8-12TF	1/2	3/4	Not available	Not available
MS51508A8-12Z	MS51508B8-12Z	1/2	3/4	J514-8-12-070302ZA	J514-8-12-070302ZB
MS51508A8-12ZN	MS51508B8-12ZN	1/2	3/4	Not available	Not available

MS51508B

TABLE III. MS51508 to SAE-J514 cross reference - Continued.

Inactive for new design MS51508- PIN		Tube OD	Pipe thread NPTF	For new design SAE-J514 PIN	
Assembly	Body			Assembly	Body
MS51508A10-6	MS51508B10-6	5/8	3/8	Not available	Not available
MS51508A10-6CN	MS51508B10-6CN	5/8	3/8	Not available	Not available
MS51508A10-6E	MS51508B10-6E	5/8	3/8	Not available	Not available
MS51508A10-6F	MS51508B10-6F	5/8	3/8	Not available	Not available
MS51508A10-6H	MS51508B10-6H	5/8	3/8	Not available	Not available
MS51508A10-6J	MS51508B10-6J	5/8	3/8	Not available	Not available
MS51508A10-6M	MS51508B10-6M	5/8	3/8	J514-10-6-070302MA	J514-10-6-070302MB
MS51508A10-6N	MS51508B10-6N	5/8	3/8	J514-10-6-070302NA	J514-10-6-070302NB
MS51508A10-6P	MS51508B10-6P	5/8	3/8	J514-10-6-070302PA	J514-10-6-070302PB
MS51508A10-6R	MS51508B10-6R	5/8	3/8	Not available	Not available
MS51508A10-6S	MS51508B10-6S	5/8	3/8	J514-10-6-070302SA	J514-10-6-070302SB
MS51508A10-6T	MS51508B10-6T	5/8	3/8	J514-10-6-070302TA	J514-10-6-070302TB
MS51508A10-6TF	MS51508B10-6TF	5/8	3/8	Not available	Not available
MS51508A10-6Z	MS51508B10-6Z	5/8	3/8	J514-10-6-070302ZA	J514-10-6-070302ZB
MS51508A10-6ZN	MS51508B10-6ZN	5/8	3/8	Not available	Not available
MS51508A12-8	MS51508B12-8	3/4	1/2	Not available	Not available
MS51508A12-8CN	MS51508B12-8CN	3/4	1/2	Not available	Not available
MS51508A12-8E	MS51508B12-8E	3/4	1/2	Not available	Not available
MS51508A12-8F	MS51508B12-8F	3/4	1/2	Not available	Not available
MS51508A12-8H	MS51508B12-8H	3/4	1/2	Not available	Not available
MS51508A12-8J	MS51508B12-8J	3/4	1/2	Not available	Not available
MS51508A12-8M	MS51508B12-8M	3/4	1/2	J514-12-8-070302MA	J514-12-8-070302MB
MS51508A12-8N	MS51508B12-8N	3/4	1/2	J514-12-8-070302NA	J514-12-8-070302NB
MS51508A12-8P	MS51508B12-8P	3/4	1/2	J514-12-8-070302PA	J514-12-8-070302PB
MS51508A12-8R	MS51508B12-8R	3/4	1/2	Not available	Not available
MS51508A12-8S	MS51508B12-8S	3/4	1/2	J514-12-8-070302SA	J514-12-8-070302SB
MS51508A12-8T	MS51508B12-8T	3/4	1/2	J514-12-8-070302TA	J514-12-8-070302TB
MS51508A12-8TF	MS51508B12-8TF	3/4	1/2	Not available	Not available
MS51508A12-8Z	MS51508B12-8Z	3/4	1/2	J514-12-8-070302ZA	J514-12-8-070302ZB
MS51508A12-8ZN	MS51508B12-8ZN	3/4	1/2	Not available	Not available
MS51508A16-12	MS51508B16-12	1	3/4	Not available	Not available
MS51508A16-12CN	MS51508B16-12CN	1	3/4	Not available	Not available
MS51508A16-12E	MS51508B16-12E	1	3/4	Not available	Not available
MS51508A16-12F	MS51508B16-12F	1	3/4	Not available	Not available
MS51508A16-12G	MS51508B16-12H	1	3/4	Not available	Not available
MS51508A16-12J	MS51508B16-12J	1	3/4	Not available	Not available
MS51508A16-12M	MS51508B16-12M	1	3/4	J514-16-12-070302MA	J514-16-12-070302MB
MS51508A16-12N	MS51508B16-12N	1	3/4	J514-16-12-070302NA	J514-16-12-070302NB
MS51508A16-12P	MS51508B16-12P	1	3/4	J514-16-12-070302PA	J514-16-12-070302PB
MS51508A16-12R	MS51508B16-12R	1	3/4	Not available	Not available
MS51508A16-12S	MS51508B16-12S	1	3/4	J514-16-12-070302SA	J514-16-12-070302SB
MS51508A16-12T	MS51508B16-12T	1	3/4	J514-16-12-070302TA	J514-16-12-070302TB
MS51508A16-12TF	MS51508B16-12TF	1	3/4	Not available	Not available
MS51508A16-12Z	MS51508B16-12Z	1	3/4	J514-16-12-070302ZA	J514-16-12-070302ZB
MS51508A16-12ZN	MS51508B16-12ZN	1	3/4	Not available	Not available

Changes from previous issue. Marginal notations are not used in this revision to identify changes with respect to the previous issue, due to the extent of the changes.

MS51508B

Referenced documents. In addition to MIL-DTL-18866, this document references the following:

FED-STD-595/36076	FED-STD-595/36293	ASTM B564	SAE-AMS5639
FED-STD-595/36081	MIL-DTL-16232	ASTM B633	SAE-AMS5645
FED-STD-595/36099	MIL-DTL-81706	ASTM B695	SAE-AMS5647
FED-STD-595/36118	MS51507	ASTM F1136/F1136M	SAE-AMS5743
FED-STD-595/36134	MS51531	SAE-AMS-C-81562	SAE-AMS6370
FED-STD-595/36152	MS51533	SAE-AMS-QQ-P-416	SAE-AMS6382
FED-STD-595/36170	QQ-N-281	SAE-AMS2417	SAE-J403
FED-STD-595/36173	ASME B1.1	SAE-AMS2451/5	SAE-J425
FED-STD-595/36176	ASTM A276/A276M	SAE-AMS2451/9	SAE-J514
FED-STD-595/36231	ASTM A564/A564M	SAE-AMS2486	
FED-STD-595/36251	ASTM A582/A582M	SAE-AMS2488	
FED-STD-595/36270	ASTM B117	SAE-AMS2700	
FED-STD-595/36280	ASTM B164	SAE-AMS4928	
	ASTM B166		

CONCLUDING MATERIAL

Custodians:

Army - AR
Navy - OS
Air Force - 99
DLA - CC

Preparing activity:

DLA - CC

(Project 4730-2016-004)

Review activities:

Army - AT
Navy - MC
Air Force - 71

NOTE: The activities listed above were interested in this document as of the date of this document. Since organizations and responsibilities can change, you should verify the currency of the information above using the ASSIST Online database at <https://assist.dla.mil>.