

INCH-POUND
 MS51300F
 09 May 2011
 SUPERSEDING
 MS51300E(AT)
 13 June 1990

DETAIL SPECIFICATION SHEET

CAP, FUEL TANK: COMBAT VEHICLES, SPILL-PROOF

Inactive for new design after 22 January 1999.

This specification is approved for use by all Departments and Agencies of the Department of Defense.

The requirements for acquiring the product described herein shall consist of this specification sheet.

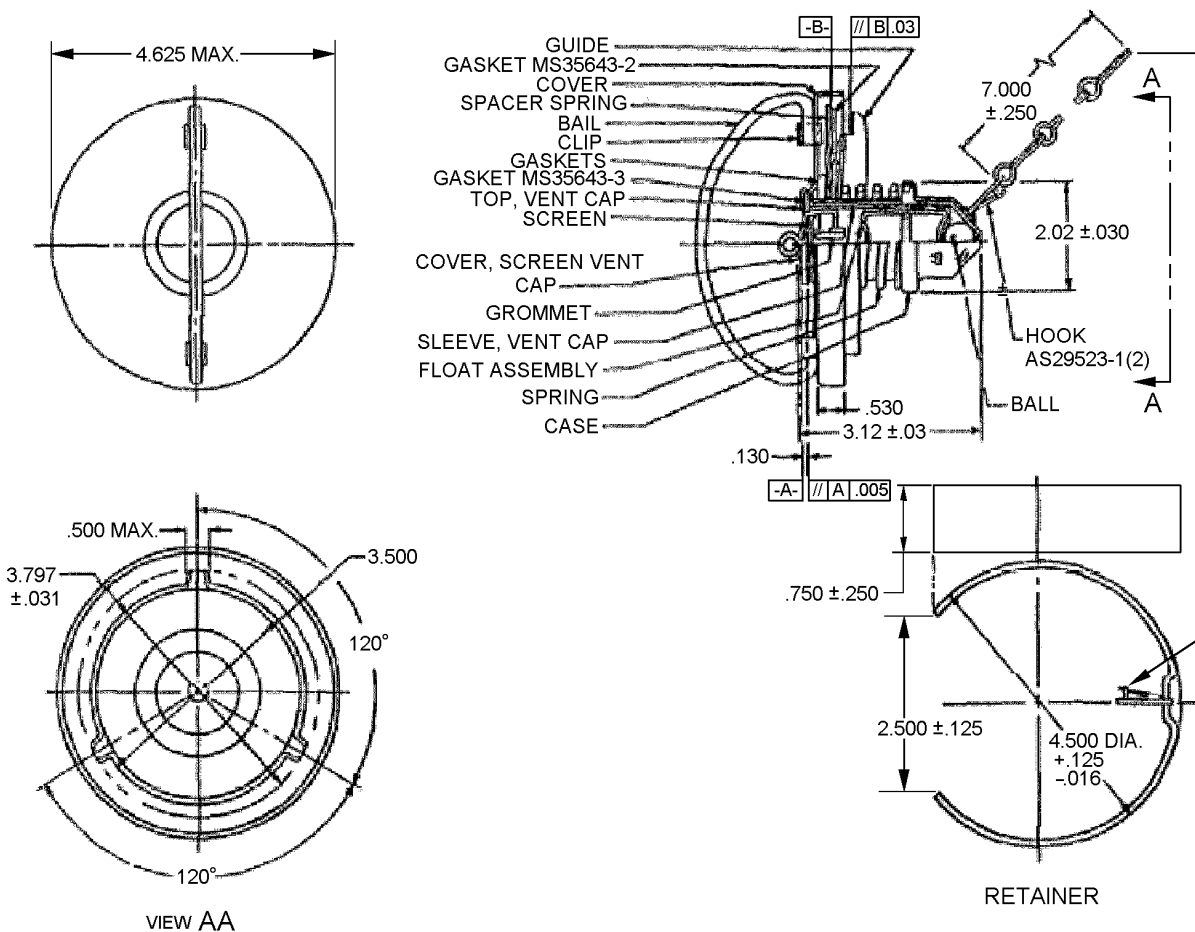


FIGURE 1. Cap, fuel tank: combat vehicle, spill-proof.

MS51300F

Inches	mm	Inches	mm	Inches	mm	Inches	mm
0.016	0.41	0.250	6.35	2.500	63.50	4.625	117.48
0.030	0.76	0.500	12.70	3.120	79.25	7.000	177.80
.0.031	0.79	0.530	13.46	3.500	88.90		
0.125	3.18	.0.750	19.05	3.797	96.444		
0.130	3.30	2.020	51.31	4.500	114.30		

NOTES:

1. Dimensions are in inches. Tolerances are $\pm .010$ on decimals, $\pm 1^\circ$ on angles.
2. Metric equivalents are given for information only.
3. All dimensions are "reference" dimensions.
4. For design feature purposes, this standard takes precedence over acquisition documents referenced herein.

FIGURE 1. Cap, fuel tank: combat vehicle, spill-proof – Continued.

REQUIREMENTS

This cap is of procurement specification MIL-C-45300, Type I.

This cap is to be used with necks shown on MS35644.

Material: Retainer: Steel 1065, 1074, or 1085 as specified in ASTM-A684/A684M. After forming, retainer shall be annealed and tempered to Rockwell 40-55 C.

The chain shall conform to RR-C-271, Type II, Class 6.

Protective coating: Interior parts shall be zinc plated as specified in ASTM-B633 Type VI, Fe/Zn 5. The cover and other exterior parts shall be phosphate coated as specified in MIL-DTL-16232, type Z (zinc phosphate base), Class I.

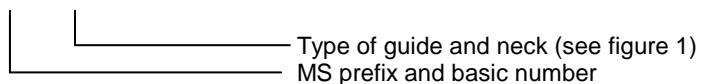
In the event of a conflict between the text of this standard and the references cited herein. The text of this standard shall take precedence.

This standard is not intended to limit construction to features other than shown herein by dimensions, notations and referenced documents.

Part or Identifying Number (PIN).

Example of a PIN: MS51300-1 (base number)

Example of a PIN: MS51300-1



Marking shall consist of the PIN and manufacturer's identification in accordance with MIL-STD-130.

Changes from previous issue. Marginal notations are not used in this revision to identify changes with respect to the previous issue due to the extent of the changes.

MS51300F

Referenced documents. This document references the following:

MIL-STD-130
MIL-C-45300
MIL-DTL-16232
MS35644
RR-C-271
ASTM-A684/A684M
ASTM-B633

CONCLUDING MATERIAL

Custodians:
Army – AT
Navy – MC
Air Force – 99
DLA – CC

Preparing activity:
DLA – CC

(Project 2910-2010-006)

Review activities:
Army – CR4
Navy – SA, YD
Air Force – 71

NOTE: The activities listed above were interested in this document as of the date of this document. Since organizations and responsibilities can change, you should verify the currency of the information above using the ASSIST Online database at <https://assist.daps.dla.mil>.