

INCH-POUND  
MS51092C  
15 August 2011  
SUPERSEDING  
MS51092B  
7 September 1971

DETAIL SPECIFICATION SHEET

WASHER, FLAT

This specification sheet is approved for use by all Departments and Agencies of the Department of Defense.

The requirements for acquiring the product described herein shall consist of this specification sheet.

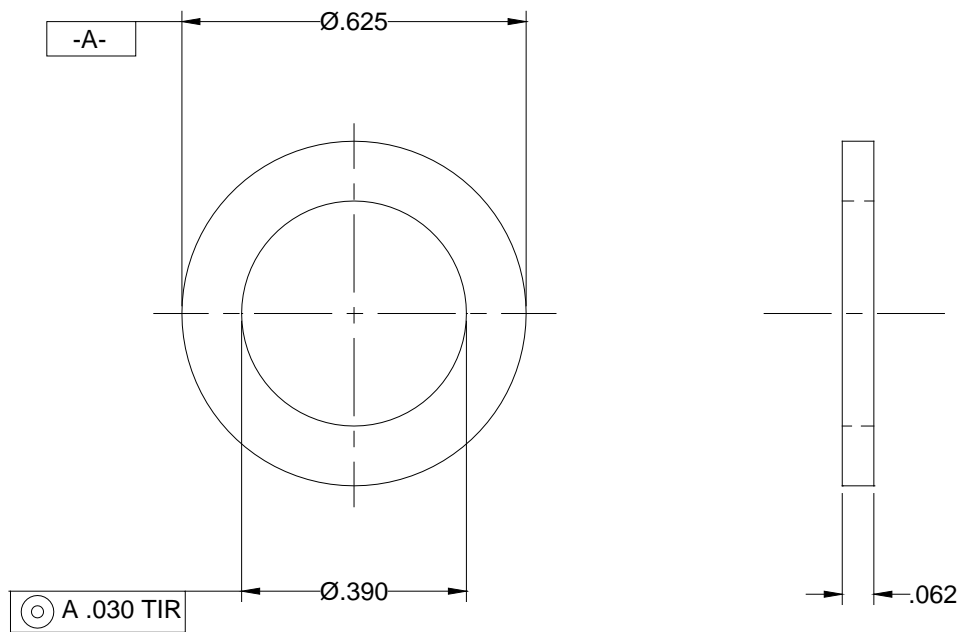


FIGURE 1. Washer, Flat.

MS51092C

NOTES:

1. Copper, specification ASTM B152/B152M, sheet, or strip, cold rolled annealed, 060 temper, Rockwell B-55 max
3. Unless otherwise specified, dimensions are in inches; tolerances  $\pm.010$  on decimals.
3. Marking shall consist of the MS part number and manufacturer's identification in accordance with MIL-STD-130.
4. For design feature purposes, this standard takes precedence over documents referenced herein.
5. Referenced documents shall be of the issue in effect on date of invitations for bid.
6. Changes from previous issue. Marginal notations are not used in this revision to identify changes with respect to the previous issue due to the extent of the changes.

MILITARY INTEREST

Custodians:  
Air Force – 99

Preparing activity:  
DLA - IS

(Project 5310-2011-010)

NOTE: The activities listed above were interested in this document as of the date of this document. Since organizations and responsibilities can change, you should verify the currency of the information above using the ASSIST Online database at <https://assist.daps.dla.mil>