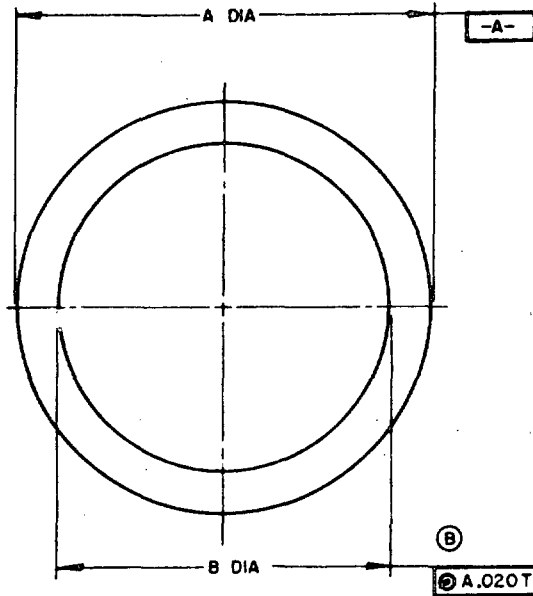


FED. SUP. CLASS
2910

REVIEW ACTIVITIES: ARMY—ME
USER ACTIVITIES: NAVY—YD, MC



MS PART NO.	FORMER ARMY PART NO.	DIA A	DIA B	WIDTH C
MS 51091-1	10866212	3246	3020	.117
		3294	3040	.133
MS 51091-2	10866213	1.111	.853	.151
		1.131	.863	.171
MS51091-3	10866214	.990	.480	.115
		1.010	.490	.135
MS51091-4	7744707	1.995	1.552	.052
		2.015	1.572	.072
MS51091-5	8329242	2.100	1.770	.050
		2.120	1.790	.070

NOTES:

1. MATERIAL: RUBBER, SYNTHETIC, GRADE SB 615 OR SB 715 A₁B₁E₅F₁, MIL-STD-417 AND MIL-R-3065.
2. FOR DESIGN FEATURE PURPOSES, THIS STANDARD TAKES PRECEDENCE OVER DOCUMENTS REFERENCED HEREIN.
3. REFERENCED DOCUMENTS SHALL BE OF THE ISSUE IN EFFECT ON DATE OF INVITATIONS FOR BID.
4. MARKING SHALL CONSIST OF THE MS PART NUMBER AND MANUFACTURER'S IDENTIFICATION IN ACCORDANCE WITH MIL-STD-129.

APPROVED 18 JULY 1958 REVISED (A) 23 AUG 1962 (B) 29 DECEMBER 1967

P. A. ARMY-AT Other Cust AF-82	MILITARY STANDARD GASKET: FILTER, FLUID, PRESSURE, AUTOMOTIVE FUEL	MS51091
PROCUREMENT SPECIFICATION NONE	SUPERSEDES:	SHEET OF