

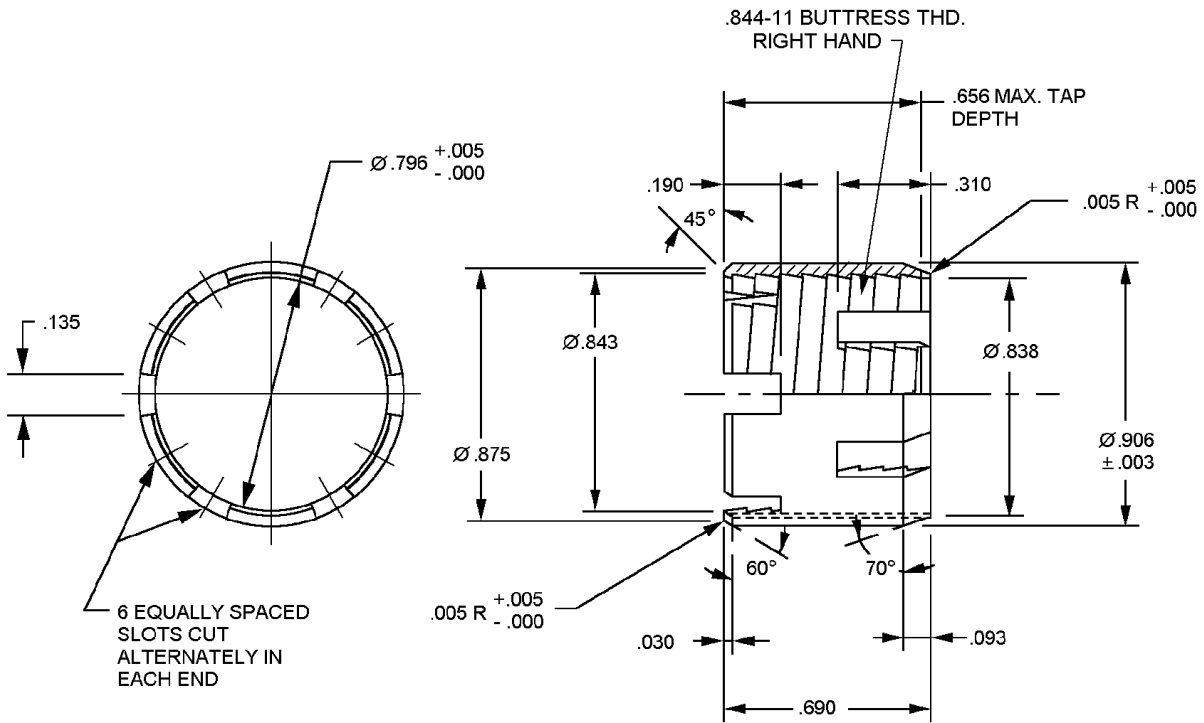
INCH-POUND  
 MS39136G  
 24 May 2010  
 SUPERSEDING  
 MS39136F  
 4 January 1999

DETAIL SPECIFICATION SHEET

SLEEVE COMPRESSION, TUBE-HOSE FITTING, AUTOMOTIVE  
 AIR BRAKE HOSE ADAPTER

This specification is approved for use by all Departments and Agencies of the Department of Defense.

The requirements for acquiring the product described herein shall consist of this specification sheet.



Inches	mm	Inches	mm	Inches	mm
0.003	0.076	0.190	4.826	0.838	21.285
0.005	0.127	0.310	7.874	0.843	21.412
0.030	0.762	0.656	16.662	0.875	22.225
0.093	2.362	0.690	17.526	0.906	23.012
0.135	3.429	0.796	20.218		

FIGURE 1. Compression sleeve.

MS39136G

NOTES:

1. All dimensions are in inches.
2. Metric equivalents are given for information only.
3. For design feature purposes, this document takes precedence over acquisition documents referenced herein.
4. In the event of a conflict between the text of this specification sheet and the references cited herein, the text of this specification sheet shall take precedence.

FIGURE 1. Compression sleeve – Continued.

REQUIREMENTS:

Sleeves shall be specified on figure 1.

The sleeves specified herein are a component of the adapter, straight pipe to hose, automotive air brake hose MS39133.

Materials shall conform to formed rod, tempered, half-hard brass as specified in ASTM-B16/B16M.

Finish shall be uncoated.

Tolerances for the compression sleeve, unless otherwise specified, are as follows:

XXX =  $\pm 0.005$   
XX =  $\pm 0.002$   
Angles  $\pm 2^\circ$

Buttress threads shall be in accordance with FED-STD-H28/14 and ANSI-B1.9.

Part or Identifying Number (PIN).

Example of a PIN: MS39136-1

Changes from previous issue. The margins of this specification are marked with vertical lines to indicate where changes from the previous issue were made. This was done as a convenience only and the Government assumes no liability whatsoever for any inaccuracies in these notations. Bidders and contractors are cautioned to evaluate the requirements of this document based on the entire content irrespective of the marginal notations and relationship to the last previous issue.

Referenced documents. This document references the following:

MS39133  
FED-STD-H28/14  
ANSI-B1.9  
ASTM-B16/B16M

MS39136G

CONCLUDING MATERIAL

Custodians:  
Army – AT  
Navy – SH  
Air Force – 99  
DLA – CC

Preparing activity:  
DLA - CC

(Project 4730-2010-062)

Review activities:  
Army – AR, EA  
Navy – MC, SA  
Air Force – 71

NOTE: The activities listed above were interested in this document as of the date of this document. Since organizations and responsibilities can change, you should verify the currency of the information above using the ASSIST Online database at <https://assist.daps.dla.mil>.