

INCH-POUND

MS39133F
4 January 1999
SUPERSEDING
MS39133E
15 May 1989

DETAIL SPECIFICATION SHEET

ADAPTER, STRAIGHT, PIPE TO HOSE-AUTOMOTIVE AIR BRAKE HOSE

This specification is approved for use by all Departments and Agencies of the Department of Defense.

The components for this product described herein shall consist of the items covered by MS39134, MS39135, MS39136, and MS39137.

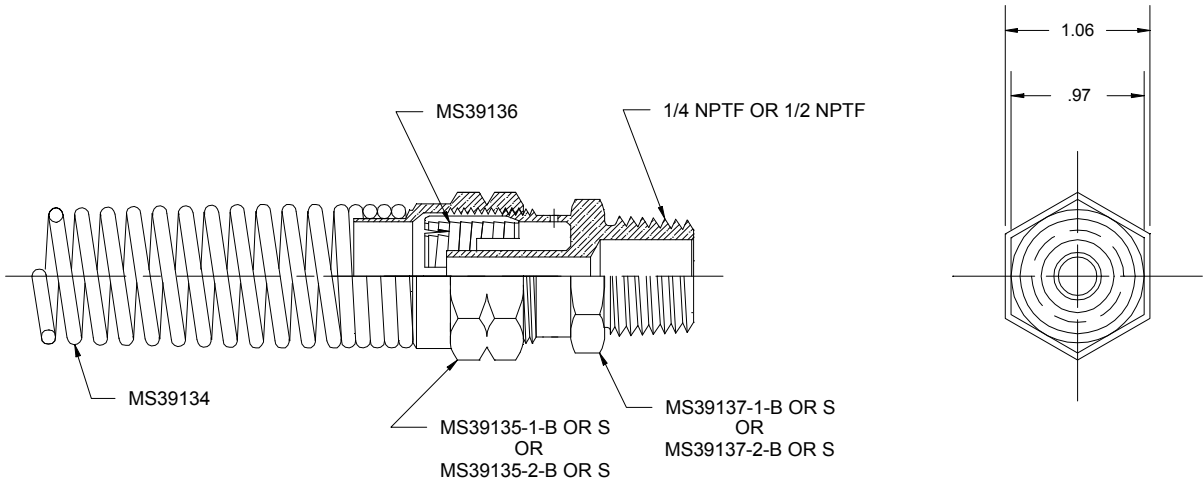


Figure 1. Adapter.

MS39133F

TABLE I. Adapter Dimensions and Materials.

MS dash no.	Pipe end (NPTF Short)	Material for MS39135 MS39136 MS39137
-1-B	1/4	Brass
-1-S		Steel
-2-B	1/2	Brass
-2-S		Steel

ALTERNATE DESIGN

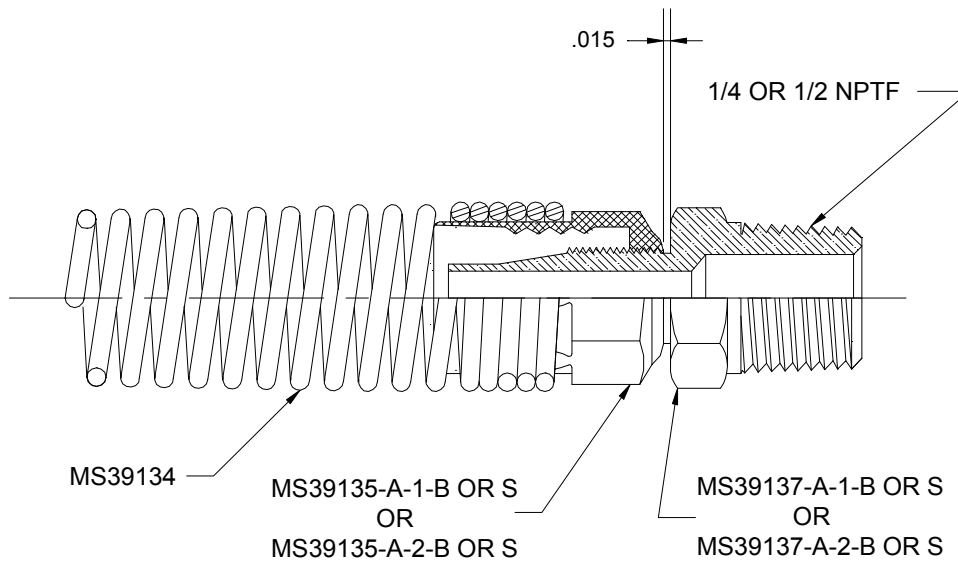


Figure 2. Alternate Design Adapter.

MS39133F

TABLE II. Alternate Design Adapter Dimensions and Materials.

MS dash no.	Pipe end (NPTF Short)	Material for MS39135-A MS39136-A MS39137-A
-A-1-B	1/4	Brass
-A-1-S		Steel
-A-2-B	1/2	Brass
-A-2-S		Steel

REQUIREMENTS:

1. Adapters shall be in accordance with figures 1 and 2 and tables I and II.
2. Materials shall conform to formed rod, tempered, half-hard brass as specified in ASTM B 16 and steel as specified in ASTM A 108.
3. Finishes for brass shall be uncoated and steel shall be zinc coated, thickness not less than 25µm, type II, as specified in ASTM B 633.

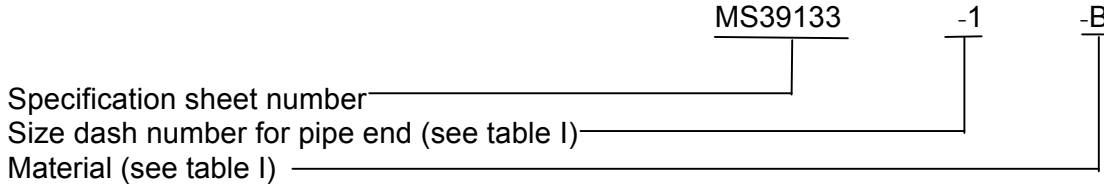
NOTES:

1. All dimensions are in inches, unless otherwise specified.
2. All dimensions are "reference" dimensions.
3. Referenced government documents of the issue listed in that issue of the Department of Defense Index of Specifications and Standards (DoDISS) specified in the solicitation form a part of this standard to the extent specified herein.
4. For design feature purposes, this standard takes precedence over acquisition documents referenced herein.
5. In the event of a conflict between the text of this specification sheet and the references cited herein, the text of this specification sheet shall take precedence.

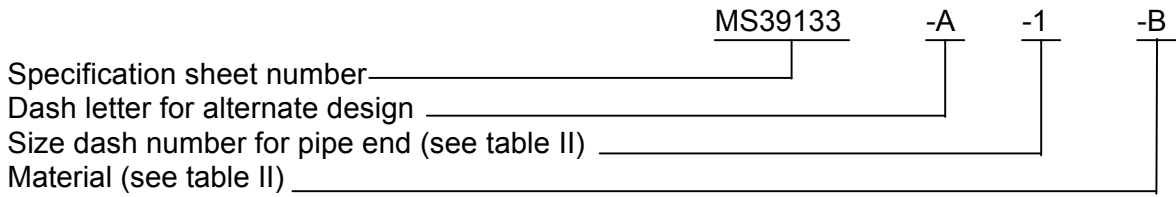
MS39133F

6. Part or Identifying Numbers (PINs).

Example of a military PIN: MS39133-1-B.



Example of a military PIN, alternate design : MS39133-A-1-B.



Custodians:
Air Force - 99
Army - AT

Preparing activity:
DLA - CC

(Project 4730-0715)

Review activities:
Air Force - 82
Army - AR, EA