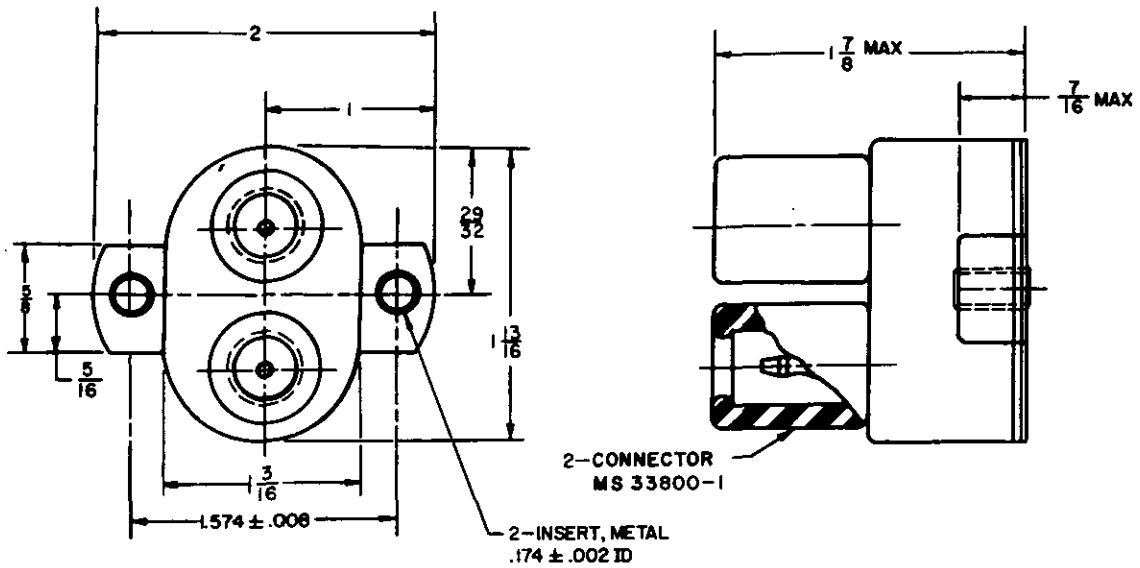


FED. SUP CLASS
5925



MS PART NO.	FIN	AMPERAGE RATING
39062 -1	026-4767	15
39062 -2		20
39062 -3	319-5978	25
39062 -4	333-1584	30

CANCELLED AFTER 18 JANUARY 1966

NO SUPERSEDING STANDARD

USE MILITARY SPECIFICATION SHEET MIL-C-13516/1

NOTES:

CLASSIFICATION:

1. TYPE II (AUTOMATIC RESET), GRADE A (WATERPROOF), CLASS I (0 TO 30 AMPERES RATING).

TOLERANCES:

2. UNLESS OTHERWISE SPECIFIED, DIMENSIONS ARE IN INCHES; TOLERANCES: ± 1/32 ON FRACTIONS; ± .010 ON DECIMALS.

GENERAL NOTES:

3. THE MS PART NUMBER, AMPERAGE RATING AND MANUFACTURERS IDENTIFICATION SHALL BE CLEARLY AND PERMANENTLY MARKED ON THE OUTSIDE OF THE PART AND BE VISIBLE AT ASSEMBLY WITHOUT INTERFERING WITH ITS FUNCTION.
4. REFERENCED DOCUMENTS SHALL BE OF THE ISSUE IN EFFECT ON DATE OF INVITATION FOR BID.
5. THIS STANDARD IS NOT INTENDED TO LIMIT CONSTRUCTION TO FEATURES OTHER THAN SHOWN HEREON BY DIMENSIONS, NOTATIONS, AND REFERENCED DOCUMENTS.
6. THIS STANDARD TAKES PRECEDENCE OVER DOCUMENTS REFERENCED HEREON.

(A) ENTIRE STANDARD REVISED

CUSTODIANS ORD	OTHER INT. A-TC,CE	MILITARY STANDARD CIRCUIT BREAKERS: THERMAL, 30 VOLT DC, AUTOMATIC, WATERPROOF, 15 TO 30 AMP	MS39062 (ORD)
	M- AF-		
PROCUREMENT SPECIFICATION MIL-C-13516	SUPERSEDES:	SHEET	OF

DD FORM 1 OCT 52 672-1

THIS STANDARD HAS BEEN APPROVED BY THE ORDNANCE CORPS (ORDNANCE TANK-AUTOMOTIVE COMMAND) DEPARTMENT OF THE ARMY AND IS MANDATORY FOR USE BY THAT ACTIVITY. ALL OTHER MILITARY ACTIVITIES ARE REQUIRED TO EMPLOY THIS STANDARD WHERE SUITABLE.

APPROVED 21 JAN 1959
REVISED (A) 18 JANUARY 1966

NOTICE: When Government drawings, specifications, or other data are used for any purpose other than in connection with a definitely related Government procurement operation, the United States Government thereby incurs no responsibility, nor any obligation whatsoever; and the fact that the Government may have furnished, furnished, or in any way supplied the said drawings, specifications, or other data is not to be regarded as an implication of approval or in any manner licensing the holder or any other person or corporation, or conveying any right of manufacture, use, or sell any patented invention that may in any way be related thereto.