

INCH-POUND

MS39058C

21 July 2005

SUPERSEDING

MS39058B (AT)

16 February 1988

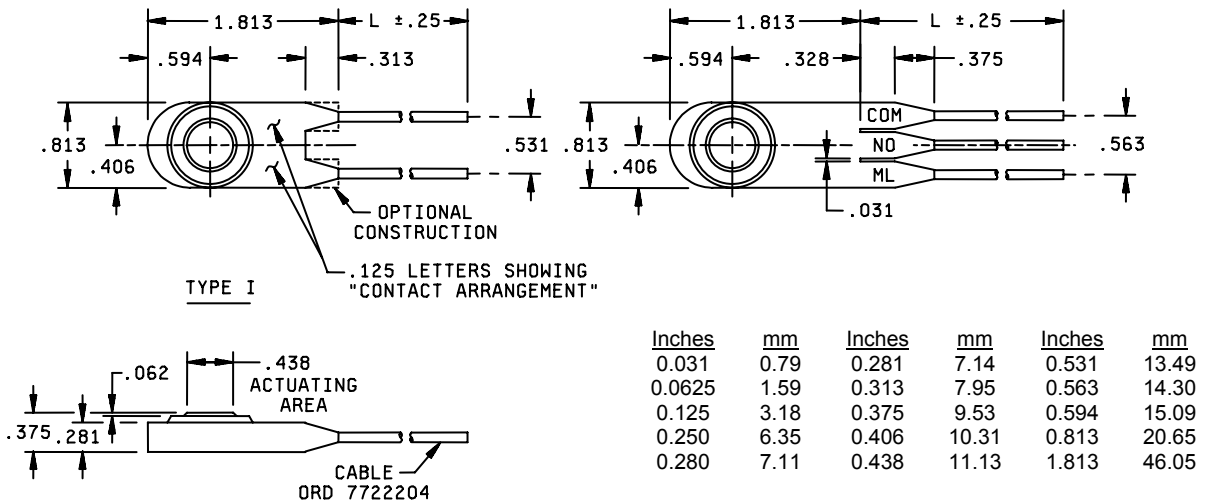
MILITARY SPECIFICATION SHEET

SWITCH, SENSITIVE-24 VOLTAGE DC (WATERPROOF)

INACTIVE FOR NEW DESIGN,  
DATED 8 MARCH 1999

This specification is approved for use by all Departments and Agencies of the Department of Defense.

The requirements for acquiring the products described herein shall consist of this specification sheet and the issue specified in the solicitation: MIL-DTL-13484.



NOTES:

1. All dimensions are in inches. Tolerance is  $\pm 0.031$  (0.79 mm) for decimals.
2. In the event of a conflict between the text of this military specification and the references cited herein, the text of this military specification shall take precedence.
3. Referenced Government documents are specified in the solicitation form a part of this military specification to the extent specified herein.

FIGURE 1. Dimensions and configuration.

## MS39058C

MS PIN	Former PIN	Switch type	Contact arrangement	"L" dimension
MS39058-1	ORD 7974220	I SP/ST	Normally open	31.00 (787.4)
MS39058-2	ORD 7974221	I SP/ST	Normally closed	12.19 (309.6)
MS39058-3	ORD 7974222	II SP/ST	Normally open/ Normally closed	12.19 (309.6)

## REQUIREMENTS:

Switch type shall be as specified in the tabulation.

Switch casing material: Rubber SC 410 AC<sub>1</sub> E<sub>3</sub> F<sub>2</sub> in accordance with ASTM-D2000.

Actuation force: 1 to 2 pounds within 0.125 inch (3.18 mm) of center of actuation area.

Release force: 6 ounces minimum.

Release time: 0.25 second maximum.

Pretravel: 0.015 minimum.

Overtravel: 0.015 minimum.

Movement differential: 0.005 maximum.

Current rating: 7.5 amperes lamp load, 7.5 amperes inactive load (L/R ratio .026); 15 amperes resistive load.

Marginal notations are not used in this revision to identify changes with respect to the previous issue due to the extend of changes.

## Referenced Documents:

MIL-DTL-13484

ASTM-D2000

Custodians:  
Army - AT

Preparing activity:  
DLA - CC

(Project 5930-1919-002)

NOTE: The activities listed above were interested in this document as of the date of the this document. Since organizations and responsibilities can change, you should verify the currency of the information above using the Assist Online database at <http://assist.daps.dla.mil>.