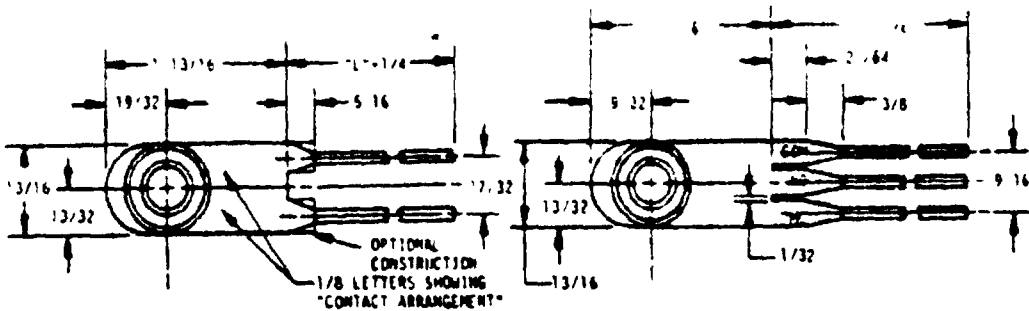
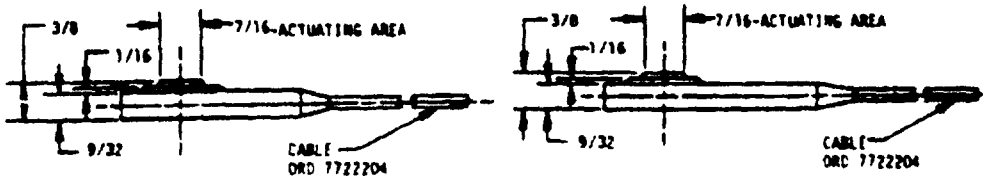


FED SMP CLASS
5930



TYPE I

TYPE II



MS PART NO	FORMER PART NO	SWITCH TYPE	CONTACT ARRANGEMENT	"L" DIM
MS3905B-1	ORD 7974220	1 SP/ST	NORMALLY OPEN	.31
MS3905B-2	ORD 7974221	1 SP/ST	NORMALLY CLOSED	12-3-16
MS3905B-3	ORD 7974222	1 SP/ST	NORMALLY OPEN/ NORMALLY CLOSED	12-3-16

REQUIREMENTS

- ① 1 SWITCH TYPE SHALL BE AS SPECIFIED IN TABULATION
- 2 SWITCH CASING MATERIAL RUBBER SC 410 A₁, E₃, F₇, IN ACCORDANCE WITH MIL-R-3065
- 3 ACTUATION FORCE 1 TO 2 POUNDS WITHIN 1/8 INCH OF CENTER OF ACTUATION AREA
 - RELEASE FORCE 6 OUNCES MINIMUM
 - RELEASE TIME 1/4 SECOND MAXIMUM
 - PRETRAVEL .015 MINIMUM
 - OVERTRAVEL .015 MINIMUM
 - MOVEMENT DIFFERENTIAL .005 MAXIMUM
 - CURRENT RATING 7-1/2 AMPERES LOAD LOAD, 7-1/2 AMPERES INDUCTIVE LOAD (L/R RATIO .020), 15 AMPERES RESISTIVE LOAD

NOTES

- 1 DIMENSIONS ARE IN INCHES TOLERANCE IS ± 1/32 FOR FRACTIONS
- ② 2 IN THE EVENT OF A CONFLICT BETWEEN THE TEXT OF THIS STANDARD AND THE REFERENCES CITED HEREIN, THE TEXT OF THIS STANDARD SHALL TAKE PRECEDENCE
- ③ 3 REFERENCED GOVERNMENT DOCUMENTS OF THE ISSUE LISTED IN THAT ISSUE OF DEFENSE INDEX OF SPECIFICATIONS AND STANDARDS (DIS/ISS) SPECIFIED IN THE SOLICITATION FORM A PART OF THIS STANDARD TO THE EXTENT SPECIFIED HEREIN

① DENOTES CHANGE

WSEER ACTIVITIES

REVERSE ACTIVITIES ARMY NI
DLA ES

This Military Standard is approved for use by the US Army, Tank-Automotive Command of the Army, and is available for use by all Departments and Agencies of the Department of Defense
MIL-STD-1348-1, Statement A, approved for public release distribution is indicated

APPROVED 9 SEP 1958 REVISED 12 JUNE 1967 16 FEBRUARY 1968

ARMY AT Dist. Cat.	INTERNATIONAL INTEREST	TITLE SWITCH, SENSITIVE - 24 VOLT DC (WATERPROOF)	MILITARY STANDARD MS3905B(AT)
PROCUREMENT SPECIFICATION M S 1348A	SUPERSEDES	DATE	OR