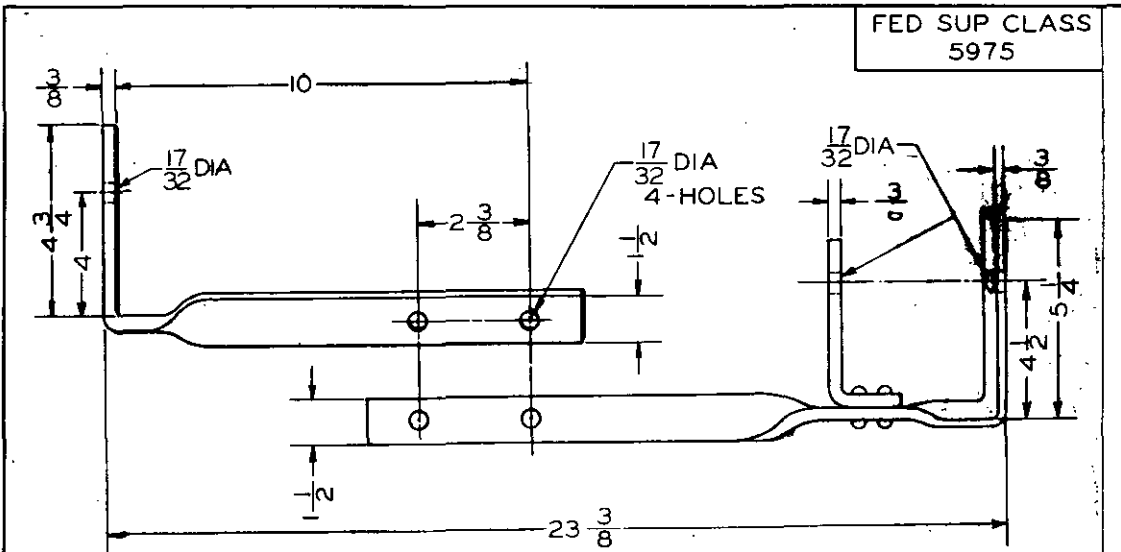


X-6947

This document has been promulgated by the Department of Defense as the Military Standard to limit the selection of the item, product, or design covered herein in engineering, design, and procurement. This standard shall become effective not later than 90 days after the latest date of approval shown.

NOTICE: When Government drawings, specifications, or other data are used for any purpose other than in connection with a definitely related Government procurement operation, the United States Government thereby incurs no responsibility, in any way, for the use, or for the results of its use, in any way, of such drawings, specifications, or other data. It is not to be regarded by implication or otherwise as in any manner endorsing the product, or conveying any right of publication or reproduction in any way, or for the use of such drawings, specifications, or other data in any way, or for the results of its use, in any way, of such drawings, specifications, or other data.



NOTES:

1. REFERENCED DOCUMENTS SHALL BE OF THE ISSUE IN EFFECT ON DATE OF INVITATIONS FOR BID.
2. THIS STANDARD TAKES PRECEDENCE OVER DOCUMENTS REFERENCED HEREIN.
3. MATERIAL - STEEL SHALL BE IN ACCORDANCE WITH FEDERAL SPECIFICATION QQ-B-636.
4. FINISH SHALL BE HOT DIP GALVANIZED IN ACCORDANCE WITH MILITARY SPECIFICATION MIL-Z-1787A.

(A) CANCELLED AFTER 22 MAY 1967. NO SUPERSEDING STANDARD.

ALL DIMENSIONS IN INCHES

CUSTODIANS SigC MC USAF	OTHER INT. A- CE N- YS AF-	MILITARY STANDARD BRACKET INSULATOR, TRANSPPOSITION (PHANTOM CIRCUIT)	MS39048
PROCUREMENT SPECIFICATION	SUPERSEDES:		SHEET 1 OF 1