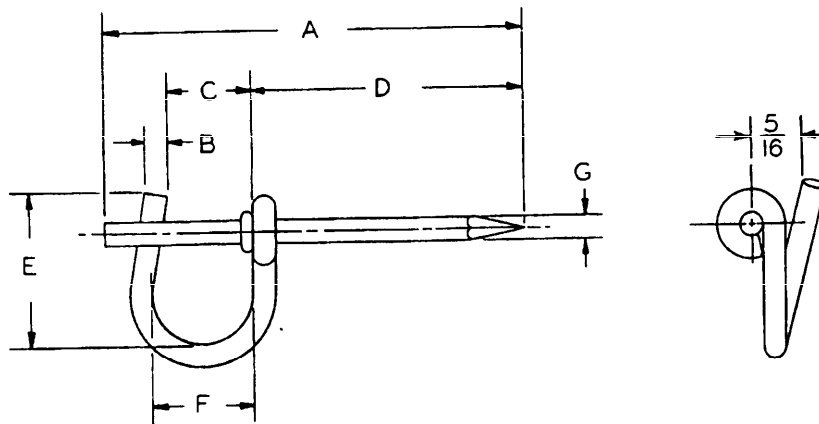


Reviewer/user information is current as of the date of this document. For future coordination of changes to this document, draft circulation should be based on the information in the current DODDS (FSC listing).  
 MAY 1963 ID+  
 AF 82+  
 Army EL+

This military standard has been approved by the Department of Defense and is mandatory for use by all Departments and Agencies of the Department of Defense. Selection for all new engineering and design applications and for repetitive use shall be made from this document.

FED. SUP CLASS  
5975



DASH NO.	A	B	C	D	E	F	G
-1	2 1/16	.120	1/4	1 3/8	3/4	1/2	.120
-2	2 1/4	.135	1/2	1 7/16	1 1/8	5/8	.165
-3	2 9/16	.177	5/8	1 1/2	2 1/16	7/8	.165

NOTES:

1. REFERENCED DOCUMENTS SHALL BE OF THE ISSUE IN EFFECT ON DATE OF INVITATIONS FOR BID.
2. THIS STANDARD TAKES PRECEDENCE OVER DOCUMENTS REFERENCED HEREIN.
3. RING SHALL BE MADE FROM WIRE COMPLYING WITH FEDERAL SPECIFICATION QQ-W-409.
4. RING SHALL BE HOT DIP GALVANIZED IN ACCORDANCE WITH MILITARY SPECIFICATION MIL-Z-17871.

ALL DIMENSIONS IN INCHES

P.A. Other Cust 82	EL YD 82	TITLE <b>DRIVE RING (POLE LINE)</b>	MILITARY STANDARD <b>MS39045</b>
PROCUREMENT SPECIFICATION MIL-H-55053	SUPERSEDES:	SHEET 1 OF 1	

APPROVED 18 JULY 58 REVISED (A) 10 MAY 1968