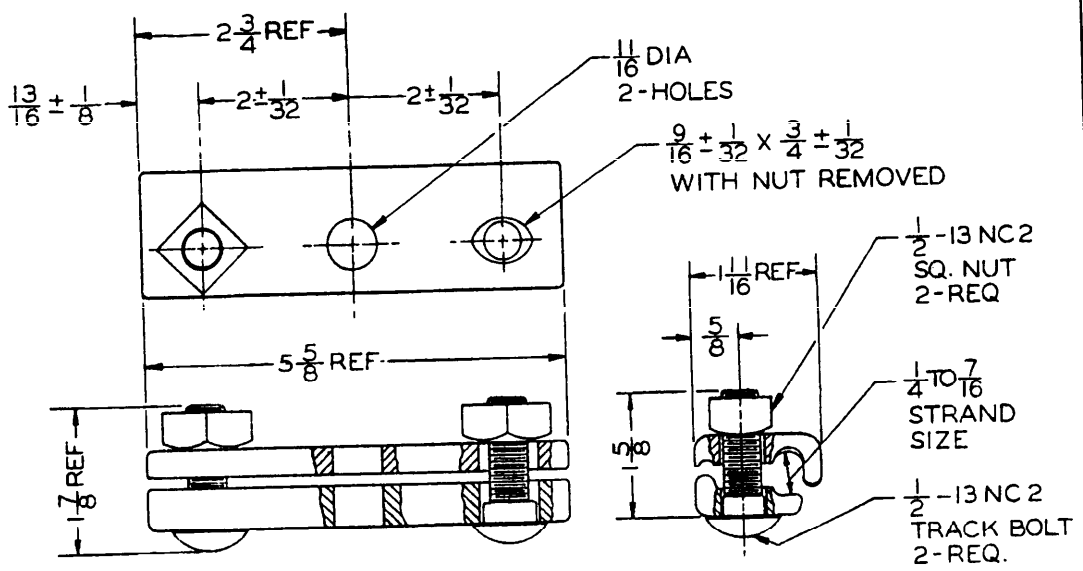


FED. SUP CLASS
5975

Reviewer/user information is current as of the date of this document. For future coordination of changes to this document, draft circulation should be based on the information in the current DODDIS (FSC listing).
 MIL-STD-883C
 AF 85-824
 ARMY GIG 8L



- NOTES:
1. REFERENCED DOCUMENTS SHALL BE OF THE ISSUE IN EFFECT ON DATE OF INVITATIONS FOR BID.
 2. THIS STANDARD TAKES PRECEDENCE OVER DOCUMENTS REFERENCED HEREIN.
 3. STEEL SHALL BE IN ACCORDANCE WITH FEDERAL SPECIFICATION QQ-S-633 OR QQ-S-635, OPEN HEARTH METHOD.
 4. HANGER SHALL BE HOT DIP GALVANIZED IN ACCORDANCE WITH MILITARY SPECIFICATION MIL-2-17871.
 5. SCREW THREADS SHALL BE UNC-2 PER NATIONAL BUREAU OF STANDARDS PUBLICATION H-28. THREADS OF NUTS SHALL NOT BE GALVANIZED.
 6. HANGER SHALL BEAR THE MANUFACTURER'S SYMBOL OR IDENTIFICATION MARK IN ACCORDANCE WITH FEDERAL SUPPLY CODE FOR MANUFACTURERS.

This military standard has been approved by the Department of Defense and is mandatory for use by all Departments and Agencies of the Department of Defense. Selection for all new engineering and design applications and for repetitive use shall be made from this document.

ALL DIMENSIONS IN INCHES

P.A. KL Other Cust. YD 82	TITLE CLAMP, CABLE SUSPENSION (POLE LINE)	MILITARY STANDARD MS 39032
PROCUREMENT SPECIFICATION MIL-H-55053	SUPERSEDES:	SHEET 1 OF 1

APPROVED 18 JULY 58 REVISED (A) 13 December 1967

3415-6252