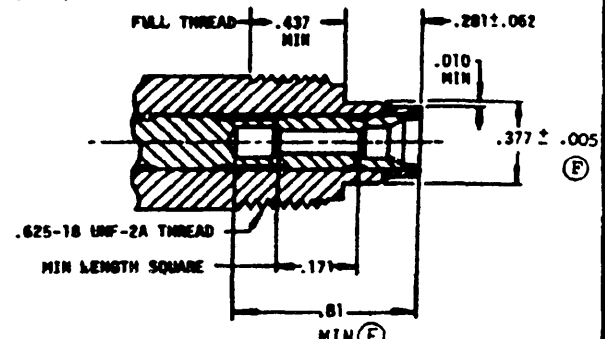
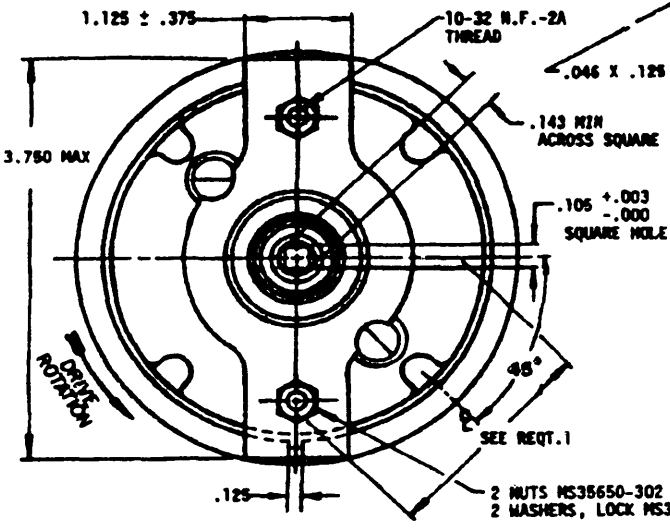
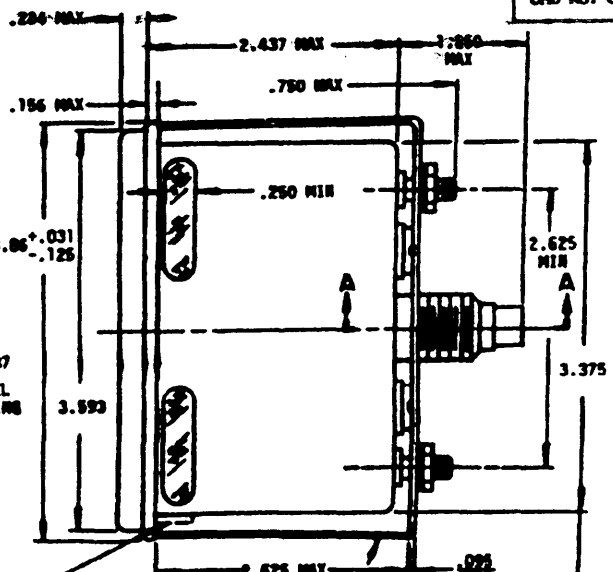
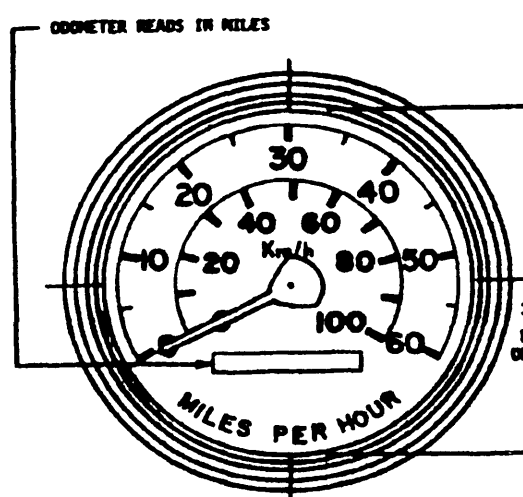


This specification is approved for use by all Departments and Agencies of the Department of Defense.



**SECTION A-A  
INSTRUMENT CONNECTION**

**REQUIREMENTS:**

1. FOUR (4) ILLUMINATING WINDOWS SHALL BE 1.859 MIN. CHORDAL LENGTH, EQUALLY SPACED 45° OFF HORIZONTAL CENTERLINE. OPTIONAL CONSTRUCTION: 360° ILLUMINATING WINDOW (F)
2. THREADS SHALL BE IN ACCORDANCE WITH FED-STD-H20/2.
3. REFERENCED DOCUMENTS SHALL BE OF THE ISSUE IN EFFECT ON DATE OF INVITATION FOR BIDS.

**NOTES:**

1. TYPE I (MECHANICAL), GROUP A (SPEEDOMETER, FIXED MOUNTING) OF PROCUREMENT SPECIFICATION.
2. FOR FLEXIBLE SHAFT ASSEMBLIES SEE MSS1071. (F)
3. UNLESS OTHERWISE SPECIFIED, DIMENSIONS ARE IN INCHES, TOLERANCES ARE ±.015 ON DECIMALS, ± 1° ON ANGULAR DIMENSIONS.
4. FOR DESIGN FEATURE PURPOSES, THIS STANDARD TAKES PRECEDENCE OVER PROCUREMENT DOCUMENTS REFERENCED HEREIN.
5. FOR INFORMATION OTHER THAN SHOWN HEREON, SEE PROCUREMENT SPECIFICATION.
6. THIS STANDARD IS NOT INTENDED TO LIMIT CONSTRUCTION TO FEATURES OTHER THAN AS SHOWN HEREON BY DIMENSIONS, NOTATIONS, AND REFERENCED DOCUMENTS. (F)
7. THE USE OF RECYCLED MATERIALS WHICH MEET THE REQUIREMENTS OF THE APPLICABLE MATERIAL SPECIFICATIONS, WITHOUT JEOPARDIZING THE INTENDED USE OF THE ITEM SHALL BE ENCOURAGED.

(F) INCH-POUND

(F) DENOTES CHANGE

MS PART NO.	DIAL TYPE	REFERENCE DRAWING
MS39021-2	NON-LUMINOUS	8376375

**PREPARING ACTIVITY:** ARMY-AT  
**CUSTODIANS:** ARMY-AT NAVY-AIR FORCE-  
**REVIEW:** DLA-GS, ARMY-MI  
**USER:** ARMY-ME; NAVY-MC  
**PROJECT NUMBER:** 6680-A230

**MILITARY SPECIFICATION SHEET**  
**TITLE:**  
**SPEEDOMETER,  
MECHANICAL (0-60 MPH)**

**SPECIFICATION SHEET NUMBER:**  
**MS39021F**  
11 JULY 1991  
**SUPERSEDING:** MS39021E(AT)  
14 APRIL 1989  
AMSC-N/A TSC-6680