

DIMENSIONS ARE IN INCHES

NOTES:

- ① 1. MATERIAL: STEEL, CARBON, C-1015 TO C-1025, ASTM-A575 AND ASTM-A663.
2. FINISH: CADMIUM PLATED, QQ-P-416, TYPE II, CLASS 2.
3. UNLESS OTHERWISE SPECIFIED, DIMENSIONS ARE IN INCHES AND TOLERANCES ARE $\pm .005$ ON DECIMALS, $\pm 2^\circ$ ON ANGLES.
- *4. SHEET 2 IS IDENTICAL WITH SHEET 1 EXCEPT THAT DIMENSIONS ARE IN MILLIMETERS.
5. REFERENCED DOCUMENTS SHALL BE OF THE ISSUE IN EFFECT ON DATE OF INVITATIONS FOR BIDS.
- ② 6. RECYCLED, VIRGIN AND RECLAIMED MATERIALS. THERE ARE NO REQUIREMENTS FOR THE EXCLUSIVE USE OF VIRGIN MATERIALS; HOWEVER, ALL MATERIALS SHALL BE NEW AND UNUSED. THE USE OF RECYCLED OR RECLAIMED (RECOVERED) MATERIALS IS ACCEPTABLE PROVIDED THAT ALL OTHER REQUIREMENTS OF THIS STANDARD ARE MET.

THIS IS A DESIGN STANDARD AND SHALL NOT BE USED AS A PART NUMBER.

"CERTAIN PROVISIONS (IDENTIFIED BY *) OF THIS STANDARD ARE THE SUBJECT OF INTERNATIONAL STANDARDIZATION AGREEMENT NATO STANAG 4006. WHEN REVISION OR CANCELLATION OF THIS STANDARD IS PROPOSED WHICH WILL EFFECT OR VIOLATE THE INTERNATIONAL AGREEMENT CONCERNED, THE PREPARING ACTIVITY WILL TAKE APPROPRIATE RECONCILIATION ACTION THROUGH INTERNATIONAL STANDARDIZATION CHANNELS, INCLUDING DEPARTMENTAL STANDARDIZATION OFFICES, IF REQUIRED."

② DENOTES CHANGE

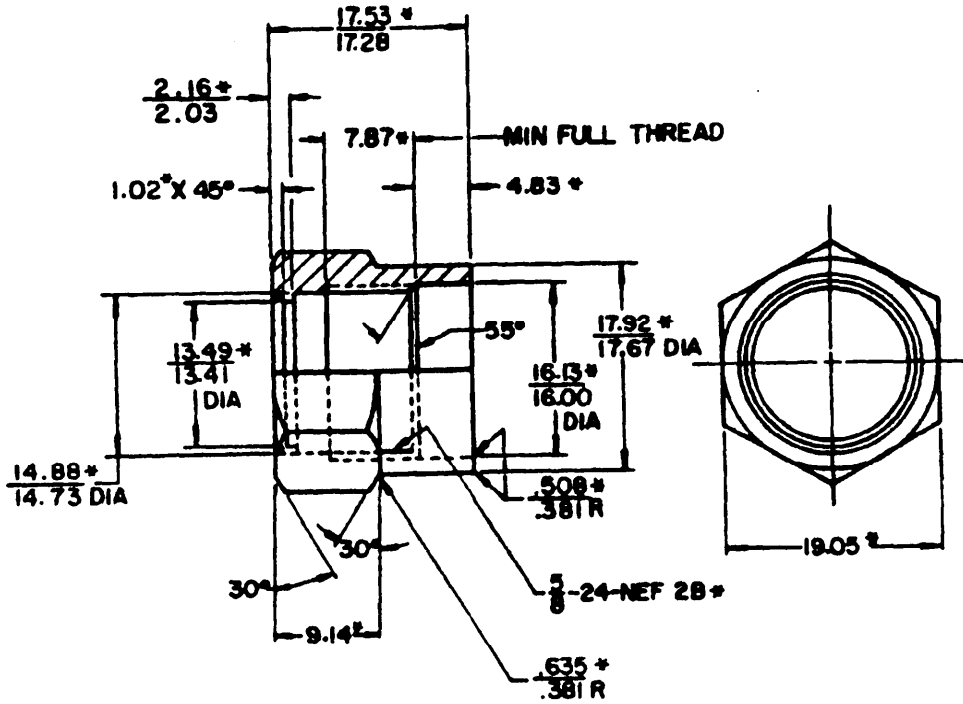
PREPARING ACTIVITY: ARMY-AT	MILITARY SPECIFICATION SHEET	SPECIFICATION SHEET NUMBER: MS39016B 16 JANUARY 1989
CUSTODIANS: ARMY- AT NAVY- AIR FORCE- AF-85	TITLE: NUT, COUPLING, ELECTRICAL CONDUIT SPARK PLUG CABLE (OTHER THAN AIRCRAFT)	SUPERSEDING: MS39016A, 31 OCTOBER 1966
REVIEW: ARMY-ER; AF-99; DLA-GS; USER: ARMY-ME; NAVY-MC,YD;	INTERNATIONAL INTEREST NATO STANAG 4006	AMSC-NA FSC- 5975
PROJECT NUMBER: 5975-A001	DISTRIBUTION STATEMENT A. Approved for public release; distribution is unlimited.	
		Page 1 of 2

The requirements for acquiring the product(s) described herein shall consist of this specification sheet and the issue of the following specification listed in that issue of the DoDISS specified in the solicitation:

This specification is approved for use by all Departments and Agencies of the Department of Defense.

The requirements for acquiring the product(s) described herein shall consist of this specification sheet and the issue of the following specification listed in that issue of the DoDISS specified in the solicitation:

This specification is approved for use by all Departments and Agencies of the Department of Defense.



DIMENSIONS ARE IN MILLIMETERS

- NOTES:**
- ⓑ 1. MATERIAL: STEEL, CARBON, C-1015 TO C-1025, ASTM-A575 AND ASTM-A663.
 - 2. FINISH: CADMIUM PLATED, QQ-P-416, TYPE II, CLASS 2.
 - *3. UNLESS OTHERWISE SPECIFIED, DIMENSIONS ARE IN MILLIMETERS, TOLERANCES ARE .13 AND ±2° FOR ANGLES.
 - *4. SHEET 1 IS IDENTICAL WITH SHEET 2 EXCEPT THAT DIMENSIONS ARE IN INCHES.
 - 5. REFERENCED DOCUMENTS SHALL BE OF THE ISSUE ON DATE OF INVITATION FOR BIDS.
 - ⓑ 6. RECYCLED, VIRGIN AND RECLAIMED MATERIALS. THERE ARE NO REQUIREMENTS FOR THE EXCLUSIVE USE OF VIRGIN MATERIALS; HOWEVER, ALL MATERIALS SHALL BE NEW AND UNUSED. THE USE OF RECYCLED OR RECLAIMED (RECOVERED) MATERIALS IS ACCEPTABLE PROVIDED THAT ALL OTHER REQUIREMENTS OF THIS STANDARD ARE MET.

THIS IS A DESIGN STANDARD AND SHALL NOT BE USED AS A PART NUMBER.

"CERTAIN PROVISIONS (IDENTIFIED BY *) OF THIS STANDARD ARE THE SUBJECT OF INTERNATIONAL STANDARDIZATION AGREEMENT NATO STANAG 4006. WHEN REVISION OR CANCELLATION OF THIS STANDARD IS PROPOSED WHICH WILL EFFECT OR VIOLATE THE INTERNATIONAL AGREEMENT CONCERNED, THE PREPARING ACTIVITY WILL TAKE APPROPRIATE RECONCILIATION ACTION THROUGH INTERNATIONAL STANDARDIZATION CHANNELS, INCLUDING DEPARTMENTAL STANDARDIZATION OFFICES, IF REQUIRED."

PREPARING ACTIVITY: ARMY-AT CUSTODIANS: ARMY- AT NAVY- AIR FORCE- AF-85 REVIEW: ARMY-ER; AF-99; DLA-GS; USER: ARMY-ME; NAVY-MC,YD; PROJECT NUMBER: 5975-A001	MILITARY SPECIFICATION SHEET		SPECIFICATION SHEET NUMBER: MS39016B 16 JANUARY 1989
	TITLE: NUT, COUPLING, ELECTRICAL CONDUIT SPARK PLUG CABLE (OTHER THAN AIRCRAFT)		SUPERSEDING: MS39016A, 31 OCTOBER 1966
INTERNATIONAL INTEREST NATO STANAG 4006		ANSC-NA FSC- 5975	