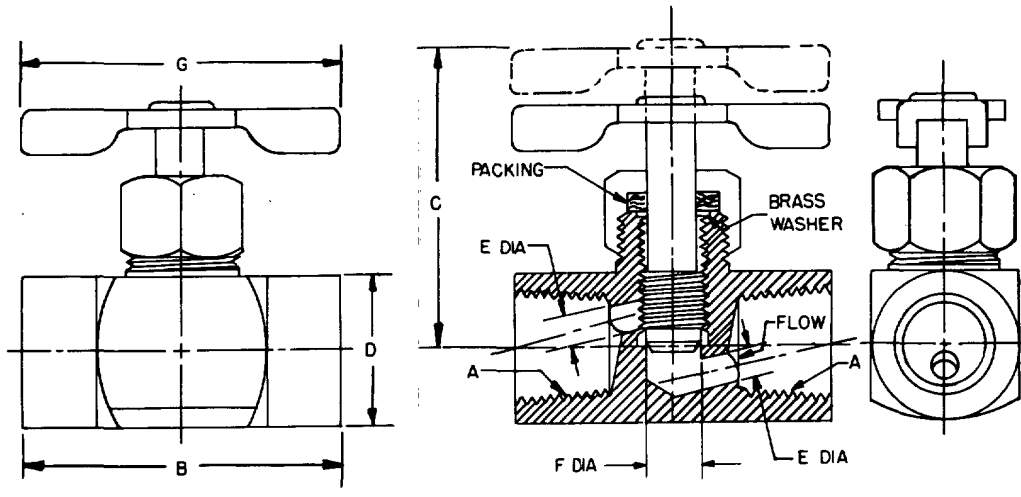


FED. SUP CLASS
4820



REVIEWER: AT, AV, CS, ME, MU
USER: EL, GL, MC, MI

DASH NO	A PIPE THREAD NPTF	B MAX	C OPEN MAX	D MIN	E HOLE DIAMETER MIN	F HOLE DIAMETER MIN	G MAX
1	1/8 - 27	1.13	1.03	.50	.16	.19	1.39
2	1/4 - 18	1.62	1.27	.69	.16	.19	1.39

- NOTES:
- 1. **MATERIAL:** Brass, QQ-B-626, Alloy No. 268 or 360 or QQ-C-390, Alloy Number B5. Handle may be steel conforming to QQ-S-698, hot rolled or cold rolled.
 - 2. **PROTECTIVE COATING:** Brass, none. Steel, Cadmium Plated in accordance with QQ-P-416, Type II, Class 3. Steel, Zinc Plated in accordance with QQ-Z-325, Type II, Class 3.
 - 3. **THREADS:** Threads shall be in accordance with Screw-Thread Standards for Federal Services, Handbook H28.
 - 4. **DIMENSIONS:** Unless otherwise specified all dimensions are in inches.
 - 5. **PART NUMBER:** The MS part number consists of the MS number, plus the dash number. Example: MS35934-1.
 - 6. For design feature purposes, this standard takes precedence over procurement documents referenced herein.
 - 7. Reference documents shall be of the issue in effect on date of invitations for bid.
 - 8. Flow of liquid should be toward the valve seat not toward the stem threads.
 - 9. This item is for use in liquid or gas systems where the pressure does not exceed 150 p.s.i. and the liquid or gas is compatible with brass.
 - 10. The illustration is for identification purposes only and is not intended to restrict designs or shapes not dimensioned.

This military standard has been approved by the Department of Defense and is mandatory for use by all Departments and Agencies of the Department of Defense. Selection for all new engineering and design applications and for repetitive use shall be made from this document.

APPROVED 17 FEB 1959 REVISED 20 MAY 1966 30 MAR 73

P.A. WC Other Cust SH 82	TITLE COCK, SHUT-OFF, SCREW STEM, THREADED TYPE, ① 150 PSI.	MILITARY STANDARD MS 35934
PROCUREMENT SPECIFICATION MIL-C-1203	SUPERSEDES:	SHEET 1 OF 1

DD FORM 672-1 (Coordinated)

PREVIOUS EDITIONS OF THIS FORM ARE OBSOLETE.