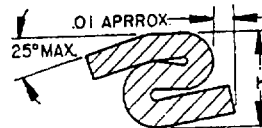
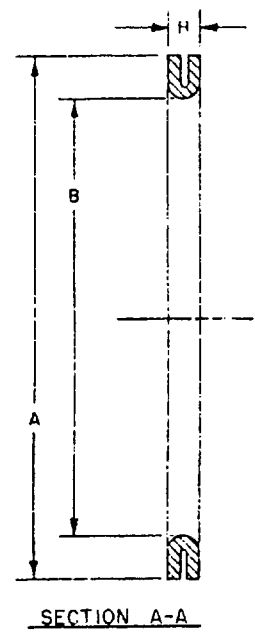
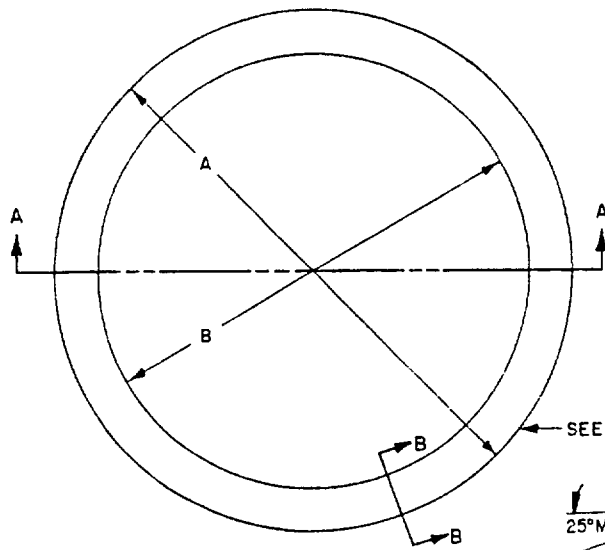


FED SUP CLASS  
2920

REVIEW ACTIVITIES: ARMY-ME, US  
USER ACTIVITIES: NAVY-RC



SECTION B B  
OPTIONAL CONSTRUCTION

MS DASH NO.	SPARK PLUG SIZE	DIMENSIONS		COMPRESSED HEIGHT (H)	TORQUE AT (H) FT. LBS.	
		A	B		CAST IRON HEAD	ALUMINUM HEAD
-1	* 18MM	.990	.722	.060	32	26
		.880	.710	.040	38	34
-2	* 14MM	.830	.565	.055	26	18
		.710	.552	.040	30	22

- (B) REQUIREMENTS:
- MATERIAL: STEEL, H.R.C.Q., QQ-S-698.
  - FINISH: COPPER PLATING, MIL-C-14550, CLASS 3. OPTIONAL; ZINC PLATING, QQ-Z-325, TYPE II, CLASS 3.
  - HARDNESS: ROCKWELL B50-60, NO. 5 TEMPER.
- (B) NOTES:
- REMOVE ALL BURRS AND SHARP EDGES.
  - UNLESS OTHERWISE SPECIFIED, DIMENSIONS ARE IN INCHES.
  - FOR DESIGN FEATURE PURPOSES, THIS STANDARD TAKES PRECEDENCE OVER PROCUREMENT DOCUMENTS REFERENCED HEREIN.
  - THIS STANDARD IS NOT INTENDED TO LIMIT CONSTRUCTION TO FEATURES OTHER THAN AS SHOWN HEREON BY DIMENSIONS, NOTATIONS OR REFERENCED DOCUMENTS.
  - THE MS PART NUMBER CONSISTS OF THE MS MILITARY STANDARD NUMBER FOLLOWED BY A DASH NUMBER. EXAMPLE: MS35910-2. THIS NUMBER SHALL APPEAR ON THE PACKAGE AND NOT ON THE PART.
- (B) 6. REFERENCED DOCUMENTS SHALL BE OF THE ISSUE IN EFFECT ON DATE OF INVITATIONS FOR BIDS OR REQUEST FOR PROPOSAL, EXCEPT THAT REFERENCED ADOPTED INDUSTRY DOCUMENTS SHALL GIVE THE DATE OF THE ISSUE ADOPTED.
- (B) CERTAIN PROVISIONS OF THIS STANDARD (IDENTIFIED BY 4) ARE THE SUBJECT OF INTERNATIONAL STANDARDIZATION AGREEMENT NATO-STANAG 2602. WHEN REVISION OR CANCELLATION OF THIS STANDARD IS PROPOSED WHICH WILL AFFECT OR VIOLATE THE INTERNATIONAL AGREEMENT CONCERNED, THE PREPARING ACTIVITY WILL TAKE APPROPRIATE RECONCILIATION ACTION THROUGH INTERNATIONAL STANDARDIZATION CHANNELS, INCLUDING DEPARTMENTAL STANDARDIZATION OFFICES, IF REQUIRED.

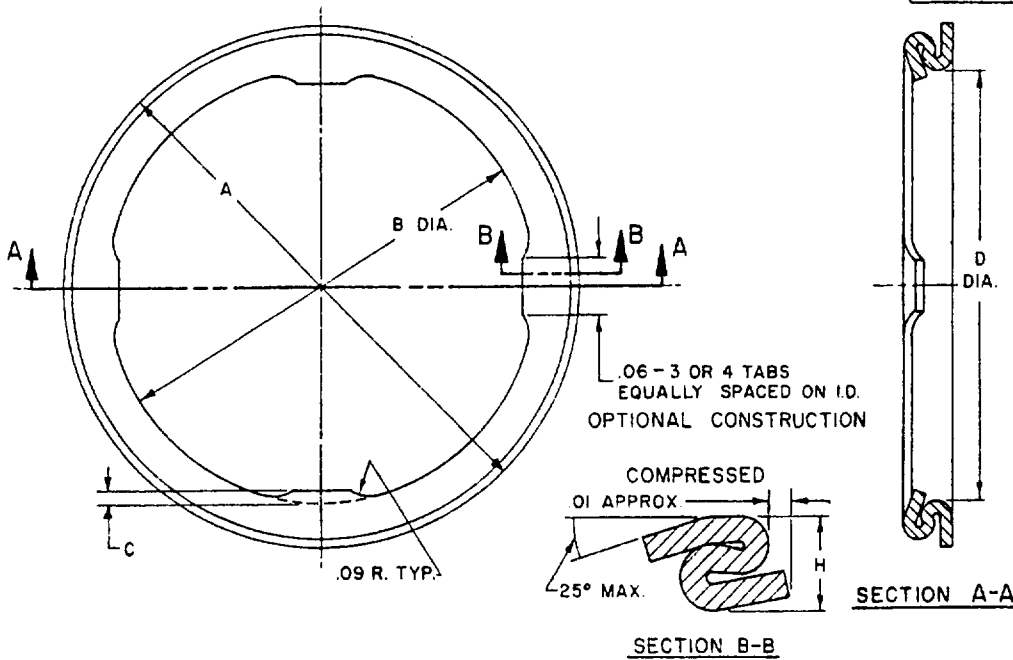
(B) DENOTES CHANGES

This military standard is approved for use by all Departments and Agencies of the Department of Defense. Selection for all new engineering and design applications and for repetitive use shall be made from this document when applicable.

P.A. ARMY-AT Other Cust NAVY-YD AF-99	TITLE <b>GASKET, SPARK PLUG: NONAIRCRAFT</b>	MILITARY STANDARD <b>MS35910</b>
PROCUREMENT SPECIFICATION NONE	SUPERSEDES	SHEET 1 OF 2

APPROVED 27 MARCH 1958 REVISED (A) 12 APRIL 1967 (C) 29 JUNE 1979

FED. SUP CLASS  
2920



OPTIONAL CONSTRUCTION  
(TAB TYPE)

MS DASH NO.	SPARK PLUG SIZE	DIMENSIONS				COMPRESSED HEIGHT (H)	TORQUE AT (H) FT. LB.	
		A	B	C	D		CAST IRON HEAD	ALUMINUM HEAD
-1	* 18MM	.990	.720	.031	.725	.060	32	28
		.870	.700	.023	.712	.040	38	34
-2	* 14MM	.830	.557	.020	.565	.055	26	18
		.710	.545	.014	.552	.040	30	22

- (B) REQUIREMENTS:
- MATERIAL: STEEL, H.R.C.Q., QQ-S-698.
  - FINISH: COPPER PLATING, MIL-C-14550, CLASS 3. OPTIONAL; ZINC PLATING, QQ-Z-325, TYPE II, CLASS 2.
  - HARDNESS: ROCKWELL B50-60, NO. 5 TEMPER.
- (B) NOTES:
- REMOVE ALL BURRS AND SHARP EDGES.
  - UNLESS OTHERWISE SPECIFIED, DIMENSIONS ARE IN INCHES.
  - FOR DESIGN FEATURE PURPOSES, THIS STANDARD TAKES PRECEDENCE OVER PROCUREMENT DOCUMENTS REFERENCED HEREIN.
  - THIS STANDARD IS NOT INTENDED TO LIMIT CONSTRUCTION TO FEATURES OTHER THAN AS SHOWN HEREON BY DIMENSIONS, NOTATIONS OR REFERENCED DOCUMENTS.
  - THE MS PART NUMBER CONSISTS OF THE MS MILITARY STANDARD NUMBER FOLLOWED BY A DASH NUMBER. EXAMPLE: MS35910-2. THIS NUMBER SHALL APPEAR ON THE PACKAGE AND NOT ON THE PART.
  - REFERENCED DOCUMENTS SHALL BE OF THE ISSUE IN EFFECT ON DATE OF INVITATIONS FOR BIDS OR REQUEST FOR PROPOSAL, EXCEPT THAT REFERENCED ADOPTED INDUSTRY DOCUMENTS SHALL GIVE THE DATE OF THE ISSUE ADOPTED.
- (B) CERTAIN PROVISIONS OF THIS STANDARD (IDENTIFIED BY \*) ARE THE SUBJECT OF INTERNATIONAL STANDARDIZATION AGREEMENT NATO-STANAG 2602. WHEN REVISION OR CANCELLATION OF THIS STANDARD IS PROPOSED WHICH WILL AFFECT OR VIOLATE THE INTERNATIONAL AGREEMENT CONCERNED, THE PREPARING ACTIVITY WILL TAKE APPROPRIATE RECONCILIATION ACTION THROUGH INTERNATIONAL STANDARDIZATION CHANNELS, INCLUDING DEPARTMENTAL STANDARDIZATION OFFICES, IF REQUIRED.

APPROVED 27 MARCH 1958 REVISED (B) FOR CHANGES SEE SHEETS 1 AND 2

P.A. Other Cust	TITLE <b>GASKET, SPARK PLUG: NONAIRCRAFT</b>	MILITARY STANDARD
		<b>MS 35910</b>
PROCUREMENT SPECIFICATION	SUPERSEDES:	SHEET 2 OF 2