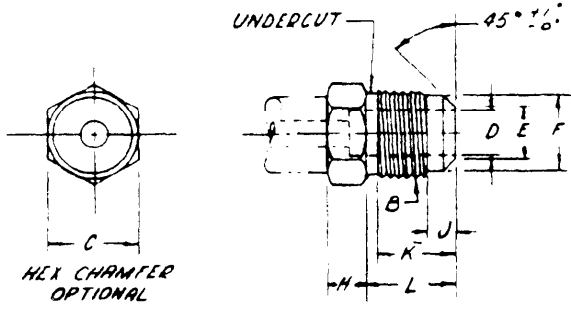


FED. SUP CLASS
730



FLARE SIZE	THREAD B	PITCH DIR	HEX C MIN	D-DIA	DIA E	DIA F	LENGTH H	LENGTH I	J	MIN FULL THREAD K
1/4	7/16-20	.3995 - .4037	.4375	.188	.219	.344	.180	.500	.160	.410
3/8	5/8-18	.5828 - .5875	.625	.281	.312	.531	.240	.620	.220	.540
1/2	3/4-16	.7029 - .7079	.750	.406	.438	.641	.300	.750	.250	.660
5/8	7/8-14	.8216 - .8270	.875	.500	.531	.750	.370	.880	.280	.760
3/4	1 1/4-14	1.0092 - 1.0145	1.0625	.625	.719	.938	.430	1.000	.280	.900

NOTES.

1. THE FLARE SIZE CORRESPONDS TO THE NOMINAL OUTSIDE DIAMETER OF THE TUBING.
2. ALL DIMENSIONS IN INCHES.
3. FITTING SEATS SHALL BE CONCENTRIC WITH STRAIGHT THREAD PITCH DIAMETERS WITHIN 0.010 INCH FULL INDICATOR READING.
4. TOLERANCES ON DIMENSIONS NOT OTHERWISE LIMITED SHALL BE PLUS OR MINUS 0.010 INCH.
5. MINIMUM ACROSS CORNER DIMENSIONS OF HEXAGONS SHALL BE 1.092 TIMES THE NOMINAL WIDTH ACROSS FLATS OF THE HEXAGON.
6. THE DEPTH OF DIMENSION F SHALL NOT EXCEED DIMENSION L PLUS ONE HALF DIMENSION H.
7. FITTING TO BE IN CONFORMANCE WITH SAE J512 AND ANSI B70.1 (1969).
8. UNDERCUT OPTIONAL ON 1/2, 5/8 and 3/4 FLARE SIZES ONLY. WHEN UNDERCUT, DIMENSION F MAY BE SHORTENED BY 1/2 PITCH.
9. FOR DESIGN FEATURE PURPOSES, THIS STANDARD TAKES PRECEDENCE OVER PROCUREMENT DOCUMENTS REFERENCED HEREIN.
10. REFERENCED DOCUMENTS SHALL BE OF THE ISSUE IN EFFECT ON THE DATE OF INVITATION FOR BIDS OR REQUEST FOR PROPOSAL.

REVIEW (ECP)
APR 75

This military standard is mandatory for use by all Departments and Agencies of the Department of Defense. Selection for all new engineering and design applications and for repetitive use shall be made from this document.

THIS IS A DESIGN STANDARD AND SHALL NOT BE USED AS A PART NUMBER

P.A. ARMY GL	TITLE	MILITARY STANDARD
Other Cust NAVY YD USAF BE	CONNECTION END, EXTERNAL FLARE, REFRIGERATION	MS 35873
PROCUREMENT SPECIFICATION NONE	SUPERSEDES	SHEET 1 OF 1

APPROVED 9 APR 58 REVISED (A) 25 SEPT 1967 (B) 8 MAY 1970 (C) 4 DEC 1975

NOTICE OF
VALIDATION

MS 35873C
NOTICE 1
31 October 1986

MILITARY STANDARD

CONNECTION END, EXTERNAL FLARE, REGRIGERATION

Military standard MS 35873C dated 4 December 1975 has been reviewed and determined to be current.

Custodians

Army - GL
Navy - YD
Air Force - 99

Preparing Activity:
Army - GL

Review Activities

Army - MI
DLA - CS

FSC 4730

DISTRIBUTION STATEMENT A: Approved for public release; distribution is unlimited.

