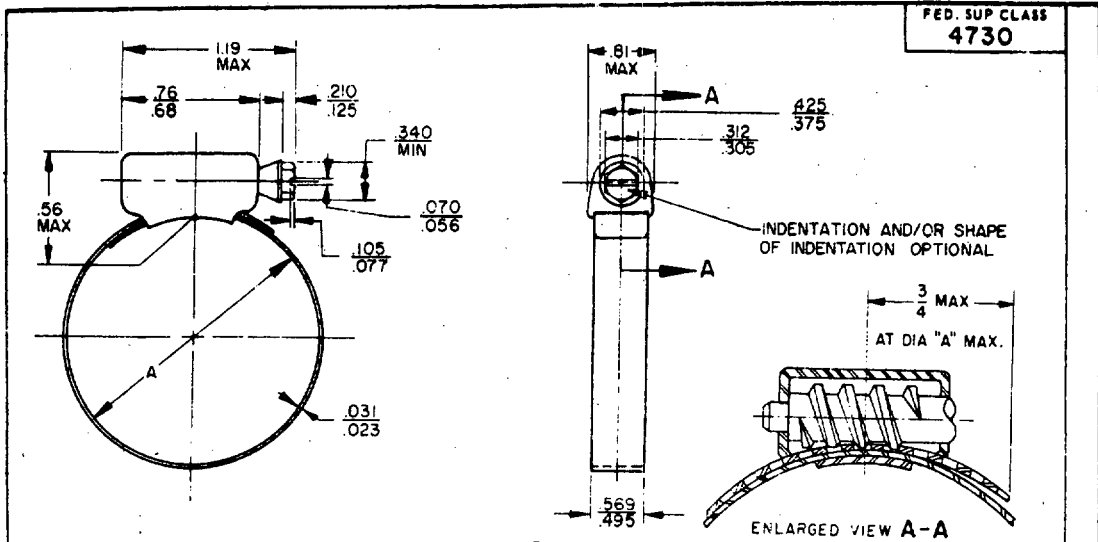


REVIEW ACTIVITIES: ARMY-AV, GL, ME, MI, MU, WC, AF-85  
 USER ACTIVITIES: NAVY-CC, MC, OS, AF-11, 84

This military standard is mandatory for use by all Departments and Agencies of the Department of Defense. Selection for all new engineering and design applications and for repetitive use shall be made from this document.



FED. SUP CLASS  
4730

TABLE I

DASH NUMBER	-A- HOSE DIAMETER RANGE		REF. SAE. NUMBER
	MINIMUM	MAXIMUM	
10	7/16	25/32	6
11	11/16	1-1/4	12
12	1-1/16	2	24
13	1-13/16	2-3/4	36
14	2-9/16	3-1/2	48
15	3-5/16	4-1/4	60
16	4-1/8	7	—

FOR LARGER SIZES SEE NOTE 2

NOTES:

1. FORMER DASH NUMBERS 1 THRU 9 HAVE BEEN CANCELLED. EXISTING STOCK MAY BE USED UNTIL EXHAUSTED. REVISED CLAMP RANGE COMPATIBLE WITH SAE STANDARDS. SEE INTERCHANGEABILITY TABLE ON SHEET 2.
2. FOR HOSE SIZES LARGER THAN SEVEN (7) INCHES, ASSEMBLE IN TANDEM ANY COMBINATION OF TWO OR MORE DASH 15 AND/OR DASH 16 CLAMPS TO OBTAIN THE REQUIRED SIZE. CLAMPS TO BE ASSEMBLED IN TANDEM SHOULD BE OF THE SAME MANUFACTURER.
3. THE TABULATED SIZES ARE INTENDED FOR REPLACEMENT MAINTENANCE STOCK AS WELL AS FOR NEW EQUIPMENT COMPONENTS. INTERMEDIATE SIZES AS STANDARDIZED BY SAE, MAY BE USED AS ORIGINAL EQUIPMENT INSTALLATION AT THE OPTION OF THE PRIME MANUFACTURER.
4. MATERIAL: SCREW; STEEL, CORROSION-RESISTING, 301 THRU 305, 410, 416, 420, 430, 430F, OR 431, FEDERAL STD. NO. 66. BAND AND OTHER PARTS; STEEL, CORROSION-RESISTING, 201, 202, 301 THRU 305, FEDERAL STD. NO. 66.
5. DIMENSIONS ARE IN INCHES. UNLESS OTHERWISE SPECIFIED, TOLERANCES ARE ±1/32.
6. FOR DESIGN FEATURE PURPOSES, THIS STANDARD TAKES PRECEDENCE OVER PROCUREMENT DOCUMENT REFERENCED HEREIN.
7. THIS STANDARD IS NOT INTENDED TO LIMIT CONSTRUCTION TO FEATURES OTHER THAN AS SHOWN HEREON BY DIMENSIONS, NOTATIONS, AND REFERENCED DOCUMENTS.
8. REFERENCED DOCUMENTS SHALL BE OF THE ISSUE IN EFFECT ON DATE OF INVITATIONS FOR BID.
9. THE MS PART NUMBER CONSISTS OF THE MS NUMBER PLUS THE DASH NUMBER. EXAMPLE: MS 35842-10.
10. MARKING SHALL CONSIST OF THE MS PART NUMBER AND THE MANUFACTURER'S IDENTIFICATION IN ACCORDANCE WITH MIL-STD-130.

ENTIRE STANDARD REVISED

P.A. ARMY-AT Other Cust NAVY - YD AIR FORCE- 82	TITLE <b>CLAMP, HOSE: LOW PRESSURE TYPE "F"</b>	<b>MILITARY STANDARD</b> <b>MS 35842</b>
PROCUREMENT SPECIFICATION WW-C-440	SUPERSEDES	SHEET 1 OF 2

DD FORM 1 SEP 57 672-1 (COORDINATED)

PREVIOUS EDITIONS OF THIS FORM ARE OBSOLETE

APPROVED 20 SEPT. 1957 REVISED (E) 1 SEPTEMBER 1967 (E) 30 JANUARY 1969

FED. SUP CLASS  
4730

## INTERCHANGEABILITY TABLE

THE FOLLOWING MS 35842 DASH NUMBERS ARE CANCELLED AFTER 1 SEPTEMBER 1967. THE CANCELLED HOSE CLAMPS SHOULD BE USED FOR MAINTENANCE PURPOSES UNTIL EXISTING STOCK IS EXHAUSTED. USE ONLY THE SUPERSEDING HOSE CLAMP DASH NUMBERS FOR NEW DESIGN AND PROCUREMENT.

TABLE II

CANCELLED PART NUMBER	HOSE DIAMETER RANGE	SUPERSEDING PART NUMBER
MS 35842-1	7/16 — 3/4	MS 35842-10
	3/4 — 1	-11
-2	7/8 — 1-1/8	-11
	1-1/8 — 2	-12
	2 — 2-5/8	-13
-3	1-1/2 — 2-5/8	-13
-4	CANCELLED	SAME AS -5
-5	2-1/2 — 2-3/4	-13
	2-3/4 — 3-1/2	-14
	3-1/2 — 4-1/4	-15
	4-1/4 — 6-1/8	-16
-6	5-7/8 — 7	-16
-7	9 — 18-1/8	SEE NOTE 2
-8	6-3/4 — 11	SEE NOTE 2
-9	10-3/4 — 18-1/2	SEE NOTE 2

This military standard is mandatory for use by all Departments and Agencies of the Department of Defense. Selection for all new engineering and design applications and for repetitive use shall be made from this document.

APPROVED 20 SEPT. 1957 REVISED (D) 1 SEPTEMBER 1967 (E) ENTIRE STANDARD REVISED

P. A. ARMY-AT Other Cust NAVY- YD AIR FORCE- B2	TITLE CLAMP, HOSE: LOW PRESSURE TYPE "F"	MILITARY STANDARD MS 35842
PROCUREMENT SPECIFICATION WW-C-440	SUPERSEDES	SHEET 2

DD FORM 672-1 (COORDINATED)

PREVIOUS EDITIONS OF THIS FORM ARE OBSOLETE