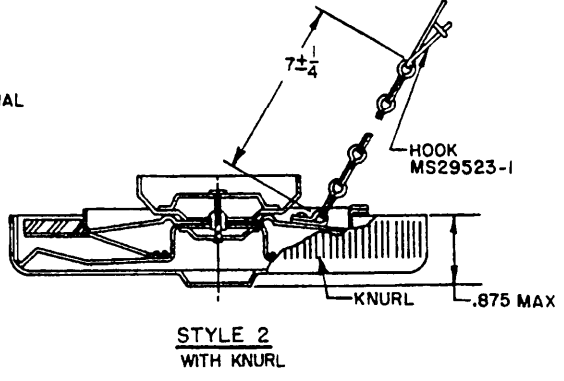
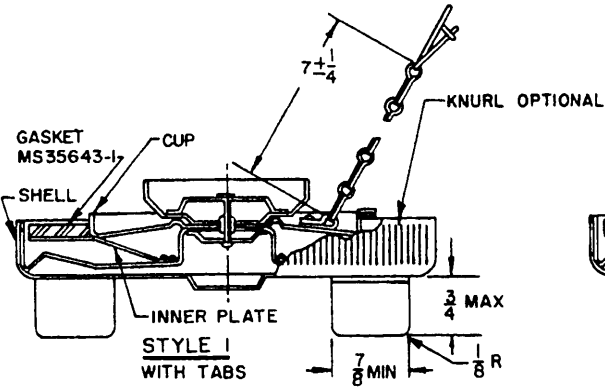
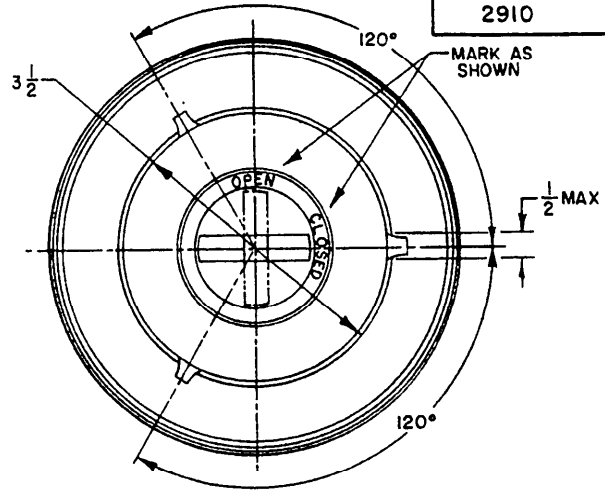
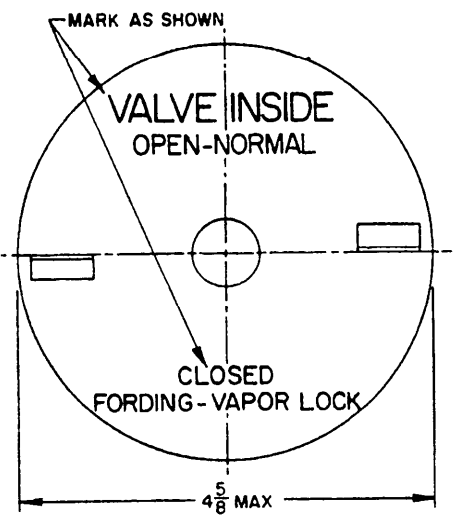


REVIEW ACTIVITY: ARMY - ME
 USER ACTIVITIES: ARMY - MI; NAVY - MC

FED. SUP CLASS
 2910



NOTES:

1. THIS CAP IS OF PROCUREMENT SPECIFICATION MIL-C-45300, TYPE II.
2. THE CAP IS TO BE USED WITH NECKS SHOWN ON MS 35644.
3. THE CHAIN SHALL BE OF RR-C-271, TYPE II, CLASS 6.
4. PROTECTIVE COATING: INTERIOR PARTS SHALL BE CADMIUM PLATED PER QQ-P-416, TYPE II, CLASS 2, OR ZINC PLATED PER QQ-Z-325, TYPE II, CLASS 2, AS APPLICABLE. COVER SURFACE SHALL BE CLEANED IN ACCORDANCE WITH THE APPLICABLE METHOD OF TT-C-490, THEN TREATED WITH TYPE I OR III OF THAT SPECIFICATION. THE SURFACE SHALL THEN BE PRIMED PER TT-P-636 AND PAINTED TO CONFORM TO TT-E-485.
5. TO MOVE THE VALVE OUT OF CLOSED OR OPEN POSITION, THE TORQUE SHALL NOT BE LESS THAN 10 INCH/OUNCES.
6. THE CAP SHALL WITHSTAND A MINIMUM OF 25 FOOT/POUNDS TORQUE WITHOUT ROTATION OF CUP ON INNER PLATE OR INNER PLATE ON SHELL.
7. UNLESS OTHERWISE SPECIFIED DIMENSIONS ARE IN INCHES. TOLERANCES: ±1/64 ON FRACTIONS, +.010 ON DECIMALS, +.3° ON ANGULAR DIMENSIONS.
8. FOR DESIGN FEATURE PURPOSES, THIS STANDARD TAKES PRECEDENCE OVER PROCUREMENT DOCUMENTS REFERENCED HEREIN.
9. REFERENCED DOCUMENTS SHALL BE OF THE ISSUE IN EFFECT ON THE DATE OF INVITATIONS FOR BID.
10. THIS STANDARD IS NOT INTENDED TO LIMIT CONSTRUCTION TO FEATURES OTHER THAN AS SHOWN HEREON BY DIMENSIONS, NOTATIONS OR REFERENCED DOCUMENTS.
11. MARKING SHALL CONSIST OF THE MS PART NUMBER AND THE MANUFACTURER'S IDENTIFICATION IN ACCORDANCE WITH MIL-STD-130.

This military standard is mandatory for use by all Departments and Agencies of the Department of Defense. Selection for all new engineering and design applications and for repetitive use shall be made from this document.

APPROVED 17 AUGUST 1955 REVISED (E) 23 MARCH 67 (E) 20 NOVEMBER 1972

(E) ENTIRE STANDARD REVISED

MS PART NO	STYLE	FORMER PART NO.
MS 35645-1	TABS	8333722
MS 35645-2	KNURLED	NONE

P A ARMY-AT	TITLE	MILITARY STANDARD MS 35645	
Other Cust	CAP, FUEL TANK: TACTICAL VEHICLE, FORDING		
AF-82		SHEET	OF
PROCUREMENT SPECIFICATION MIL-C-45300	SUPERSEDES		

DD FORM 672-1 (COORDINATED)

PREVIOUS EDITIONS OF THIS FORM ARE OBSOLETE

SPECIFICATION ANALYSIS SHEET		Form Approved Budget Bureau No. 22-R255
<p>INSTRUCTIONS: This sheet is to be filled out by personnel, either Government or contractor, involved in the use of the specification in procurement of products for ultimate use by the Department of Defense. This sheet is provided for obtaining information on the use of this specification which will insure that suitable products can be procured with a minimum amount of delay and at the least cost. Comments and the return of this form will be appreciated. Fold on lines on reverse side, staple in corner, and send to preparing activity. Comments and suggestions submitted on this form do not constitute or imply authorization to waive any portion of the referenced document(s) or serve to amend contractual requirements.</p>		
<p>SPECIFICATION MS35645, Rev. "F"</p>		
<p>ORGANIZATION</p>		
<p>CITY AND STATE</p>		<p>CONTRACT NUMBER</p>
<p>MATERIAL PROCURED UNDER A <input type="checkbox"/> DIRECT GOVERNMENT CONTRACT <input type="checkbox"/> SUBCONTRACT</p>		
<p>1. HAS ANY PART OF THE SPECIFICATION CREATED PROBLEMS OR REQUIRED INTERPRETATION IN PROCUREMENT USE? A. GIVE PARAGRAPH NUMBER AND WORDING.</p>		
<p>B. RECOMMENDATIONS FOR CORRECTING THE DEFICIENCIES</p>		
<p>2. COMMENTS ON ANY SPECIFICATION REQUIREMENT CONSIDERED TOO RIGID</p>		
<p>3. IS THE SPECIFICATION RESTRICTIVE? <input type="checkbox"/> YES <input type="checkbox"/> NO (If "yes", in what way?)</p>		
<p>4. REMARKS (Attach any pertinent data which may be of use in improving this specification. If there are additional papers, attach to form and place both in an envelope addressed to preparing activity)</p>		
<p>SUBMITTED BY (Printed or typed name and activity - Optional)</p>		<p>DATE</p>

DD FORM 1426
1 JAN 66

REPLACES EDITION OF 1 OCT 64 WHICH MAY BE USED.

FOLD

POSTAGE AND FEES PAID
DEFENSE SUPPLY AGENCY
DOD-314

DEFENSE SUPPLY AGENCY
OFFICIAL BUSINESS

Commander
U.S. Army Tank-Automotive Command
ATTN: AMSTA-RSEM
Warren, Michigan 48090

FOLD