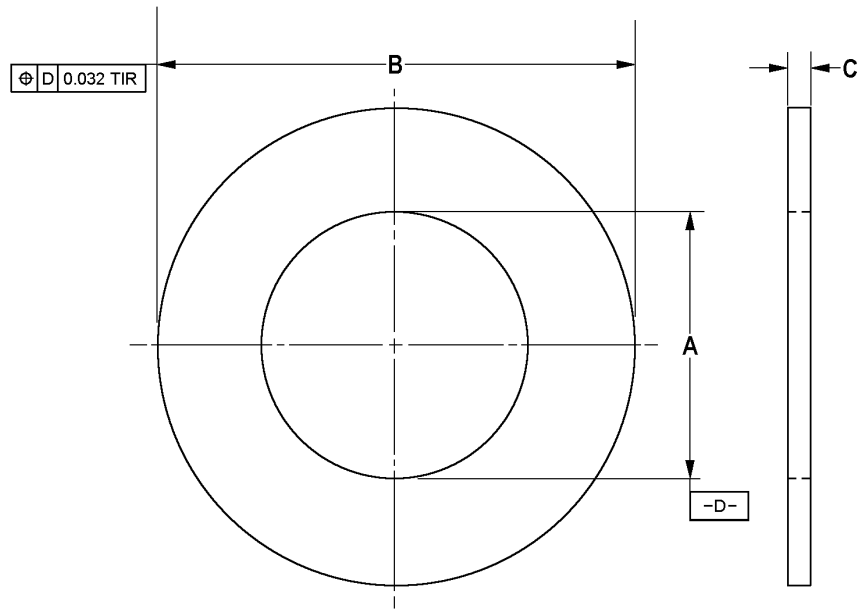


INCH-POUND
 MS35643D
 20 April 2011
 SUPERSEDING
 MS35643C
 07 December 1967

DETAIL SPECIFICATION SHEET
 GASKET: SYNTHETIC RUBBER, CAP,
 FUEL TANK

Inactive for new design after 22 January 1999.

This specification is approved for use by all Departments and Agencies of the Department of Defense.
 The requirements for acquiring the product described herein shall consist of this specification sheet.



PIN	A		B		C	
MS35643-1	3.531	(3-17/32)	4.250	(4-1/4)	0.125	(1/8)
MS35643-2	2.891	(2-57/64)	4.375	(4-3/8)	0.063	(1/16)
MS35643-3	1.375	(1-3/8)	1.688	(1-11/16)	0.125	(1/8)

Inches	mm	Inches	mm	Inches	mm
3.531	89.69	4.250	107.95	0.125	3.18
2.890625	73.42	4.375	111.13	0.0625	1.59
1.375	34.93	1.6875	42.86	0.125	3.18

NOTES:

1. Dimensions are in inches. Tolerances are $\pm 1/64$ on fractions, $\pm .015$ on decimals.
2. Metric equivalents are given for information only.

FIGURE 1. Gasket, synthetic rubber, cap, fuel tank.

MS35643D

REQUIREMENTS:

Material shall be of the following:

Synthetic rubber grade, durometer hardness number 70, tensile strength 500 psi, 3.5 MPa, minimum ultimate elongation 250 percent in accordance with ASTM-D2000.

Optional material: Synthetic rubber grade, durometer hardness number 60, tensile strength 1000 psi, 7.0 MPa, minimum ultimate elongation 250 percent in accordance with ASTM-D2000.

Marking shall consist of the Part or Identifying Number (PIN) and manufacturer's identification, and date of manufacture, in accordance with MIL-STD-190.

Shelf-life. This specification covers items where the assignment of a Federal shelf-life code is a consideration. Specific shelf-life requirements should be specified in the contract or purchase order, and should include, as a minimum, shelf-life code, shelf-life package markings in accordance with MIL-STD-129 or FED-STD-123, preparation of a materiel quality storage standard for type II (extendible) shelf-life items, and a minimum of 85 percent shelf-life remaining at time of receipt by the Government. These and other requirements, if necessary, are in DoD 4140.27-M, Shelf-life Management Manual. The shelf-life codes are in the Federal Logistics Information System Total Item Record. Additive information for shelf-life management may be obtained from DoD 4140.27-M, or the designated shelf-life Points of Contact (POC). The POC should be contacted in the following order: (1) the Inventory Control Points that manage the item and (2) the DoD Service and Agency administrators for the DoD Shelf-Life Program. Appropriate POCs for the DoD Shelf-Life Program can be contacted through the DoD Shelf-Life Management website: <https://www.shelflife.hq.dla.mil/>. Gaskets shown in this standard in which the gasket is over four (4) quarters old shall not be delivered to any government service, unless installed on equipment. Gaskets installed on equipment in which the gasket is over eight (8) quarters old shall not be delivered to any government service.

MS35643 gaskets are to be used with caps shown on MS35645, MS53075, and MS51300.

In the event of a conflict between the text of this specification sheet and the references cited herein, the text of this specification sheet shall take precedence.

PIN.

Example of a PIN: MS35643-1

Changes from previous issue. Marginal notations are not used in this revision to identify changes with respect to the previous issue due to the extent of the changes.

Referenced documents. This document references the following:

DoD 4140.27-M
FED-STD-123
MIL-STD-129
MIL-STD-190
MS35645
MS51300
MS53075
ASTM-D2000

MS35643D

CONCLUDING MATERIAL

Custodians:
Army – AT
Navy – MC
Air Force – 99
DLA – CC

Preparing activity:
DLA – CC

(Project 2910-2010-003)

Review activities:
Army – CR4, MI
Navy – SA, SH, YD
Air Force – 71

NOTE: The activities listed above were interested in this document as of the date of this document. Since organizations and responsibilities can change, you should verify the currency of the information above using the ASSIST Online database at <https://assist.daps.dla.mil>.