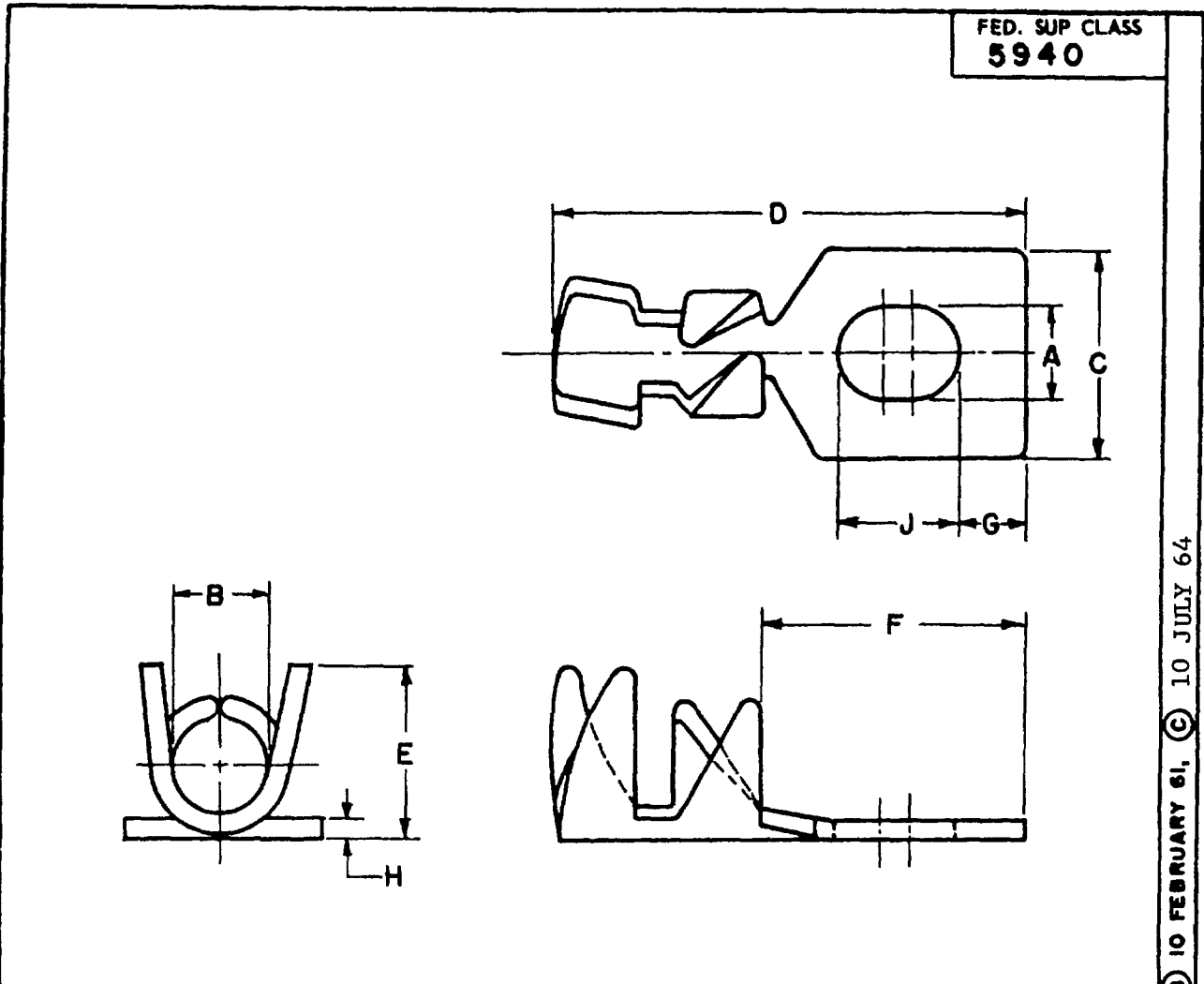


ARMY-EL, MO
NAVY-WP, YD
REVIEW INTEREST

NOTICE.—When Government drawings, specifications, or other data are used for any purpose other than in connection with a definitely related Government procurement operation, the United States Government thereby incurs no responsibility, nor any obligation whatsoever, and the fact that the Government may have furnished drawings, specifications, or other data is not to be regarded by implication or otherwise as in any manner increasing the liability of the holder or any other person or corporation, or conveying any rights or permission to manufacture, use, or sell any particular invention that may in any way be related thereto.

This military standard is approved by the Department of Defense and is mandatory on all activities. Selection for all new engineering and design applications and for repetitive use shall be made from this document.



FED. SUP CLASS
5940

DASH NO.	WIRE SIZE AWG NOM	STUD SIZE	A		B	C	D	E	F	G	H	J
			MIN	MAX								
2	20	2	.089	.096	.101	.180	.596	.156	.347	.073	.025	.095
3	18	6	.141	.153	.132	.297	.873	.250	.691	.083	.032	.188

TRANSFERRED -I TO MS35436-44 (C) (C)

MATERIAL: COPPER, ANNEALED—SPECIFICATION QQ-C-576.
FINISH: HOT TIN DIP OR ELECTRODEPOSITED TIN ALL OVER, MINIMUM THICKNESS .0005 INCHES.

- NOTES:**
- 1 ALL DIMENSIONS IN INCHES. TOLERANCE: DEC .010 UNLESS OTHERWISE SPECIFIED.
 2. REMOVE ALL BURRS.
 3. REFERENCED DOCUMENTS OF ISSUE IN EFFECT ON DATE OF INVITATION FOR BIDS SHALL APPLY.
 - 4 THE MS PART NUMBER CONSISTS OF THE MS NUMBER PLUS THE DASH NUMBER.

P A MU	TITLE	MILITARY STANDARD
Other Cust SHIPS	TERMINAL, LUG, SOLDER TYPE COPPER STAMPING, INSULATION GRIP, ELONGATED HOLE	MS35439
Procurement Specification MIL-T-15650	SUPERSEDES	SHEET OF

APPROVED 5 JULY 55
REVISED (A) 23 JULY 56, (B) 10 FEBRUARY 61, (C) 10 JULY 64