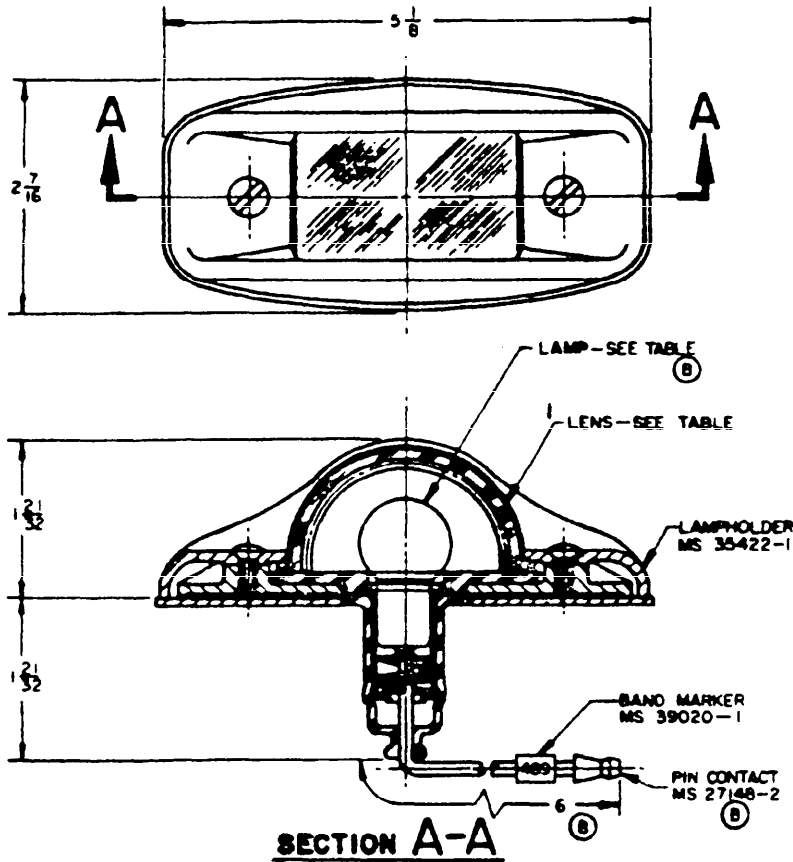


FED SUP CLASS  
6220

REVIEW ACTIVITY AF-84, 85  
USER ACTIVITIES NAVY-INC, WEPS, DOCKS



LIGHT		LENS		LAMP	
MS PART NO	FORMER PART NO	MS PART NO	COLOR (REF)	MS PART NO	VOLTS
MS 35423-1	ORD 7261915	MS 35421-1	AMBER	MS15570-125A	24
MS 35423-2	ORD 7261916	MS 35421-2	RED		
MS 35423-3	ORD 7411839	MS 35421-1	AMBER	MS15570-67	12
MS 35423-4	ORD 7411843	MS 35421-2	RED		

ⓑ

NOTES:

1. LIGHT MARKER, CLEARANCE, CLASS 1 (SERVICE) OF PROCUREMENT SPECIFICATION.
2. FOR DESIGN INFORMATION CONCERNING INSTALLATION, SEE MS 35422.
3. DIMENSIONS SHOWN ARE IN INCHES AND ARE FOR ENGINEERING REFERENCE ONLY.
4. FOR DESIGN FEATURE PURPOSES, THIS STANDARD TAKES PRECEDENCE OVER PROCUREMENT DOCUMENTS REFERENCED HEREIN.
5. REFERENCED DOCUMENTS SHALL BE OF THE ISSUE IN EFFECT ON DATE OF INVITATION FOR BIDS.

This military standard is approved by the Department of Defense and is mandatory on all activities. Substitution for all non-engineering and design applications and for repetitive use shall be made from this document.

P.A. MO (ATAC)	TITLE	MILITARY STANDARD
Other Cost	LIGHT, MARKER, CLEARANCE - SERVICE	MS 35423
Navy - MC		
AF - 84		
PROCUREMENT SPECIFICATION MIL-L-3976	SUPERSEDES	SHEET   OF

APPROVED 23 FEBRUARY 1955 REVISED 22 AUGUST 1962 5 FEBRUARY 1965