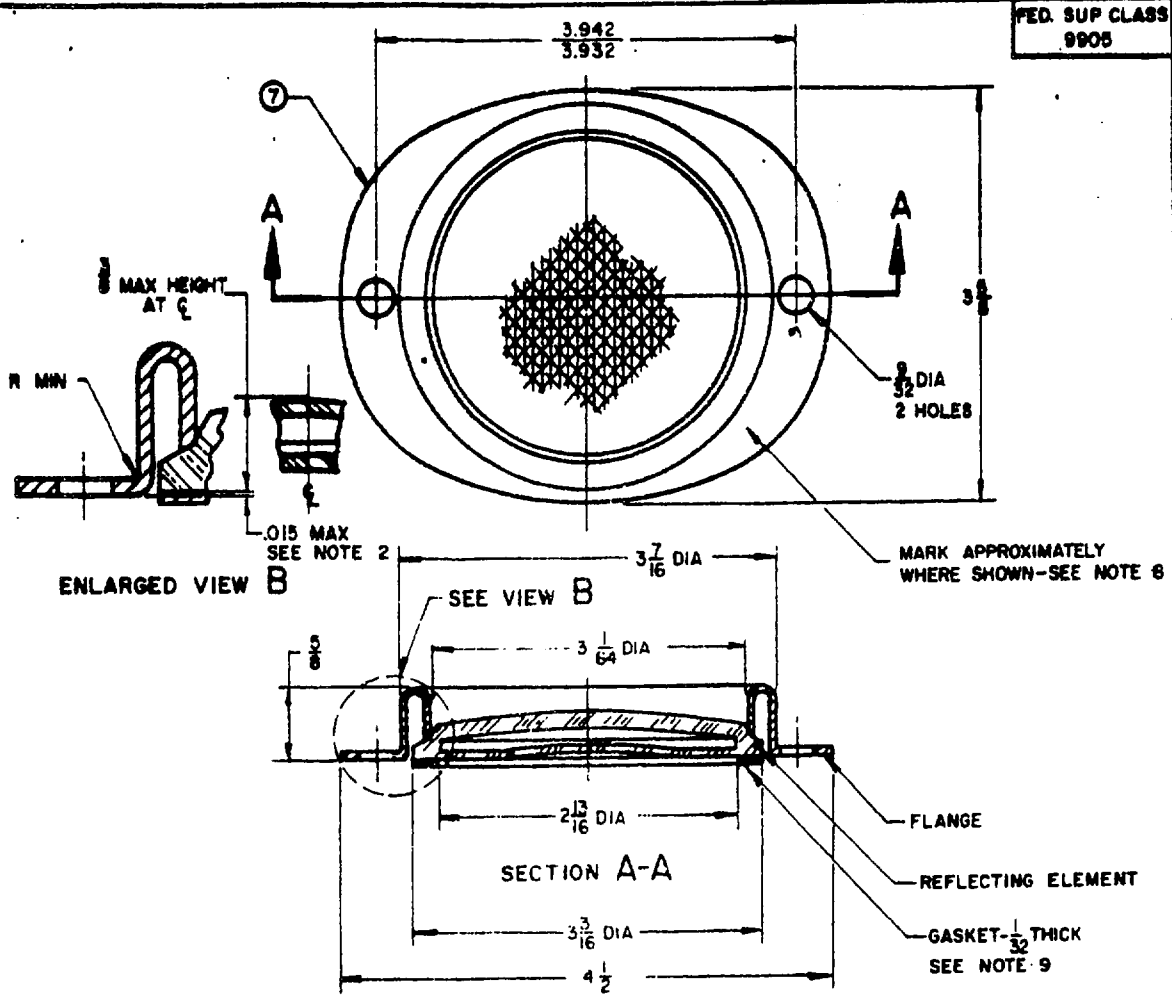


FED. SUP CLASS  
9905



MS PART NO	COLOR REFLECTING ELEMENT
MS 35387-1	RED
MS 35387-2	AMBER

NOTES:

- PERFORMANCE, FINISH, AND TESTS SHALL BE IN ACCORDANCE WITH PROCUREMENT SPECIFICATION.
- BASE OF REFLECTING ELEMENT SHALL BE FLUSH TO .015 INSIDE FLANGE MOUNTING SURFACE.
- UNLESS OTHERWISE SPECIFIED, DIMENSIONS ARE IN INCHES; TOLERANCES: ± 1/64 ON FRACTIONS.
- REFERENCED DOCUMENTS SHALL BE OF THE ISSUE IN EFFECT ON DATE OF INVITATION FOR BID.
- THIS STANDARD TAKES PRECEDENCE OVER PROCUREMENT DOCUMENTS REFERENCED HEREIN.
- THIS STANDARD IS NOT INTENDED TO LIMIT CONSTRUCTION, OTHER THAN TO FEATURES SHOWN HEREON BY DIMENSIONS, NOTATIONS, OR REFERENCED DOCUMENTS.
- PERIMETER MUST BE ELLIPSOIDAL WITHIN DIMENSIONS GIVEN.
- MARKING SHALL BE IN ACCORDANCE WITH MIL-STD-130.
- RUBBER, GRADE SC 610, SPECIFICATION MIL-R-3065.

ENTIRE STANDARD REVISED

CUSTOMARS RA. Ord Navy Docks AF- MOA	OTHER INT. A-CE, TC N-MC, Ships SI-	<b>MILITARY STANDARD</b> REFLECTOR, INDICATING, CLEARANCE	<b>MS 35387</b>
PROCUREMENT SPECIFICATION MIL-R-12144	SUPERSEDES:	SHEET 1 OF 1	

NOTICE: When Government drawings, specifications, or other data are used for any purpose other than in connection with a definitely related Government procurement operation, the United States Government, including any agency thereof, is not to be responsible in any way for any alterations, modifications, or other data, or for any use of such data, or for any infringement or other liability that may in any way be incurred thereby.

DD FORM 1 OCT 57 672-1

THIS MILITARY STANDARD IS APPROVED BY THE DEPARTMENT OF DEFENSE AND IS MANDATORY ON ALL ACTIVITIES. SELECTION FOR ALL NEW ENGINEERING AND DESIGN APPLICATIONS AND FOR REPETITIVE USE SHALL BE MADE FROM THIS DOCUMENT.

APPROVED 14 DEC. 1954 REVISED (A) 13 JAN 1959 (B) 20 JUNE 1961