

**MS 35342-1**

ⓓ

**REQUIREMENTS:**

1. TYPE I, CLASS 3 OF PROCUREMENT SPECIFICATION (OIL FILTER, HEAVY-DUTY, SENIOR SIZE-BASE MOUNTED).
2. SPRING TO BE SECURELY ATTACHED TO CENTER SCREW AND TO BE REMOVABLE FOR SERVICING CENTER SCREW GASKET.
3. CENTER TUBE TO EXTEND BEYOND ELEMENT AT ASSEMBLY.
4. GASKET SEAT AT CENTER SCREW TO BE 7/8 MAX. DIAMETER.
5. STEEL STAMP OR EMBOSS THE FOLLOWING INSTRUCTIONS: "REPLACE ELEMENT WITH MS35345-1". LETTERS AND NUMERALS SHALL BE 3/16 HIGH AND .015 MIN. DEPTH.
6. SCREW THREADS SHALL BE IN ACCORDANCE WITH FED-STD-H28/2.
7. MARKING SHALL CONSIST OF THE MS PART NUMBER AND MANUFACTURER'S IDENTIFICATION IN ACCORDANCE WITH MIL-STD-130.

ⓓ

**NOTES:**

1. UNLESS OTHERWISE SPECIFIED, DIMENSIONS ARE IN INCHES.
2. REFERENCED DOCUMENTS SHALL BE OF THE ISSUE IN EFFECT ON DATE OF INVITATION FOR BIDS.
3. THIS STANDARD IS NOT INTENDED TO LIMIT CONSTRUCTION TO FEATURES OTHER THAN AS SHOWN HEREON BY DIMENSIONS, NOTATIONS OR REFERENCED DOCUMENTS.
4. FOR DESIGN FEATURE PURPOSES, THIS STANDARD TAKES PRECEDENCE OVER PROCUREMENT DOCUMENTS REFERENCED HEREIN.
5. THE USE OF RECYCLED MATERIALS WHICH MEET THE REQUIREMENTS OF THE APPLICABLE MATERIAL SPECIFICATION WITHOUT JEOPARDIZING THE INTENDED USE OF THE ITEM SHALL BE ENCOURAGED.

ⓓ

ⓓ DENOTES CHANGES

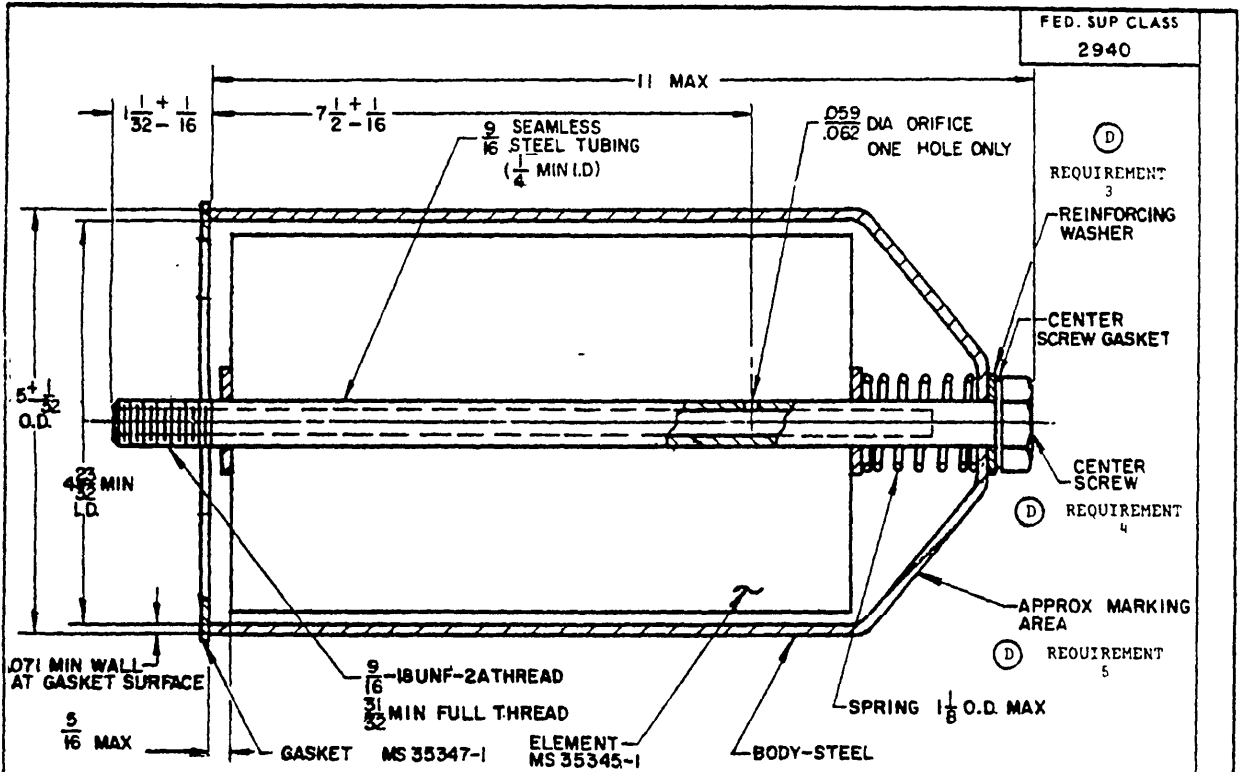
MS PART NO.	FORMER PART NO.
MS 35342-1	7088758
MS 35342-2	

This military standard is approved for use by all Departments and Agencies of the Department of Defense. Selection for all new engineering and design applications and for repetitive use shall be made from this document when applicable.

REVIEW ACTIVITIES: DLA-NS, NAVI-11  
USER ACTIVITIES: ARMY-AR, AV, PE, RI; NAVY-YD, NC

P. ARMY-AT Other Cust Navy-SH AF-99	International Interest STANAG 4016	TITLE <b>FILTER, FLUID PRESSURE: OIL, HEAVY-DUTY, BY-PASS TYPE SENIOR SIZE (BASE-MOUNTED)</b>	MILITARY STANDARD <b>MS 35342</b>
PROCUREMENT SPECIFICATION F-F-361	SUPSEDES:	SHEET 1 OF 2	

APPROVED 27 SEPTEMBER 1954 REVISED (A) 21 FEB 1962 (B) 3 DECEMBER 1963 (C) 16 MARCH 1967 (D) 12 DECEMBER 1979



FED. SUP CLASS  
2940

**MS 35342-2**

**REQUIREMENTS:**

1. TYPE I, CLASS 3 OF PROCUREMENT SPECIFICATION (OIL FILTER, HEAVY-DUTY, SENIOR SIZE-BASE MOUNTED). SAME AS TYPE III OIL FILTER (HEAVY DUTY, SENIOR SIZE-BASE MOUNTED) OF NATO STANAG 4016.
2. SPRING TO BE SECURELY ATTACHED TO CENTER SCREW AND TO BE REMOVABLE FOR SERVICING CENTER SCREW GASKET.
3. REINFORCING WASHER TO BE PERMANENTLY ATTACHED TO BODY.
4. GASKET SEAT AT CENTER SCREW TO BE 7/8 MAX. DIAMETER.
5. STEEL STAMP OR EMBOSS THE FOLLOWING INSTRUCTIONS. "REPLACE ELEMENT WITH MS35345-2". LETTERS AND NUMERALS SHALL BE 3/16 HIGH AND .015 MIN. DEPTH.
6. SCREW THREADS SHALL BE IN ACCORDANCE WITH FED-STD-H28/2.
7. MARKING SHALL CONSIST OF THE MS PART NUMBER AND MANUFACTURER'S IDENTIFICATION IN ACCORDANCE WITH MIL-STD-130.

**NOTES:**

1. UNLESS OTHERWISE SPECIFIED, DIMENSIONS ARE IN INCHES.
2. REFERENCED DOCUMENTS SHALL BE OF THE ISSUE IN EFFECT ON DATE OF INVITATION FOR BIDS.
3. THIS STANDARD IS NOT INTENDED TO LIMIT CONSTRUCTION TO FEATURES OTHER THAN AS SHOWN HEREON BY DIMENSIONS, NOTATIONS OR REFERENCED DOCUMENTS.
4. FOR DESIGN FEATURE PURPOSES, THIS STANDARD TAKES PRECEDENCE OVER PROCUREMENT DOCUMENTS REFERENCED HEREIN.
5. THE USE OF RECYCLED MATERIALS WHICH MEET THE REQUIREMENTS OF THE APPLICABLE MATERIAL SPECIFICATION WITHOUT JEOPARDIZING THE INTENDED USE OF THE ITEM SHALL BE ENCOURAGED.

**DISCLAIMER:**

CERTAIN PROVISIONS OF MS35342-2 ARE THE SUBJECT OF INTERNATIONAL AGREEMENT NATO STANAG 4016. WHEN REVISION OR CANCELLATION OF THIS STANDARD IS PROPOSED, WHICH WILL AFFECT OR VIOLATE THE INTERNATIONAL AGREEMENT CONCERNED, THE PREPARING ACTIVITY WILL TAKE APPROPRIATE RECONCILIATION ACTION THROUGH INTERNATIONAL STANDARDIZATION CHANNELS, INCLUDING DEPARTMENTAL STANDARDIZATION OFFICES, IF REQUIRED.

APPROVED - 27 SEPTEMBER 54 REVISED - (D) FOR CHANGES SEE SHEETS 1 AND 2

P.A. Other Cost	International Interest	FILTER, FLUID PRESSURE: OIL, HEAVY-DUTY, BY-PASS TYPE SENIOR SIZE (BASE - MOUNTED)	MILITARY STANDARD
			MS 35342
PROCUREMENT SPECIFICATION	SUPERSEDES		SHEET 2 OF 2