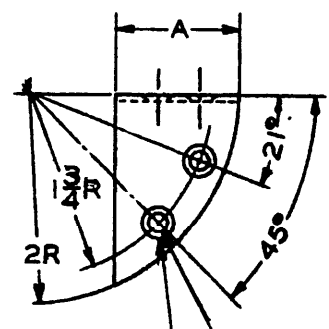
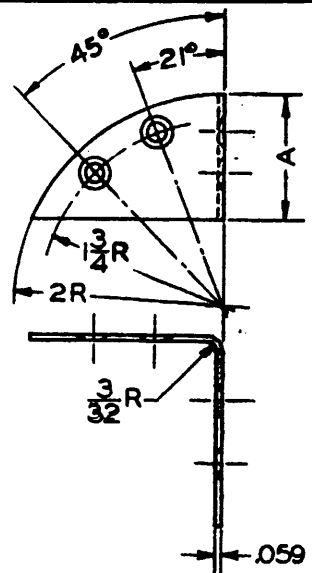


Reviewer/user information is current as of the date of this document. For future coordination of changes to this document, draft circulation should be based on the information in the current DODISS (FSC listing).
 AF 82/ 85/ Navy YD/ Army EL/

FED. SUP CLASS
5340



FINISH: BRASS - PLAIN

C-COUNTERSINK B-DIA 4-HOLES

STEEL-ZINC PLATED CLASS 2, TYPE III PER FEDERAL SPECIFICATION QQ-2-325

OR CADMIUM PLATED TYPE III, CLASS 1 PER FEDERAL SPECIFICATION QQ-P-416

MS PART NO.	DIMENSIONS			MATERIAL AND SPECIFICATION
	A LENGTH	B DIA	C COUNTERSINK	
MS35261-1	1 3/16	.180	82° TO 21/64 + 1/64 DIA	BRASS
MS35261-2	1 3/16	.180	NONE	PER FED SPEC QQ-B-613
MS35261-3	1 3/16	.152	82° TO 9/32 + 1/64 DIA	COMPOSITION 2
MS35261-4	1 3/16	.152	NONE	HALF HARD
MS35261-5	1 3/16	.180	82° TO 21/64 + 1/64 DIA	STEEL
MS35261-6	1 3/16	.180	NONE	PER FED SPEC QQ-3-698
MS35261-7	1 3/16	.152	82° TO 9/32 + 1/64 DIA	COLD ROLLED COMMERCIAL QUALITY NO. 2 TEMPER
MS35261-8	1 3/16	.152	NONE	NO. 1 FINISH

(A1)
(A2)

This military standard has been approved by the Department of Defense and is mandatory for use by all Departments and Agencies of the Department of Defense. Selection for all new engineering and design applications and for repetitive use shall be made from this document.

TOLERANCES ON FRACTIONS ±1/64, ON DECIMALS ±.005, ON ANGLES ±1°, UNLESS OTHERWISE SPECIFIED.

ALL DIMENSIONS IN INCHES

P.A. EL Other Cust YD 82	TITLE BRACE, CORNER, FOR 2 QUARTER-ELLIPTICAL FLANGES, 4 MOUNTING HOLES	MILITARY STANDARD MS35261
PROCUREMENT SPECIFICATION NONE	SUPERSEDES:	SHEET 1 OF 1

APPROVED 19 JUNE 1963 REVISED (A) 2 Nov 67