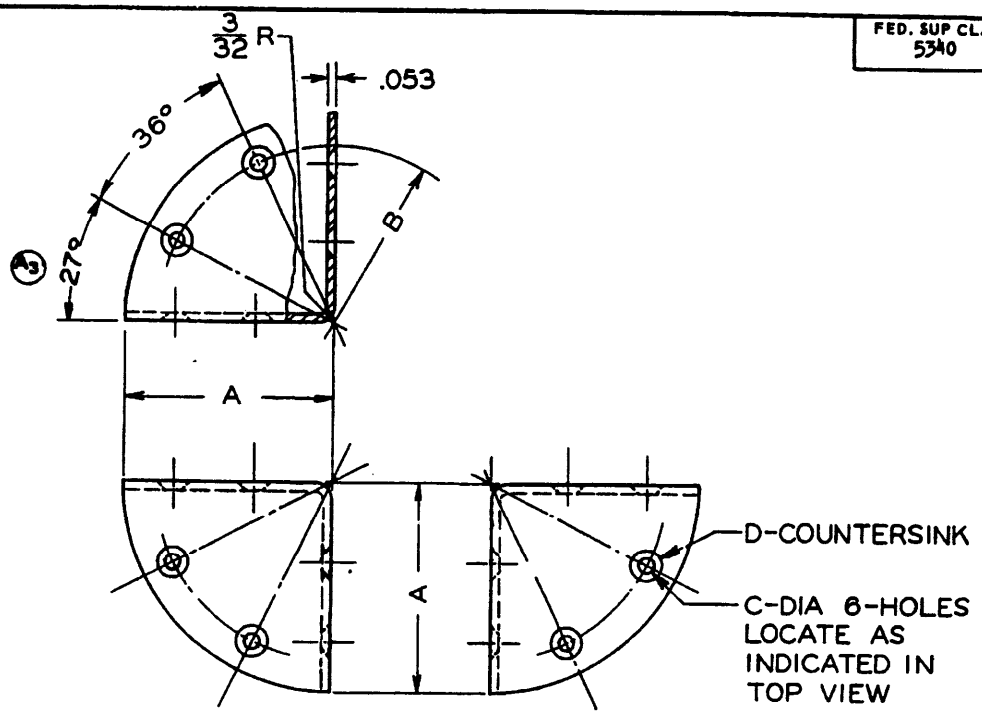


FED. SUP CLASS
5340

Reviewer/user information is current as of the date of this document. For future coordination of changes to this document, draft circulation should be based on the information in the current DODISS (FSC listing).
AF 82/ 85f
Army RLF
Navy YDF



FINISH: BRASS-PLAIN
STEEL-ZINC PLATED CLASS 2 , TYPE III PER FEDERAL SPECIFICATION QQ-Z-325
OR CADMIUM PLATED TYPE III, CLASS 1 PER FEDERAL SPECIFICATION QQ-P-416

MS PART NO.	DIMENSIONS				MATERIAL AND SPECIFICATION
	A LENGTH	B RADIUS	C DIA	D COUNTERSINK	
MS35259-1	2	1-11/16	.180	82° TO 21/64 + 1/64 DIA	BRASS PER FED SPEC QQ-B-613 COMPOSITION 2 HALF HARD (A1)
MS35259-2	2	1-11/16	.180	NONE	
MS35259-3	2	1-11/16	.152	82° TO 9/32 + 1/64 DIA	
MS35259-4	2	1-11/16	.152	NONE	
MS35259-5	1-1/2	1-3/16	.180	82° TO 21/64 + 1/64 DIA	
MS35259-6	1-1/2	1-3/16	.180	NONE	
MS35259-7	1-1/2	1-3/16	.152	82° TO 9/32 + 1/64 DIA	
MS35259-8	1-1/2	1-3/16	.152	NONE	
MS35259-9	2	1-11/16	.180	82° TO 21/64 + 1/64 DIA	STEEL PER FED SPEC QQ-S-698 COLD ROLLED COMMERCIAL QUALITY NO. 2 TEMPER NO. 1 FINISH (A2)
MS35259-10	2	1-11/16	.180	NONE	
MS35259-11	2	1-11/16	.152	82° TO 9/32 + 1/64 DIA	
MS35259-12	2	1-11/16	.152	NONE	
MS35259-13	1-1/2	1-3/16	.180	82° TO 21/64 + 1/64 DIA	
MS35259-14	1-1/2	1-3/16	.180	NONE	
MS35259-15	1-1/2	1-3/16	.152	82° TO 9/32 + 1/64 DIA	
MS35259-16	1-1/2	1-3/16	.152	NONE	

TOLERANCES ON FRACTIONS $\pm 1/64$, ON DECIMALS $\pm .005$, ON ANGLES $\pm 1^\circ$, UNLESS OTHERWISE SPECIFIED:
 ALL DIMENSIONS IN INCHES

This military standard has been approved by the Department of Defense and is mandatory for use by all Departments and Agencies of the Department of Defense. Selection for all new engineering and design applications and for repetitive use shall be made from this document.

P.A. Other Cust XL YD 82	TITLE BRACE, CORNER, BOX, 3 QUARTER-ROUND FLANGES, 6 MOUNTING HOLES	MILITARY STANDARD MS35259
PROCUREMENT SPECIFICATION NONE	SUPERSEDES:	SHEET 1 OF 1

APPROVED 19 JUNE 1953 REVISED (A) 2 Nov 67