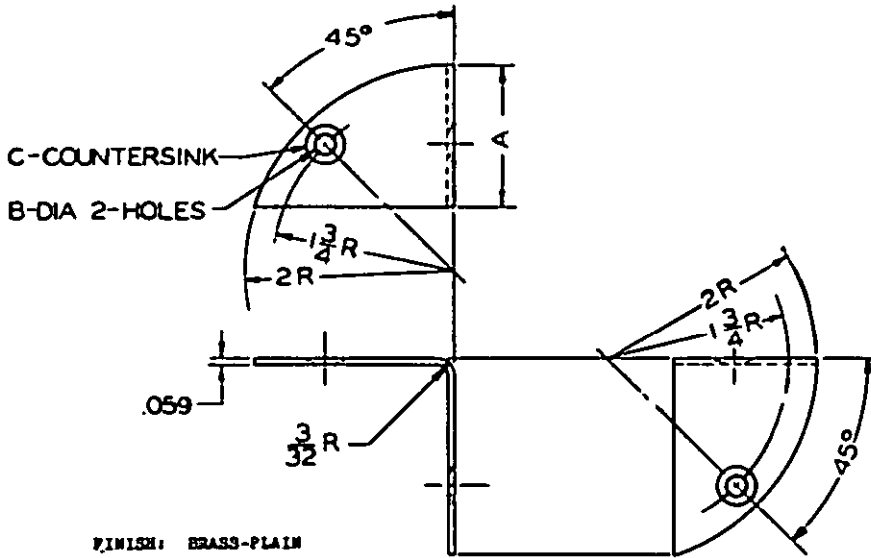


FED. SUP CLASS  
5340



FINISH: BRASS-PLAIN

STEEL-ZINC PLATED CLASS 2, TYPE III PER FEDERAL SPECIFICATION QQ-3-325

OR CADMIUM PLATED TYPE III, CLASS 1 PER FEDERAL SPECIFICATION QQ-P-416

NO PART NO.	DIMENSIONS			MATERIAL AND SPECIFICATION
	A LENGTH	B DIA	C COUNTERSINK	
MS35257-1	1 3/8	.204	82° TO 3/8 +1/64 DIA	BRASS PER FED SPEC QQ-B-613 COMPOSITION 2 HALF HARD
MS35257-2	1 3/8	.204	NONE	
MS35257-3	1 3/8	.180	82° TO 21/64 +1/64 DIA	
MS35257-4	1 3/8	.180	NONE	
MS35257-5	1 1/4	.204	82° TO 3/8 +1/64 DIA	
MS35257-6	1 1/4	.204	NONE	
MS35257-7	1 1/4	.180	82° TO 21/64 +1/64 DIA	
MS35257-8	1 1/4	.180	NONE	
MS35257-9	1 1/8	.204	82° TO 3/8 +1/64 DIA	
MS35257-10	1 1/8	.204	NONE	
MS35257-11	1 1/8	.180	82° TO 21/64 +1/64 DIA	
MS35257-12	1 1/8	.180	NONE	
MS35257-13	1 3/8	.204	82° TO 3/8 +1/64 DIA	
MS35257-14	1 3/8	.204	NONE	
MS35257-15	1 3/8	.180	82° TO 21/64 +1/64 DIA	
MS35257-16	1 3/8	.180	NONE	
MS35257-17	1 1/4	.204	82° TO 3/8 +1/64 DIA	
MS35257-18	1 1/4	.204	NONE	
MS35257-19	1 1/4	.180	82° TO 21/64 +1/64 DIA	
MS35257-20	1 1/4	.180	NONE	
MS35257-21	1 1/8	.204	82° TO 3/8 +1/64 DIA	
MS35257-22	1 1/8	.204	NONE	
MS35257-23	1 1/8	.180	82° TO 21/64 +1/64 DIA	
MS35257-24	1 1/8	.180	NONE	

TOLERANCES ON FRACTIONS ± 1/64, ON DECIMALS ± .005, ON ANGLES ± 1°. UNLESS OTHERWISE SPECIFIED.

ALL DIMENSIONS IN INCHES /

P.A. Other Cost 82	EL YD	TITLE BRASS, COPPER, BOX, LARGE, 2 QUARTER-ELLIPSE PLANKS, 2 MOUNTING HOLES	MILITARY STANDARD <b>MS35257</b>
PROCUREMENT SPECIFICATION NONE	SUPERSEDES:	SHEET 1 OF 1	

Reviewer/your information is correct as of the date of this document. For future consideration of changes to  
 this document, each circulation should be based on the information in the current DODDIS (FSC listing).  
 AF 82/ 85/ Army, EL/ Navy, YD/

This military standard has been approved by the Department of Defense and is mandatory for  
 use by all Departments and Agencies of the Department of Defense. Selection for all new  
 engineering and design applications and for replacement use shall be made from this document.

APPROVED 10 JUNE 1953 REVISED (A) 2 NOV 67