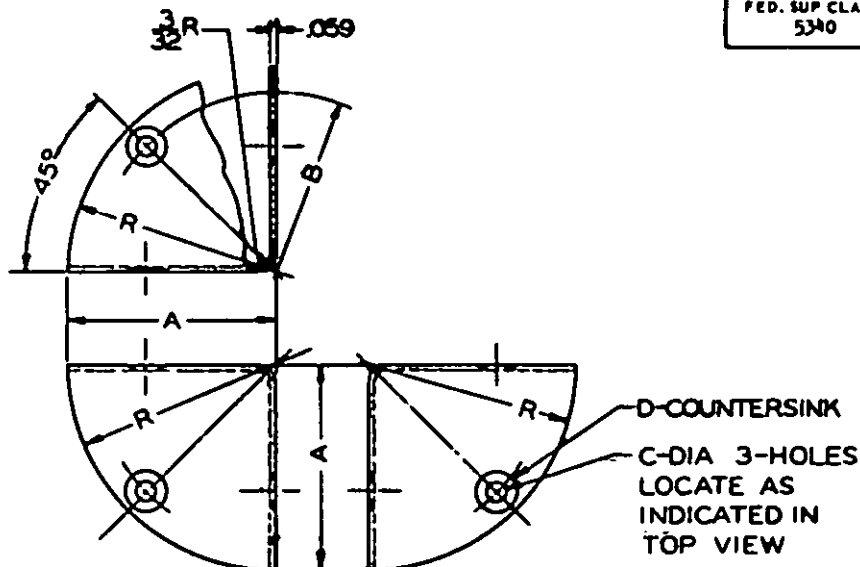


Reviewer/over information is current as of the date of this document. For future consideration of changes to this document, draft circulation should be based on the information in the current DDG153 (PSC listing).
 AF 82/ 85/ MAY YD/ ARZ EI/



FINISH: BRASS-PLATE

STEEL-SINE PLATED CLASS 2, TYPE III PER FEDERAL SPECIFICATION QQ-2-325
 OR CASSINI PLATED TYPE III, CLASS 1 PER FEDERAL SPECIFICATION QQ-2-415

PART NO.	DIMENSIONS				MATERIAL AND SPECIFICATION
	A LENGTH	B RADIUS	Ø DIA	D COUNTERSINK	
MS3525A-1	2	1 3/8	.208	82° TO 3/8 + 1/64 DIA	BRASS PER FED SPEC QQ-B-613 COMPOSITION 2 HALF HARD (A1)
MS3525A-2	2	1 3/8	.208	NONE	
MS3525A-3	2	1 3/8	.100	82° TO 21/64 + 1/64 DIA	
MS3525A-4	2	1 3/8	.180	NONE	
MS3525A-5	1 1/2	1 1/8	.180	82° TO 21/64 + 1/64 DIA	
MS3525A-6	1 1/2	1 1/8	.180	NONE	
MS3525A-7	1 1/2	1 1/8	.152	82° TO 9/32 + 1/64 DIA	
MS3525A-8	1 1/2	1 1/8	.152	NONE	
MS3525A-9	1 1/2	1	.152	82° TO 9/32 + 1/64 DIA	
MS3525A-10	1 1/2	1	.152	NONE	
MS3525A-11	1 1/2	1	.128	82° TO 7/32 + 1/64 DIA	
MS3525A-12	1 1/2	1	.128	NONE	
MS3525A-13	1 1/2	7/8	.128	82° TO 7/32 + 1/64 DIA	
MS3525A-14	1 1/2	7/8	.128	NONE	
MS3525A-15	2	1 3/8	.208	82° TO 3/8 + 1/64 DIA	STEEL PER FED SPEC QQ-3-698 COLD ROLLED COMMERCIAL QUALITY NO. 2 TEMPER NO. 1 FINISH (A2)
MS3525A-16	2	1 3/8	.208	NONE	
MS3525A-17	2	1 3/8	.180	82° TO 21/64 + 1/64 DIA	
MS3525A-18	2	1 3/8	.180	NONE	
MS3525A-19	1 1/2	1 1/8	.180	82° TO 21/64 + 1/64 DIA	
MS3525A-20	1 1/2	1 1/8	.180	NONE	
MS3525A-21	1 1/2	1 1/8	.152	82° TO 9/32 + 1/64 DIA	
MS3525A-22	1 1/2	1 1/8	.152	NONE	
MS3525A-23	1 1/2	1	.152	82° TO 9/32 + 1/64 DIA	
MS3525A-24	1 1/2	1	.152	NONE	
MS3525A-25	1 1/2	1	.128	82° TO 7/32 + 1/64 DIA	
MS3525A-26	1 1/2	1	.128	NONE	
MS3525A-27	1 1/2	7/8	.128	82° TO 7/32 + 1/64 DIA	
MS3525A-28	1 1/2	7/8	.128	NONE	

TOLERANCES ON FRACTIONS ± 1/64, ON DECIMALS ± .005, ON ANGLES ± 1°, UNLESS OTHERWISE SPECIFIED.

ALL DIMENSIONS IN INCHES

P.A. Other Cost YL YD 82	TITLE BRASS, COUNTER, SINE, 3 COUNTER/SINKED PLATING, 3 HOLES	MILITARY STANDARD MS35254
PROCUREMENT SPECIFICATION NONE	SUPERSEDES:	SHEET 1 OF 1

APPROVED BY JUNE 1955 REVISED (A) 2 Nov 67