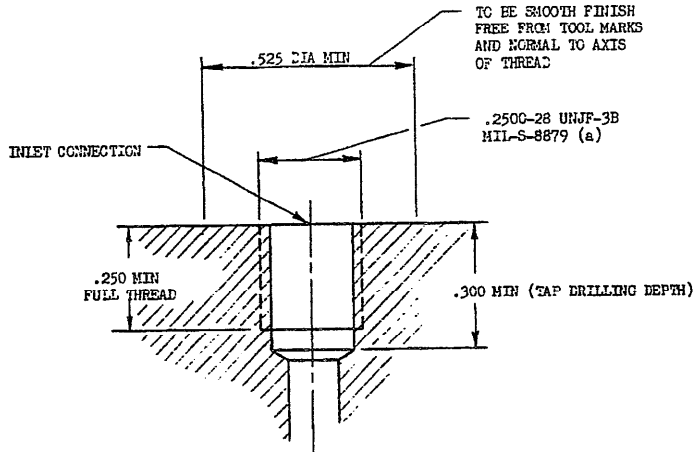


FED. SUP CLASS  
1620



(a) THREADS IN ACCORDANCE WITH MIL-S-8879

NOTES:

1. DIMENSIONS IN INCHES UNLESS OTHERWISE SPECIFIED.
2. INTERNATIONAL INTEREST:  
CERTAIN PROVISIONS (MATING FEATURES) OF THIS STANDARD ARE THE SUBJECT OF INTERNATIONAL STANDARDIZATION AGREEMENT ASCC AIR STD 17/50. WHEN REVISION OR CANCELLATION OF THIS STANDARD IS PROPOSED, THE DEPARTMENTAL CUSTODIANS WILL INFORM THEIR RESPECTIVE DEPARTMENTAL STANDARDIZATION OFFICES SO THAT APPROPRIATE ACTION MAY BE TAKEN RESPECTING THE INTERNATIONAL AGREEMENT CONCERNED.

THIS IS A DESIGN STANDARD AND SHALL NOT BE USED AS A PART NUMBER.

FOR DESIGN FEATURE PURPOSES, THIS STANDARD TAKE PRECEDENCE OVER PROCUREMENT DOCUMENT'S REFERENCE HEREIN. REFERENCED DOCUMENTS SHALL BE OF THE ISSUE IN EFFECT ON DATE OF INVITATIONS FOR BID.

User activities:

Review activities:  
Army - AV  
Navy - AS  
USAF - 11  
USAF - 70

This military standard is approved by the Department of Defense and is mandatory on all activities. Selection for all new engineering and design applications and for repetitive use shall be made from this document.

APPROVED 12 May 1969 REVISED

P.A. Navy - AS Other Cast USAF - 11 Army - AV	INTERNATIONAL INTEREST	TITLE  LIQUID SPRING UNDERCARRIAGE UNIT - OIL REPLENISHMENT CONNECTION FOR	MILITARY STANDARD	
	SEE NOTE		MS33788	
PROCUREMENT SPECIFICATION NONE	SUPERSEDES:	SHEET 1 OF 1		