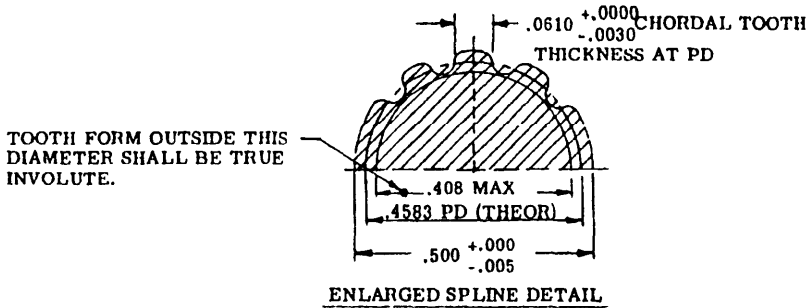
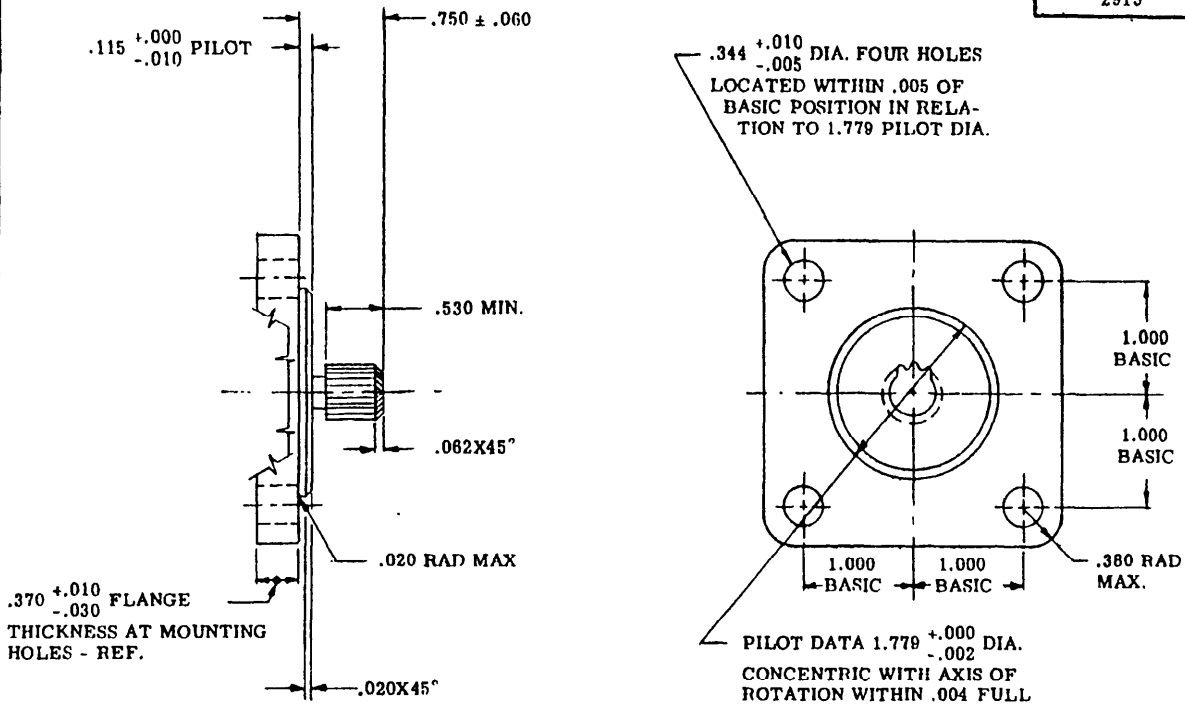


FED. SUP CLASS  
2915

NOTICE - REVIEW/USER INFORMATION IS CURRENT AS OF DATE OF THIS DOCUMENT. FOR FUTURE COORDINATION OF CHANGES TO THIS DOCUMENT, DRAFT CIRCULATION SHOULD BE BASED ON THE INFORMATION IN THE CURRENT DODISS.

REVIEW INTEREST:

ARMY-MO NAVY-WEP AIR FORCE-SAAMA  
AIR FORCE-ASD



SPLINE DATA

11 TEETH  
24/48 PITCH  
30° PRESSURE ANGLE  
SURFACE HARDNESS  
ROCKWELL C55 MAX.

NOTES:

1. FLANGE OUTLINE AS DIMENSIONED IS A BASIC MAXIMUM PAD AREA REQUIREMENT.
2. REMOVE ALL BURRS AND SHARP EDGES .003 - .015
3. FOR DETAIL OF TYPE XIII ENGINE DRIVE SEE AND20003.
4. DIMENSIONS IN INCHES. UNLESS OTHERWISE SPECIFIED, TOLERANCES: DECIMALS ±.010, ANGLES ±2°
5. THIS DRAWING AND THE APPLICABLE ACCESSORY SPECIFICATIONS, TOGETHER, COMPLETELY DEFINE THE DESIGN REQUIREMENTS FOR ACCESSORY MOUNTING FLANGES INTENDED FOR AND20003 (TYPE XIII) DRIVES.
6. THIS IS A DESIGN STANDARD, NOT TO BE USED AS A PART NUMBER.
7. FOR WRENCH CLEARANCES, DRAIN BOSSES, ETC., SEE APPLICABLE MILITARY STANDARDS FOR THE ACCESSORY.

This military standard is approved by the Department of Defense and is mandatory on all activities. Selection for all new engineering and design applications and for repetitive use shall be made from this document.

APPROVED 12 SEPT 63 REVISED

P.A. NAVY-WEPS Other Cust ARMY-MO AIR FORCE-ASD	TITLE FLANGE, ACCESSORY MOUNTING	MILITARY STANDARD MS33751
PROCUREMENT SPECIFICATION NONE	SUPERSEDES:	SHEET 1 OF 1