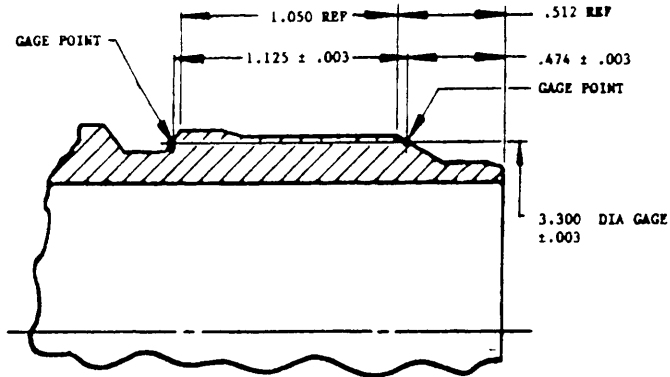
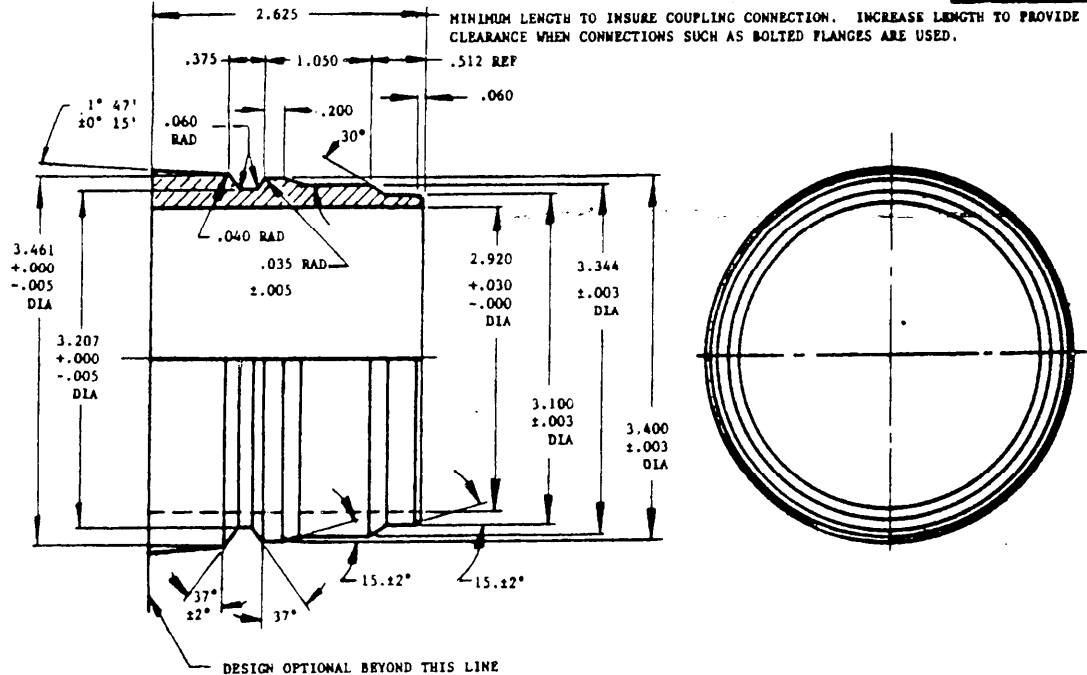


FED. SUP CLASS  
4730



SECTIONAL VIEW SHOWING  
DIMENSIONS SCALE - TWO TIMES SIZE

1. MATERIAL: BAR: CORROSION RESISTANT STEEL (18-8) COMP FM, AISI TYPE NO. 303, SPEC MIL-S-7720 OR CASTING: CORROSION RESISTANT STEEL (18-8) TYPE NO. 303. PASSIVATE AFTER MACHINING.
2. RHR 125 ON OUTSIDE SURFACE, USAS B46.1 - 1962.
3. REMOVE BURRS AND BREAK SHARP EDGES .015 MAX.
4. DIMENSIONS IN INCHES. UNLESS OTHERWISE SPECIFIED, TOLERANCES: DECIMALS .010, ANGLES 30'.
5. UNLESS OTHERWISE SPECIFIED, ALL FILLETS TO VE .020 RAD.
6. 3.207, 3.100, 3.344, 3.400 and 3.461 DIAS SHALL BE CONCENTRIC WITHIN .002 TIR.
7. 2.920 INSIDE DIA SHALL BE CONCENTRIC WITH ABOVE DIAS WITHIN .010 TIR.
8. POROSITY TEST: FINISHED CASTINGS SHALL NOT LEAK WHEN SUBJECTED TO 100 PSI AIR PRESSURE AND SUBMERGED IN WATER FOR 3 MINUTES.
9. INSTALLATION: WHEN INSTALLED, SPACE SURROUNDING THE NIPPLE SHALL BE FREE OF ANY OBSTRUCTION AS SHOWN ON SHEET 2.

10. CERTAIN PROVISIONS OF THIS DOCUMENT ARE THE SUBJECT OF INTERNATIONAL STANDARDIZATION AGREEMENTS ASCC AIR STD 18/2 AND NATO STANAG 3372. WHEN CHANGE NOTICE, REVISION, OR CANCELLATION OF THIS DOCUMENT IS PROPOSED WHICH WILL AFFECT OR VIOLATE THE INTERNATIONAL AGREEMENT CONCERNED, THE PREPARING ACTIVITY SHALL TAKE APPROPRIATE RECONCILIATION ACTION THROUGH INTERNATIONAL STANDARDIZATION CHANNELS, INCLUDING DEPARTMENTAL STANDARDIZATION OFFICES, IF REQUIRED.

DISTRIBUTION STATEMENT A: Approved for public release; distribution is unlimited.

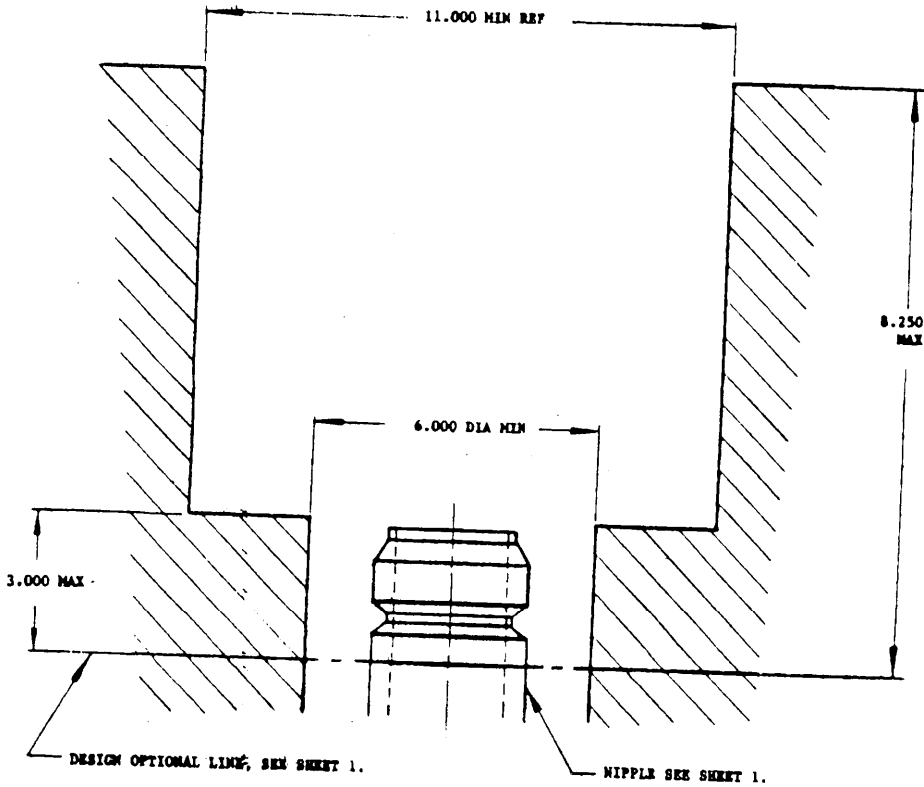
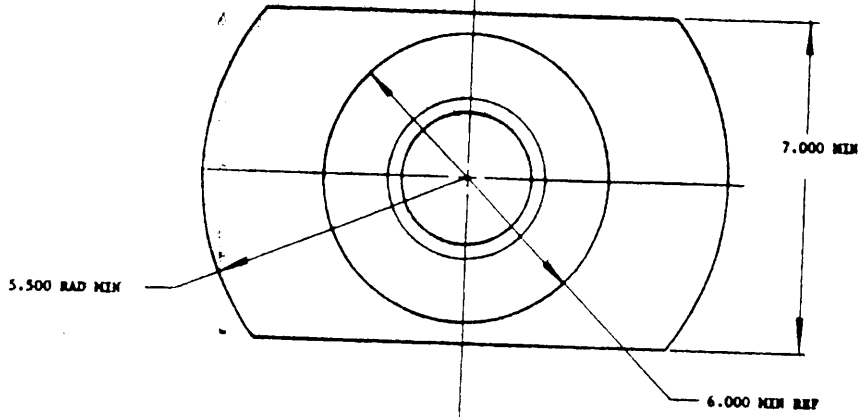
This military standard is approved by the Department of the Air Force and the Naval Air Systems Command and is mandatory for use by these activities. All other military activities are required to employ this standard where suitable.

Review activities:

Navy-AS  
USAF-

P. A. USAF-11 Other Cust Navy-AS	INTERNATIONAL INTEREST	TITLE	MILITARY STANDARD
	(SEE NOTE)	NIPPLE, PNEUMATIC STARTING, 3 INCH ID, OUTLINE DIMENSIONS OF	MS33740
PROCUREMENT SPECIFICATION NONE	SUPERCEDES: 5489301		SHEET 1 OF 2

FED. SUP CLASS  
4730



MINIMUM CLEARANCE SPACE FOR GROUND EQUIPMENT CONNECTOR.

APPROVED 16 Sep 60 REVISED ④ 3 Sep 69 ⑤ 3 Sep 85

This military standard is approved by the Department of the Air Force and the Naval Air Systems Command and is mandatory for use by these activities. All other military activities are required to employ this standard where suitable.

Review activities:  
Navy-AS  
USAF-

P. A. USAF-11 Other Cust Navy-AS	INTERNATIONAL INTEREST (SEE NOTE)	TITLE  NIPPLE, PNEUMATIC STARTING, 3 INCH ID, OUTLINE DIMENSIONS OF	MILITARY STANDARD <b>MS33740</b>
PROCUREMENT SPECIFICATION NONE	SUPERCEDÉS: 5489301		SHEET 2 of 2

DD FORM 672-1 (limited coordination)  
AND use only

PREVIOUS EDITIONS OF THIS FORM ARE OBSOLETE.