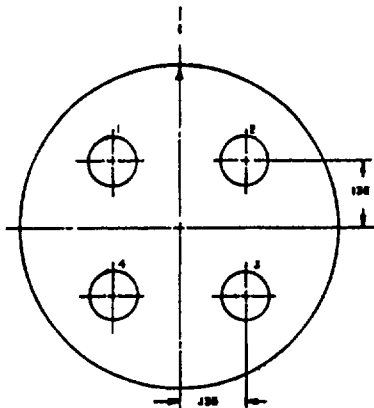
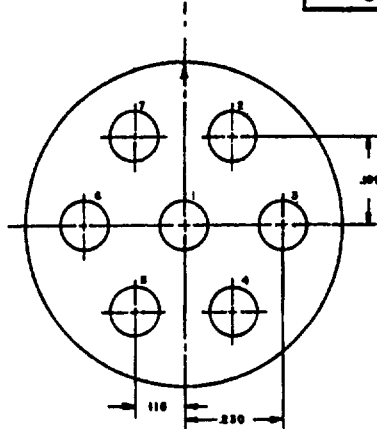


FED. SUP CLASS  
5935



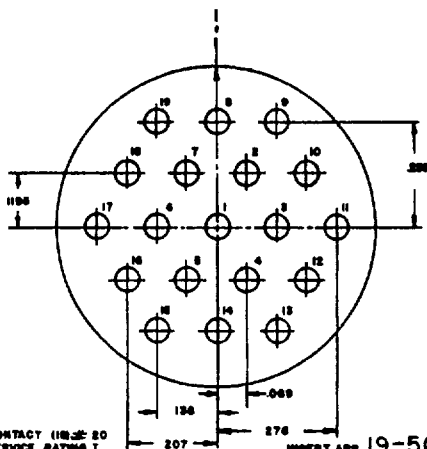
CONTACT (4)X 12  
SERVICE RATING 12

INSERT ARR 19-4



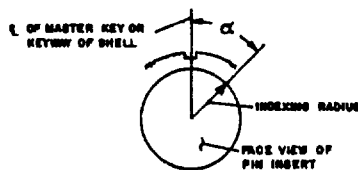
CONTACT (7)X 12  
SERVICE RATING 12

INSERT ARR 19-7



CONTACT (18)X 20  
SERVICE RATING I

INSERT ARR 19-50(C)



INSERT POSITION FIGURE

INSERT ARR	INSERT POSITIONS IN DEGREES (a)					
	NORMAL	W	X	Y	D	C
(C) 19-50	0°	(a)	(b)	78°	150°	228°
19-4	0°	(a)	(b)	22 1/2°	138°	247 1/2°
19-7	0°	(a)	(a)	78°	150°	228°

- (a) ↑ TO BE WITHIN .005 INCHES OF THE REQUIRED POSITION
- (b) THESE INSERT POSITIONS ARE NOT TO BE PROVIDED
- (c) INSERT ARR 19-50 SUPERSEDES AND IS INTERCHANGEABLE WITH INSERT ARR. 19

DIMENSIONS AND MARKINGS SHOWN ARE FOR FRONT FACE OF PIN INSERT (SOCKET INSERT OPPOSITE), UNLESS OTHERWISE INDICATED, DIMENSIONS ARE SYMMETRICAL ABOUT CENTERLINE

↑ INDICATES "MASTER KEY OR KEYWAY OF SHELL"

↑ INDICATES TERMINUS OF INDEXING RADIUS OF INSERT

IN NORMAL POSITION THE INDEXING RADIUS COINCIDES WITH  $\xi$  OF THE "MASTER KEY OR KEYWAY OF SHELL"

IN ALTERNATE POSITIONS THE PIN INSERT IS ROTATED  $\alpha$  DEGREES CLOCKWISE RELATIVE TO  $\xi$  OF THE MASTER KEY OR KEYWAY OF SHELL AS INDICATED

IN ALTERNATE POSITIONS THE SOCKET INSERT IS ROTATED  $\alpha$  DEGREES COUNTER-CLOCKWISE RELATIVE TO  $\xi$  OF THE MASTER KEY OR KEYWAY OF SHELL

DIMENSIONS IN INCHES ANGLES IN DEGREES TOLERANCES DECIMALS & .005

THIS IS A DESIGN STANDARD. NOT TO BE USED AS A PART NUMBER

FOR DESIGN FEATURE PURPOSES THIS STANDARD TAKES PRECEDENCE OVER PROCUREMENT DOCUMENTS REFERENCED HEREIN

REFERENCE DOCUMENTS SHALL BE OF THE ISSUE IN EFFECT ON DATE OF INVITATIONS FOR BID

RECEPTACLES (Ref)

MS3130	PLUGS (Ref)
MS3132	MS3137
MS3134	MS3138
MS3139	MS3147
MS3140	MS3148
MS3143	MS3446
MS3144	MS3467
MS3145	MS3468
MS3149	MS3445
MS3424	
MS3463	
MS3464	
MS3466	
MS3469	

This standard has been approved by the Department of the NAVY and is mandatory for use by that activity. All other military activities are required to employ this standard where suitable.

P A NAVY-AS Other Cust	International Interest	TITLE	MILITARY STANDARD
		INSERT ARRANGEMENTS, ELECTRIC CONNECTOR, SHELL SIZE 19	MS 3370I (NAVY)
Procurement Specification MIL-C-81703		SUPERSEDES	SHEET 1 OF 2

DD FORM 672  
10 APR 64

PREVIOUS EDITIONS OF THIS FORM ARE OBSOLETE

5935-N668-20

(Limited Coordination)

APPROVED 14 MAY 59 REVISED A 28 FEB 61 B 8 SEPT 62 C 1 OCT 62 D 1 JUL 64 E 1 NOV 1965 F 31 OCT 1969 G 21 July 1971

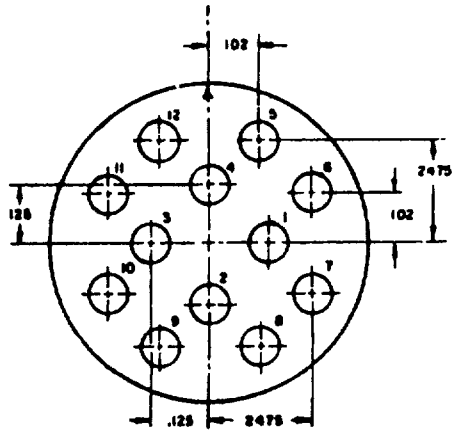
FED SUP CLASS  
5935

CONTACTS  
SERVICE RATING

INSERT ARR -

CONTACTS  
SERVICE RATING

INSERT ARR -

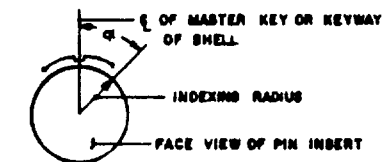


CONTACTS (12) # 16  
SERVICE RATING

INSERT ARR 19-12

CONTACTS  
SERVICE RATING

INSERT ARR -



INSERT POSITION FIGURE

INSERT ARR	ALTERNATE POSITIONS						
	NORMAL	W	E	Y	Z	O	C
19-12	0°	20°	60°	70°	(a)	180°	220°

- (a) ↑ TO BE WITHIN .005 INCH OF THE REQUIRED POSITION  
 (b) THESE INSERT POSITIONS ARE NOT TO BE PROVIDED
- NOTES:

APPROVED 14 MAY 59 REVISE (E) FOR CHANGES SEE SHEET 1 (C) 21 July 1971

This standard has been approved by the Department of the NAVY and is mandatory for use by their activity. All other military activities are required to comply with this standard where suitable.

P A NAVY-AS Other Cust	International Interest	TITLE INSERT ARRANGEMENT, ELECTRIC CONNECTOR, SHELL SIZE 19	MILITARY STANDARD MS 3370(NAVY)
Procurement Specification MIL-C-81703		SUPERSEDES:	SHEET 2

DD FORM 672  
10 APR 64

PREVIOUS EDITIONS OF THIS FORM ARE OBSOLETE

(Limited Coordination)