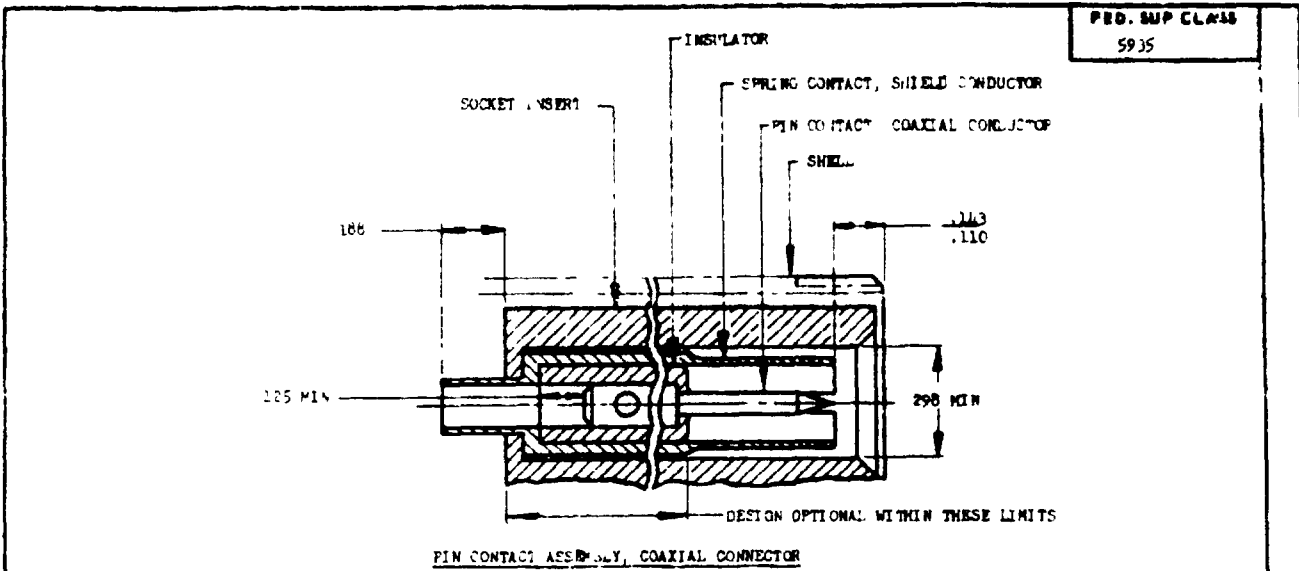
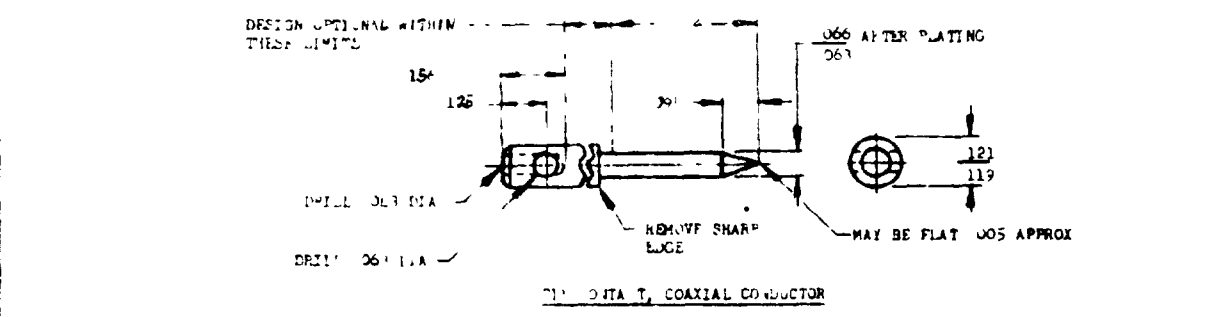
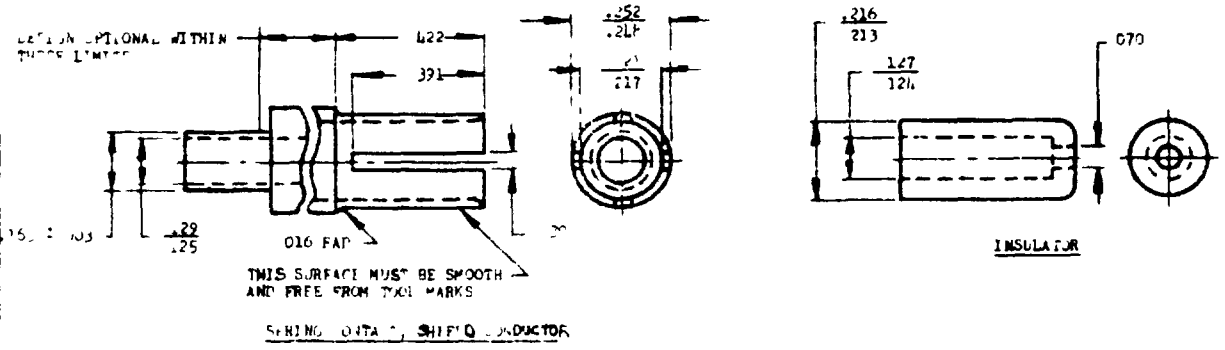


NOTICE - This Government drawing specifies an article which is used for any purpose other than in connection with a definitely related Government procurement operation of the United States Government thereby incur no responsibility nor any obligation whatsoever and the fact that the Government may have furnished technical data or information or other data is not to be regarded as an approval or endorsement of the design or other data or as a warranty, representation or assumption of liability on the part of the Government. The Government makes no representation as to the accuracy of the information furnished herein and the user of this information shall be held responsible for any errors or omissions.

This military standard is approved by the Department of Defense and is mandatory on all activities. Submit for all other engineering and design applications and for repetitive use shall be made from this document.



PRD. SUP CLASS
5935



MATERIAL: PIN CONTACT AND SLEEVE CONTACT, BRN, 1/2 HARD, COMPOSITION 22, SPEC X-B-626
 SPRING CONTACT AND SOCKET CONTACT, BRONZE HARD DRAWN, COMPOSITION A, SPEC QQ-R-330
 INSULATOR: STYRAMID, G-10, GURAL COPOLYMER OR DYN Q-200 S COPOLYMER

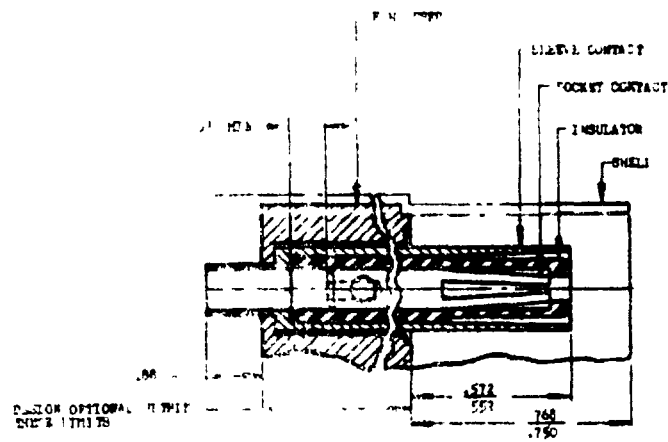
FINISH: METAL PARTS, GOLD LAYER 0.02
 DIMENSIONS IN INCHES UNLESS OTHERWISE SPECIFIED TOLERANCE DECIMALS .015

THIS STANDARD TAKES PRECEDENCE OVER DOCUMENTS REFERENCED HEREIN
 REFERENCED DOCUMENTS SHALL BE OF THE ISSUE IN EFFECT ON DATE OF INVITATIONS FOR BID

APPROVED 17 Dec 58 REVISED

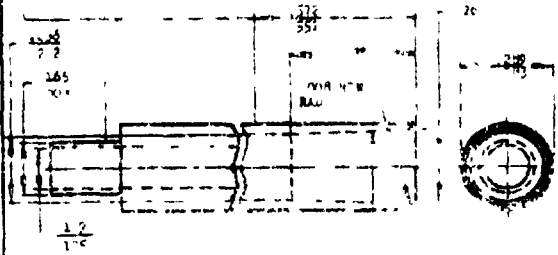
P A Nav Air Other Com Army S-10 USAF	TITLE CONTACT, VIDEO COAXIAL CONNECTOR	MILITARY STANDARD	
		MS33695	
PROCUREMENT SPECIFICATION NON-	SUPERSEDES AND REPLACES	SHEET 1	OF 2

FED SUP CLASS
543'



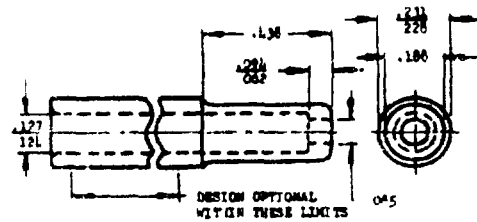
SLAVE CONTACT ASSEMBLY, COAXIAL CONNECTOR

DESIGN OPTIONAL WITHIN THESE LIMITS

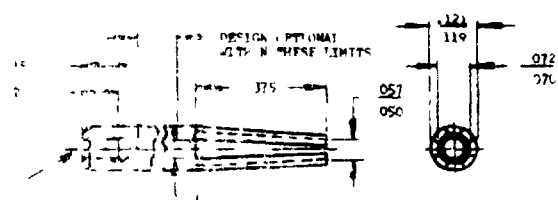


THE SURFACE MUST BE BRUAT AND PROSE FRC TOE LAR

SLAVE CONTACT, SLEEVE CONTACT



INSULATOR



SLAVE CONTACT, COAXIAL CONNECTOR

NOTES: When Component dimensions or other data are used for any purpose other than a reliability related procurement contract, the United States Government hereby disclaims any liability for any errors or omissions. The Government shall not be responsible for any errors or omissions in any drawings, specifications, or other data used in any procurement contract. The Government shall not be responsible for any errors or omissions in any drawings, specifications, or other data used in any procurement contract.

This military standard is approved by the Department of Defense and is mandatory on all DOD activities. It is not intended for use by other than DOD activities. It is not intended for use by other than DOD activities.

P/N Navy 137 Other Cont 1-4 SUP	TITLE COAXIAL CONNECTOR	MILITARY STANDARD MS33695
PROFORMING SPECIFICATION 0001	DIMENSIONS 1-1	SHEET 2 OF 2

REVISED
APPROVED